

TITLE:

EXP-PHOTOCELL

PROPRIETARY AND CONFIDENTIAL
 THE INFORMATION CONTAINED IN THIS DRAWING IS THE SOLE PROPERTY OF LARSON ELECTRONICS LLC. ANY REPRODUCTION IN PART OR AS A WHOLE WITHOUT THE WRITTEN PERMISSION OF LARSON ELECTRONICS LLC IS PROHIBITED.

UNLESS OTHERWISE NOTED:
 ANGLE: +/- .5
 .X +/- .02
 .XX +/- .01
 .XXX +/- .005

DIMENSIONS ARE IN INCHES			NAME	
Quantity	1		DRAWN	Luis Martinez
MATERIAL			CHECKED	N/A
DO NOT SCALE DRAWING			DATE	01/12/2017

SIZE	DWG. NO.	REV
A		00
SCALE: NTS		SHEET 1 OF 3

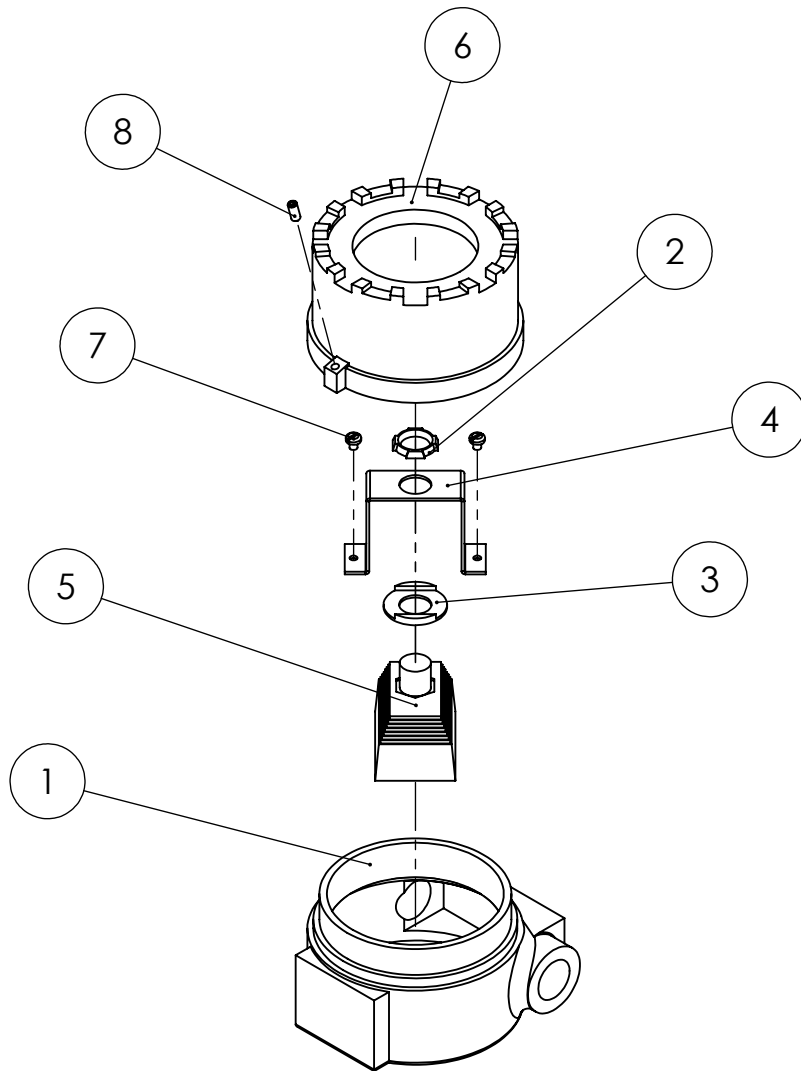
5

4

3

2

1



ITEM NO.	PART NUMBER	DESCRIPTION	QTY.
1	EXP-PHOTOCELL-Base	Base that hold the photocell and controller	1
2	EXP-PHOTOCELL-CN	Conduit nut for the photocell	1
3	EXP-PHOTOCELL-FW	Photocell foam washer	1
4	EXP-PHOTOCELL-PCMount	Hold the photocell and controller in place	1
5	EXP-PHOTOCELL-Photocell	Photocell and Photo control	1
6	EXP-PHOTOCELL-Cover	Cover for the EXP-PHOTOCELL allowing light through a glass lens	1
7	FS-PHS8-36-L0.188	#8-36 x 3/16 Pan Head Slotted Screw	2
8	FS-SSCM5-L12	M5 x 12 Cup Set Screw	1



TITLE:

EXP-PHOTOCELL

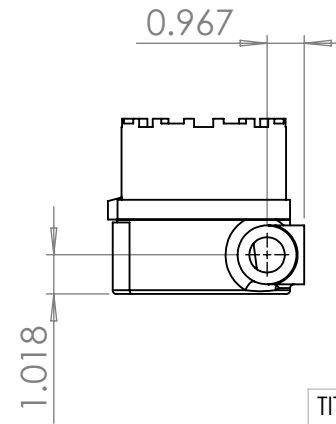
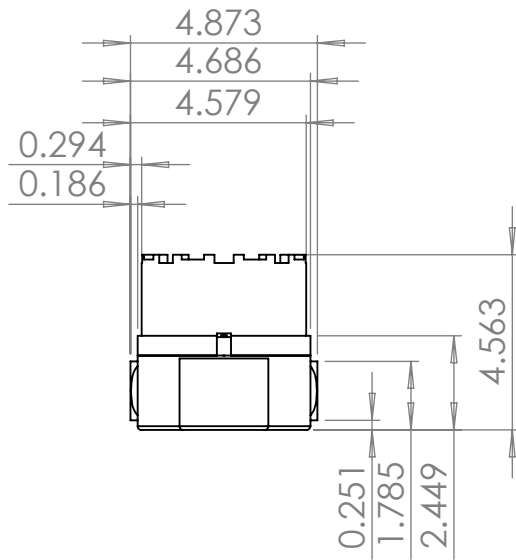
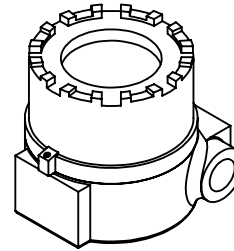
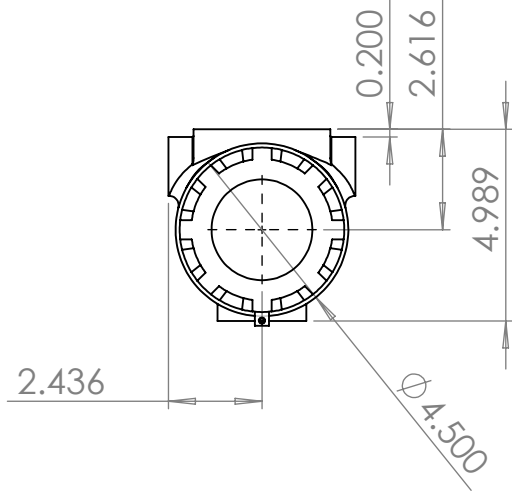
PROPRIETARY AND CONFIDENTIAL
 THE INFORMATION CONTAINED IN THIS DRAWING IS THE SOLE PROPERTY OF LARSON ELECTRONICS LLC. ANY REPRODUCTION IN PART OR AS A WHOLE WITHOUT THE WRITTEN PERMISSION OF LARSON ELECTRONICS LLC IS PROHIBITED.

UNLESS OTHERWISE NOTED:

ANGLE: +/- .5
 .X +/- .02
 .XX +/- .01
 .XXX +/- .005

DIMENSIONS ARE IN INCHES			NAME	
Quantity	1	DRAWN	Luis Martinez	
MATERIAL		CHECKED	N/A	
DO NOT SCALE DRAWING		DATE	01/12/2017	

SIZE	DWG. NO.	REV
A		00
SCALE: NTS		SHEET 2 OF 3



TITLE:
EXP-PHOTOCELL

PROPRIETARY AND CONFIDENTIAL
THE INFORMATION CONTAINED IN THIS DRAWING IS THE SOLE PROPERTY OF LARSON ELECTRONICS LLC. ANY REPRODUCTION IN PART OR AS A WHOLE WITHOUT THE WRITTEN PERMISSION OF LARSON ELECTRONICS LLC IS PROHIBITED.

UNLESS OTHERWISE NOTED:
ANGLE: +/- .5
.X +/- .02
.XX +/- .01
.XXX +/- .005

DIMENSIONS ARE IN INCHES			NAME	
Quantity	1		DRAWN	Luis Martinez
MATERIAL			CHECKED	N/A
DO NOT SCALE DRAWING			DATE	01/12/2017

SIZE	DWG. NO.	REV
A		00
SCALE: NTS		SHEET 3 OF 3