



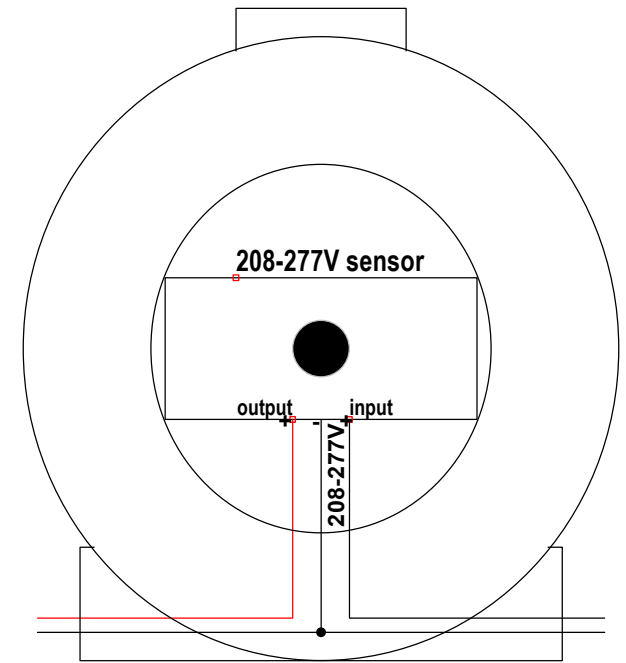
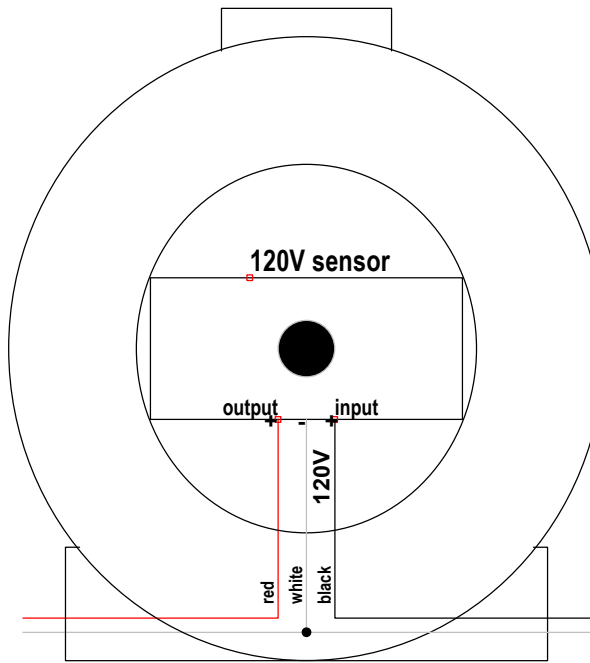
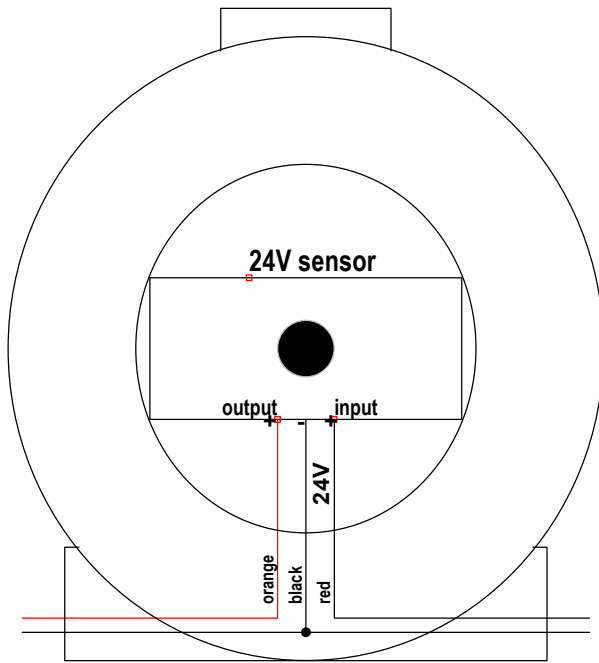
# EXP-Photocell Wiring Diagrams

Verify and Follow wiring diagram of checkmarked unit

24V

120V

208-277V



**Warning: We strongly recommend that only a licensed electrician install this product.**

Mount the unit to your desired surface using the predrilled mounting holes on either side of the unit. Make note of NPT hub locations for attaching conduit. Run conduit following all required safety protocols and codes for the location. Verify voltage indicated on nameplate and wire according to the corresponding wire diagram above.

Title EXP-PHOTOCELL		
Author David Downs		
File Jocuments\Tiny Cad Files\EXP-PHOTOCELL.dsn	Document	
Revision 1.0	Date 03/30/2017	Sheets 1 of 1