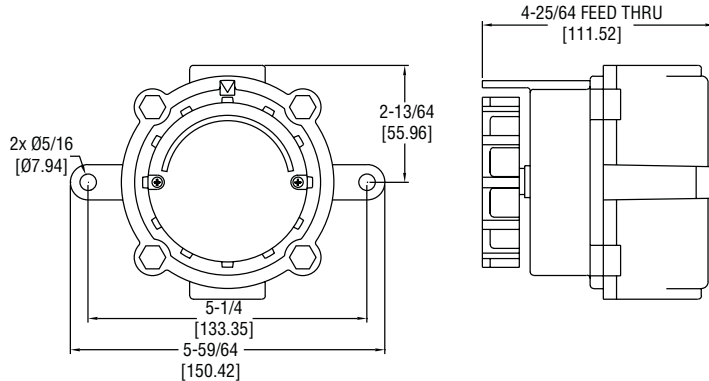


Specifications - Installation and Operating Instructions



FEATURES

- Explosion-proof enclosure
- No exposed copper or brass
- Compact and lightweight
- CFC & mercury free
- Precision die-cast components
- Bimetal sensing element
- Corrosion resistant suitable for H₂S environments
- Fast acting, reliable, unaffected by altitude

Explosion-proof, heavy duty, the Thermostat is designed for hazardous-location temperature control. It is the most dependable, smallest, lightest and most durable thermostat available. The EXP-TSTAT is designed to control heating, cooling, or ventilation systems and features an adjustable set point knob for easy and convenient setpoint adjustment. The thermostat incorporates reliable snap action switch operation in SPDT configuration rated to 480 VAC max.

APPLICATIONS

Oil refineries, petrochemical plants, pulp and paper mills, coal mines, grain elevators, hazardous waste water storage facilities, other hazardous locations where specific explosion gases or dusts are present.

INSTALLATION

CAUTION: Electrician must have experience with Hazardous Location equipment. Disconnect and lock off power supply before wiring or servicing. All wiring must comply with local codes and ordinances.

1. Mount thermostat approximately 5 ft (1.5 m) above the floor where average room temperature will be sensed and air circulates freely. Keep thermostat away from hot and cold surfaces.
2. Wire switch terminals as per Fig. 1 or 2.
3. Install the cover using the 4 bolts supplied and tighten.
4. Fill any conduit opening using plug supplied.

SPECIFICATIONS

Service: Compatible gases.

Temperature Limit: -49 to 176°F (-45 to 80°C).

Electrical Rating: Explosion-proof NEMA 7 & 9, Class I, Divisions 1 & 2, Groups C & D, Class II, Division 1, Groups E, F & G; Class II, Division 2, Groups F & G; Class III; Class I, Zones 1 & 2, Groups IIA & IIB.

Switch Type: SPDT snap action switch.

Electrical Rating: 22 A @ 480 VAC (res.), 1/2 HP @ 125 VAC, 1 HP @ 250 VAC.

Electrical Connection: Screw terminal.

Conduit Connection: 3/4" female NPT.

Set Point Adjustment: External knob.

Adjustment Range: 36 to 82°F (2 to 28°C).

Deadband: 2.5°F (1.5°C).

Weight: 2.1 lb (0.95 kg).

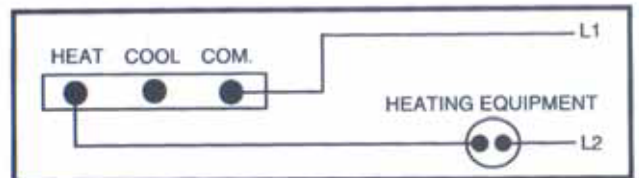


Fig. 1 Heating

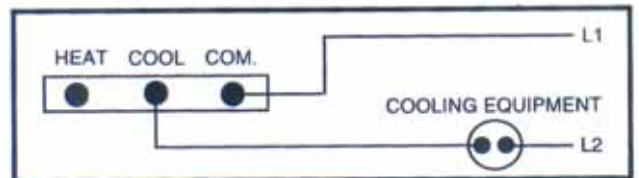


Fig. 2 Cooling

MAINTENANCE

The Series Thermostat is not field serviceable and should be returned if repair is needed (field repair should not be attempted and may void warranty). Be sure to include a brief description of the problem plus any relevant application notes. Contact customer service to receive a return goods authorization number before shipping.