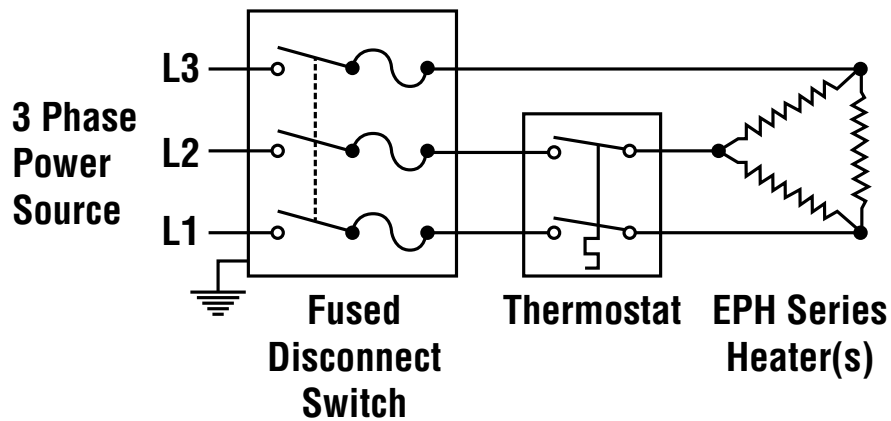


Wiring Diagram

WARNING: DO NOT SERVICE WHILE ENERGIZED!

EXP-TSTAT-DPDT-120.480-90F



Three Phase AC heater circuit where line voltage and current do not exceed thermostat rating. Circuit does not have a “positive” off.