

**PROPRIETARY AND CONFIDENTIAL**  
 THE INFORMATION CONTAINED IN THIS DRAWING IS THE SOLE PROPERTY OF LARSON ELECTRONICS LLC. ANY REPRODUCTION IN PART OR AS A WHOLE WITHOUT THE WRITTEN PERMISSION OF LARSON ELECTRONICS LLC IS PROHIBITED.

DIMENSIONS ARE IN INCHES		DRAWN	NAME
MATERIAL		CHECKED	CHRIS THAUER
DO NOT SCALE DRAWING			JEREMY BLANKENSHIP

TITLE:		
EXPCMR-ALG-1080P-IC-16.7-25-L21.20-1227		
SIZE	DWG. NO.	REV
<b>A</b>		
SCALE: 1:3		SHEET 1 OF 2

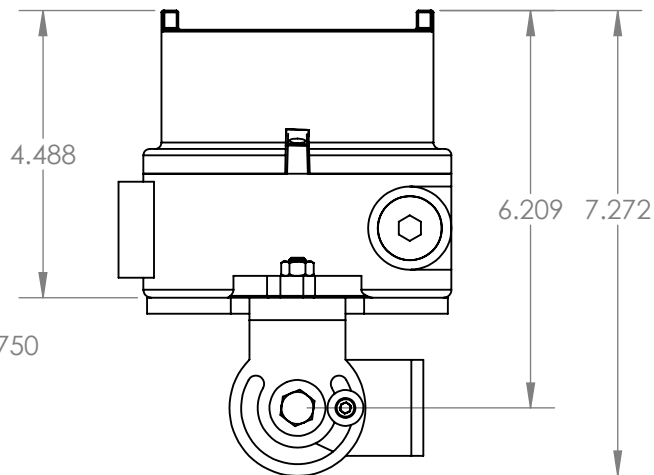
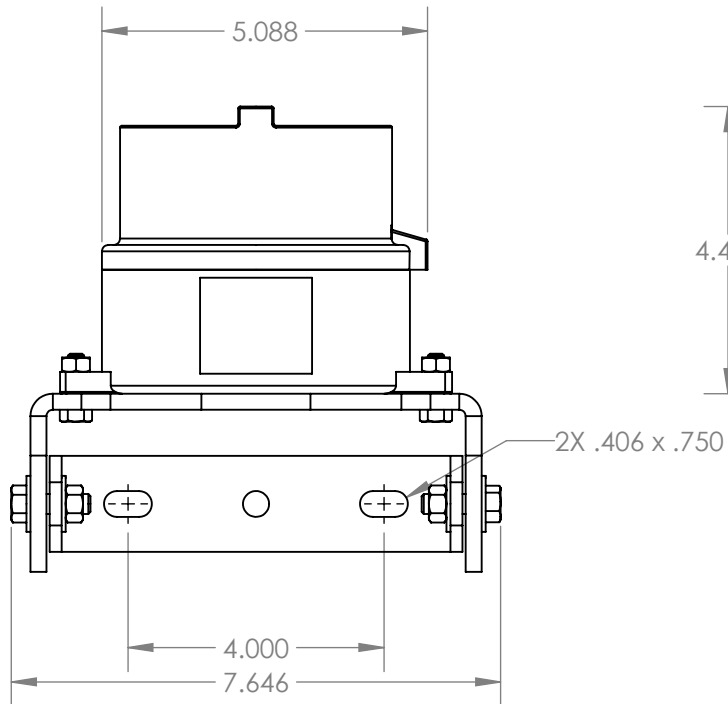
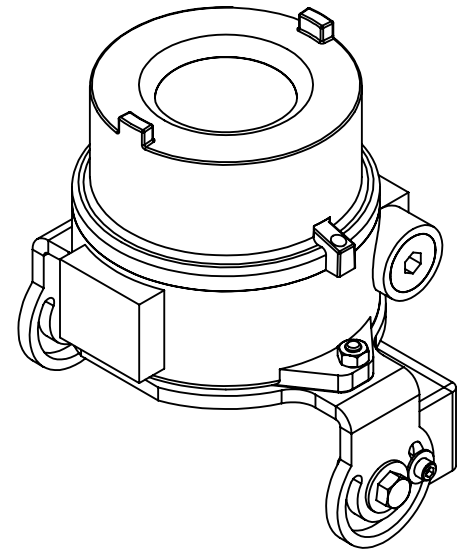
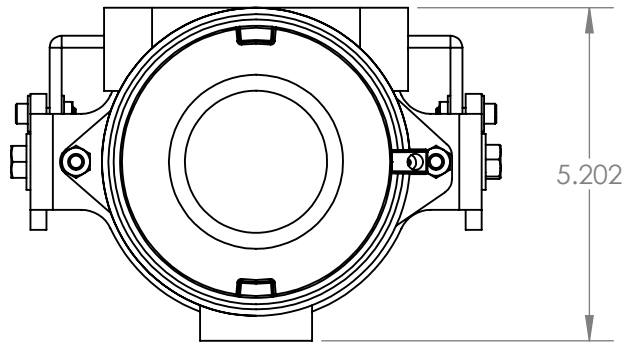
5

4

3

2

1



**PROPRIETARY AND CONFIDENTIAL**  
 THE INFORMATION CONTAINED IN THIS DRAWING IS THE SOLE PROPERTY OF LARSON ELECTRONICS LLC. ANY REPRODUCTION IN PART OR AS A WHOLE WITHOUT THE WRITTEN PERMISSION OF LARSON ELECTRONICS LLC IS PROHIBITED.

TITLE:  
**EXPCMR-ALG-1080P-IC-16.7-25-L21.20-1227**

DIMENSIONS ARE IN INCHES		DRAWN	NAME	SIZE	DWG. NO.	REV
MATERIAL		CHECKED	CHRIS THAUER	<b>A</b>		
DO NOT SCALE DRAWING			JEREMY BLANKENSHIP			
				SCALE: 1:3	SHEET 2 OF 2	

5

4

3

2

1