

TITLE:
**EXPCMR-ALG-1080P-
 SGM-1227**

PROPRIETARY AND CONFIDENTIAL
 THE INFORMATION CONTAINED IN THIS
 DRAWING IS THE SOLE PROPERTY OF
 LARSON ELECTRONICS LLC. ANY
 REPRODUCTION IN PART OR AS A WHOLE
 WITHOUT THE WRITTEN PERMISSION OF
 LARSON ELECTRONICS LLC IS
 PROHIBITED.

DIMENSIONS ARE IN INCHES				
DO NOT SCALE DRAWING	DATE	08/01/2017	SCALE: NTS	SHEET 3 OF 4

SIZE A	DWG. NO.	REV
------------------	----------	-----

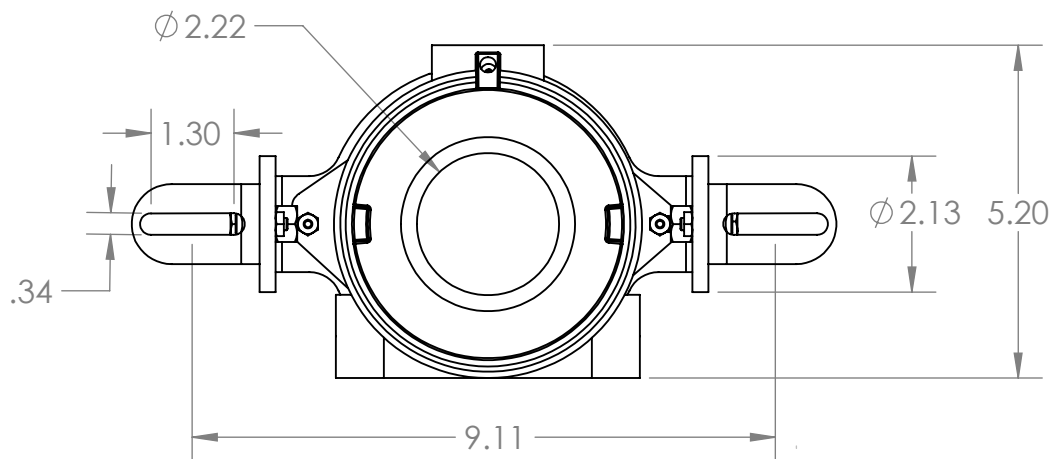
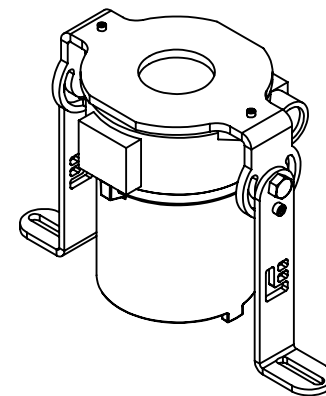
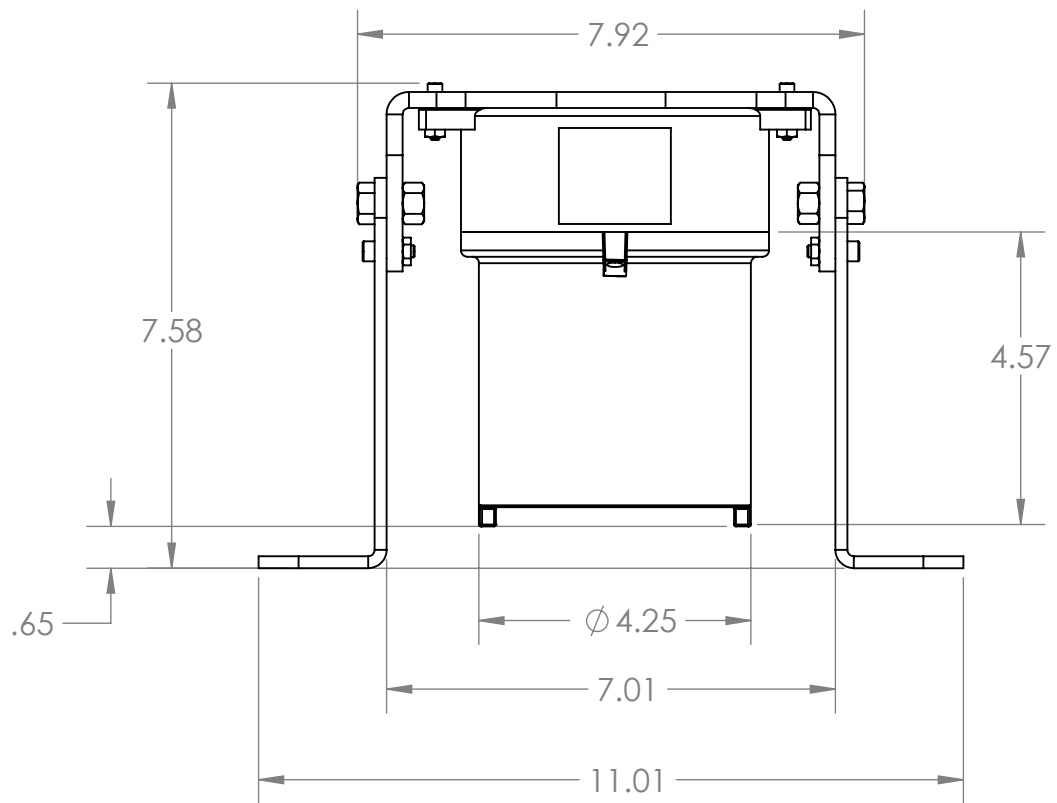
5

4

3

2

1



PROPRIETARY AND CONFIDENTIAL
 THE INFORMATION CONTAINED IN THIS DRAWING IS THE SOLE PROPERTY OF LARSON ELECTRONICS LLC. ANY REPRODUCTION IN PART OR AS A WHOLE WITHOUT THE WRITTEN PERMISSION OF LARSON ELECTRONICS LLC IS PROHIBITED.

DIMENSIONS ARE IN INCHES			
DO NOT SCALE DRAWING	DATE	08/01/2017	
SCALE: NTS			SHEET 4 OF 4

TITLE:
EXPCMR-ALG-1080P-SGM-1227

SIZE A	DWG. NO.	REV
------------------	----------	-----