

6 5 4 3 2 1

F

E

D

C

B

A

F

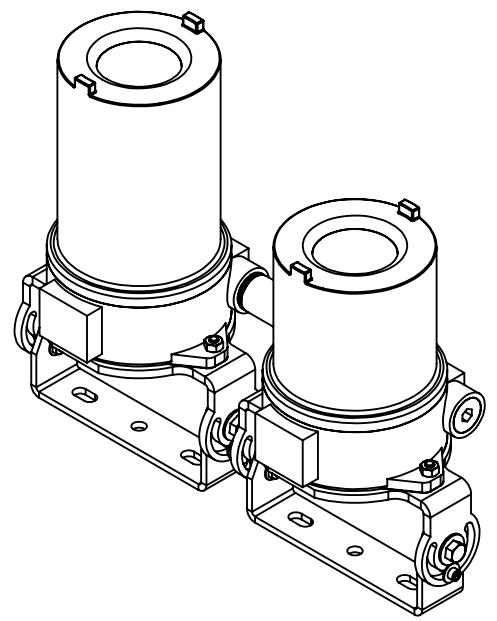
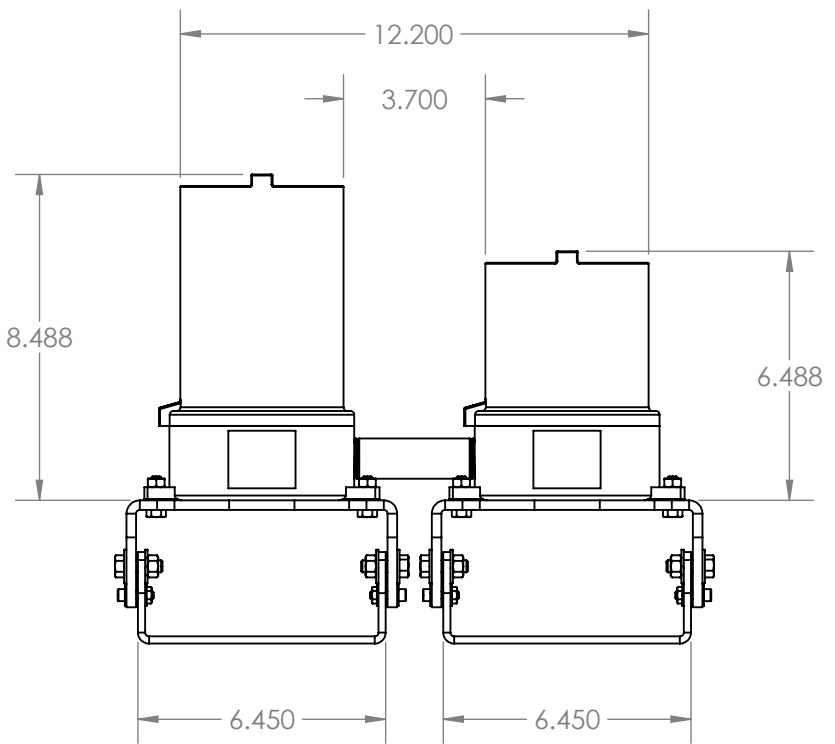
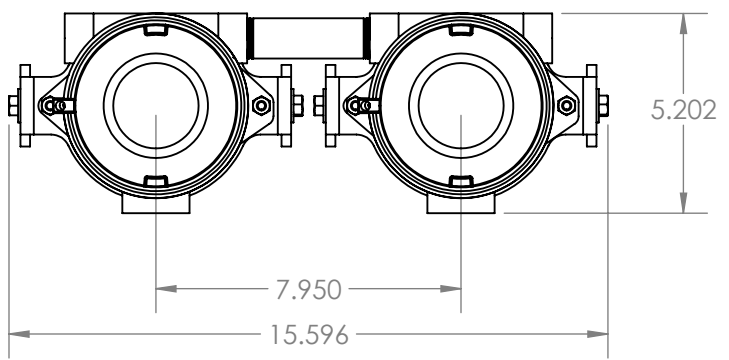
E

D

C

B

A



TITLE:		
<b>EXPCMR-ALG-OZ-IC-1080P-LE1</b>		
SIZE	DWG. NO.	REV
<b>A</b>		
SCALE: NTS		SHEET 1 OF 3

FINISH		NAME
SURFACE AREA [sq. in]		CHRISTOPHER THAUER
DIMENSIONS ARE IN INCHES	DRAWN	
MATERIAL	CHECKED	N/A
DO NOT SCALE DRAWING	DATE	5/27/2021

**PROPRIETARY AND CONFIDENTIAL**  
 THE INFORMATION CONTAINED IN THIS DRAWING IS THE SOLE PROPERTY OF LARSON ELECTRONICS LLC. ANY REPRODUCTION IN PART OR AS A WHOLE WITHOUT THE WRITTEN PERMISSION OF LARSON ELECTRONICS LLC IS PROHIBITED.

UNLESS OTHERWISE NOTED:  
 Angle +/- .5 deg  
 .X +/- .02  
 .XX +/- .01  
 .XXX +/- .005

6 5 4 3 2 1

6

5

4

3

2

1

F

F

E

E

D

D

C

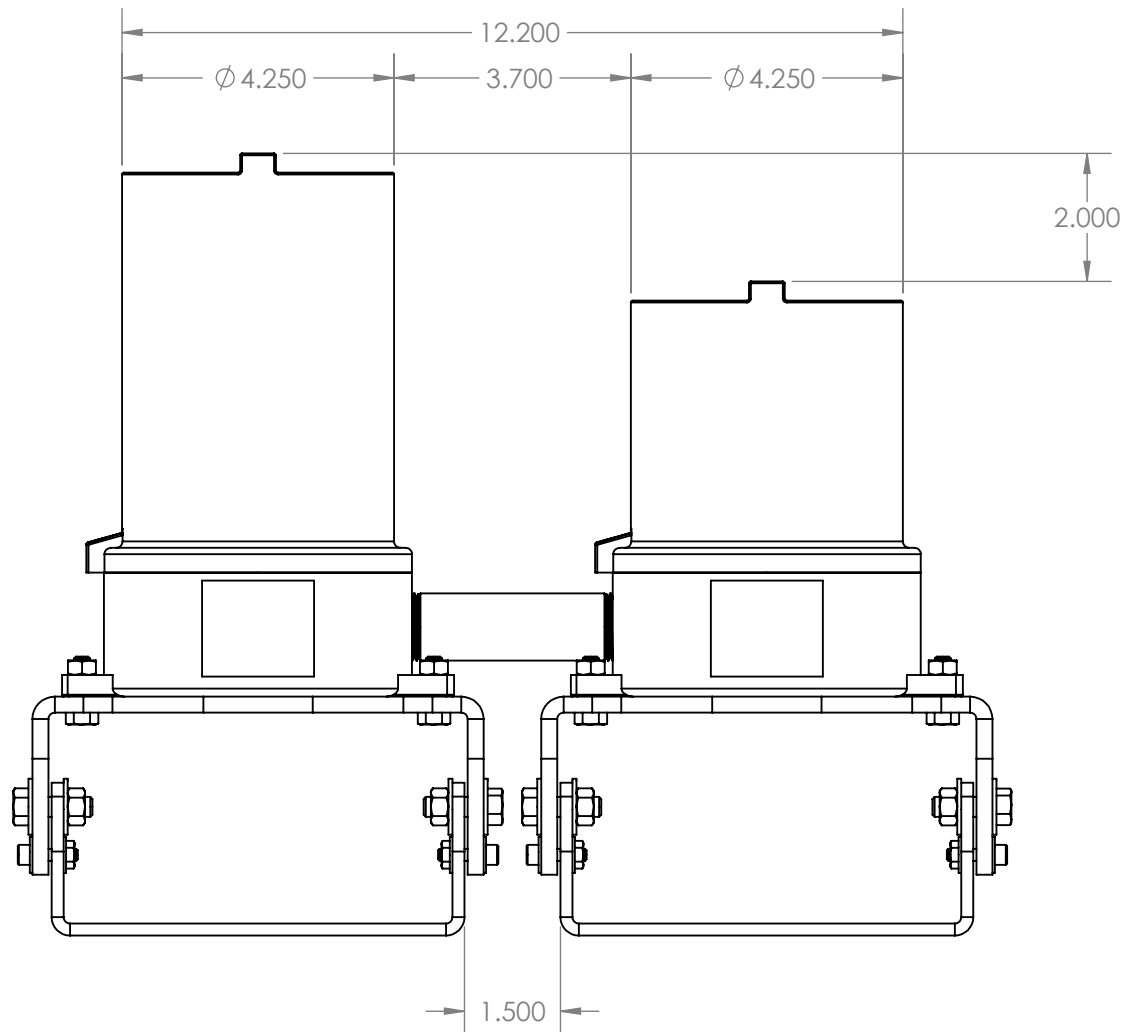
C

B

B

A

A



TITLE:		
<b>EXPCMR-ALG-OZ-IC-1080P-LE1</b>		
SIZE	DWG. NO.	REV
<b>A</b>		
SCALE: NTS		SHEET 2 OF 3

FINISH		NAME
SURFACE AREA [sq. in.]		DRAWN
DIMENSIONS ARE IN INCHES		CHRISTOPHER THAUER
MATERIAL		CHECKED
		N/A
DO NOT SCALE DRAWING	DATE	5/27/2021

**PROPRIETARY AND CONFIDENTIAL**  
 THE INFORMATION CONTAINED IN THIS DRAWING IS THE SOLE PROPERTY OF LARSON ELECTRONICS LLC. ANY REPRODUCTION IN PART OR AS A WHOLE WITHOUT THE WRITTEN PERMISSION OF LARSON ELECTRONICS LLC IS PROHIBITED.

UNLESS OTHERWISE NOTED:  
 Angle +/- .5 deg  
 .X +/- .02  
 .XX +/- .01  
 .XXX +/- .005

6

5

4

3

2

1

6

5

4

3

2

1

F

F

E

E

D

D

C

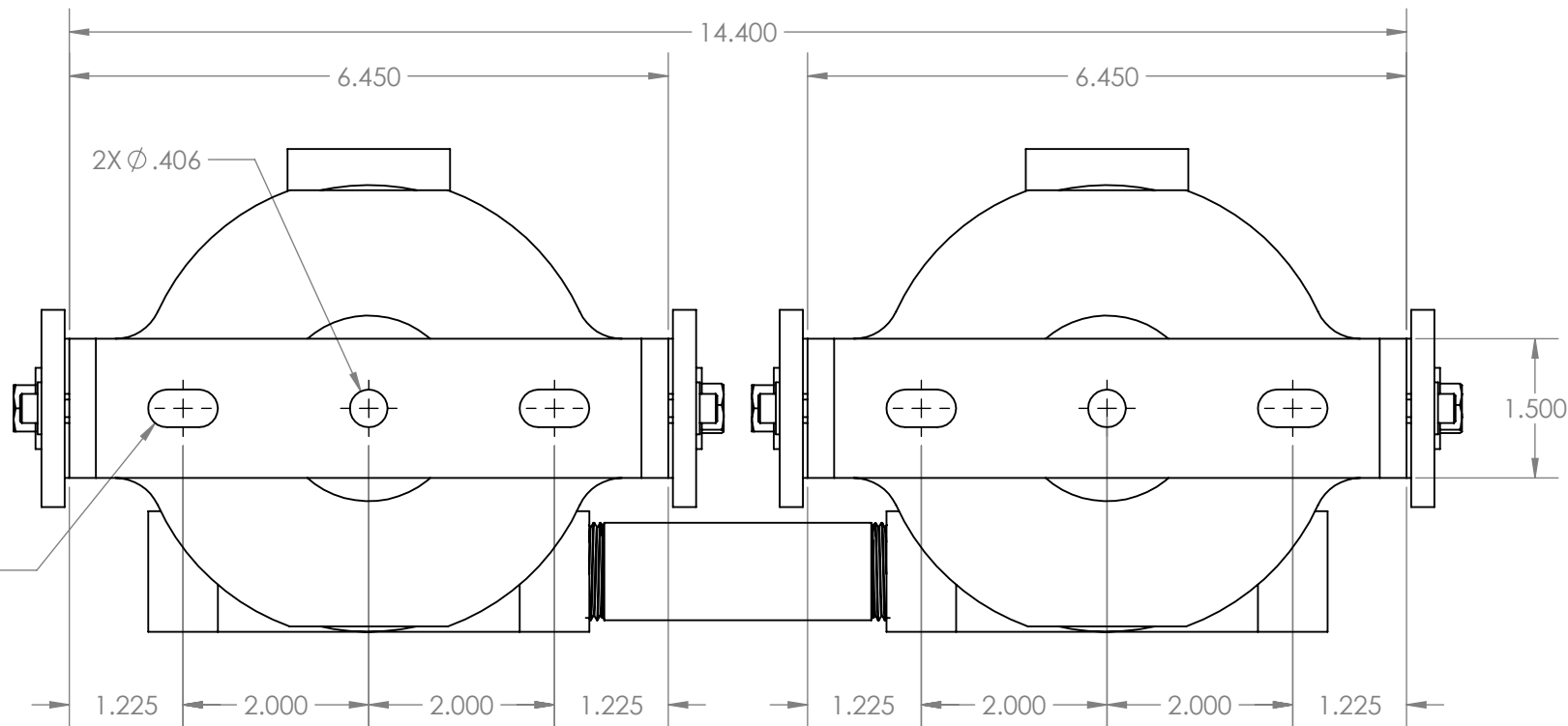
C

B

B

A

A



TITLE:		
<b>EXPCMR-ALG-OZ-IC-1080P-LE1</b>		
SIZE	DWG. NO.	REV
<b>A</b>		
SCALE: NTS		SHEET 3 OF 3

FINISH		NAME
SURFACE AREA [sq. in.]		CHRISTOPHER THAUER
DIMENSIONS ARE IN INCHES	DRAWN	
MATERIAL	CHECKED	N/A
DO NOT SCALE DRAWING	DATE	5/27/2021

**PROPRIETARY AND CONFIDENTIAL**  
 THE INFORMATION CONTAINED IN THIS DRAWING IS THE SOLE PROPERTY OF LARSON ELECTRONICS LLC. ANY REPRODUCTION IN PART OR AS A WHOLE WITHOUT THE WRITTEN PERMISSION OF LARSON ELECTRONICS LLC IS PROHIBITED.

UNLESS OTHERWISE NOTED:  
 Angle +/- .5 deg  
 .X +/- .02  
 .XX +/- .01  
 .XXX +/- .005

6

5

4

3

2

1