

TITLE:  
**EXPCMR-IP-POE-2MP-IR-108D**

PROPRIETARY AND CONFIDENTIAL  
THE INFORMATION CONTAINED IN THIS  
DRAWING IS THE SOLE PROPERTY OF  
LARSON ELECTRONICS LLC. ANY  
REPRODUCTION IN PART OR AS A WHOLE  
WITHOUT THE WRITTEN PERMISSION OF  
LARSON ELECTRONICS LLC IS  
PROHIBITED.

DIMENSIONS ARE IN INCHES		DRAWN	NAME	SIZE	DWG. NO.	REV
MATERIAL		CHECKED	CHRIS THAUER	A		
DO NOT SCALE DRAWING			JEREMY BLANKENSHIP			
				SCALE: 1:3	SHEET 1 OF 2	

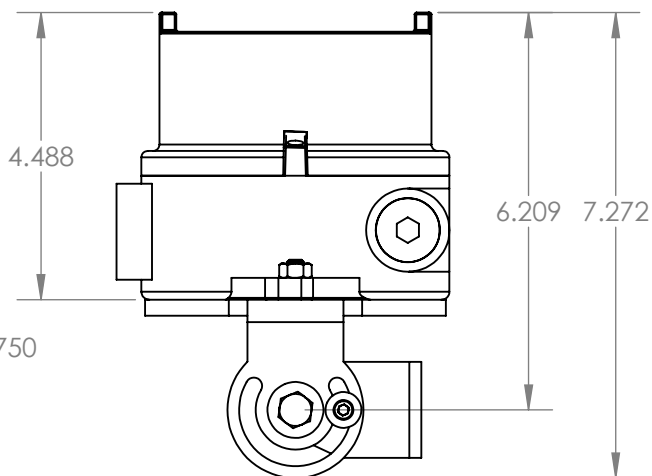
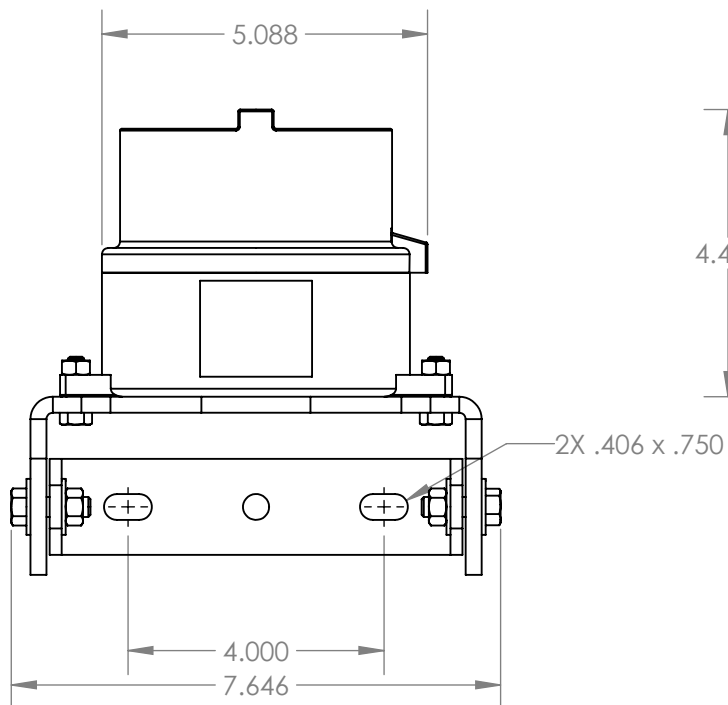
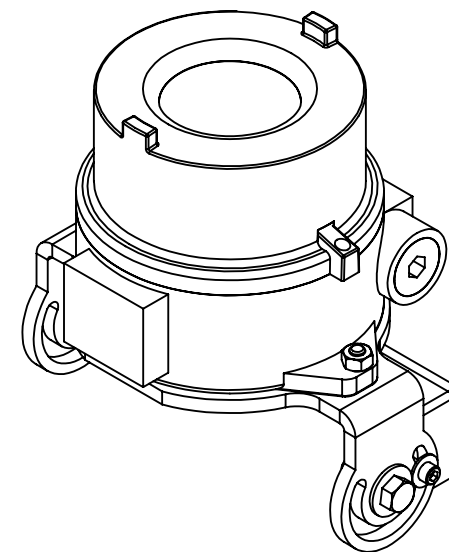
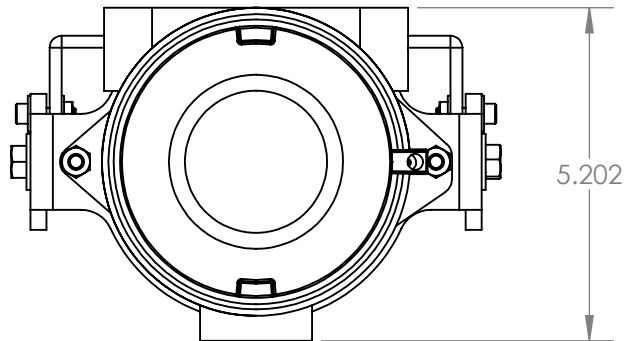
5

4

3

2

1



TITLE:  
**EXPCMR-IP-POE-2MP-IR-108D**

PROPRIETARY AND CONFIDENTIAL  
THE INFORMATION CONTAINED IN THIS  
DRAWING IS THE SOLE PROPERTY OF  
LARSON ELECTRONICS LLC. ANY  
REPRODUCTION IN PART OR AS A WHOLE  
WITHOUT THE WRITTEN PERMISSION OF  
LARSON ELECTRONICS LLC IS  
PROHIBITED.

DIMENSIONS ARE IN INCHES		DRAWN	NAME	SIZE	DWG. NO.	REV
MATERIAL		CHECKED	CHRIS THAUER	A		
DO NOT SCALE DRAWING			JEREMY BLANKENSHIP			
				SCALE: 1:3	SHEET 2 OF 2	

5

4

3

2

1