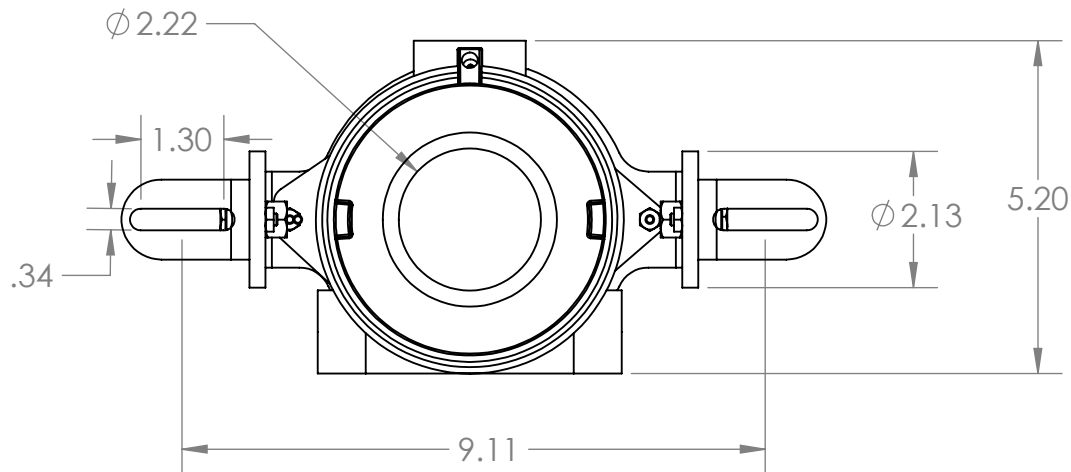
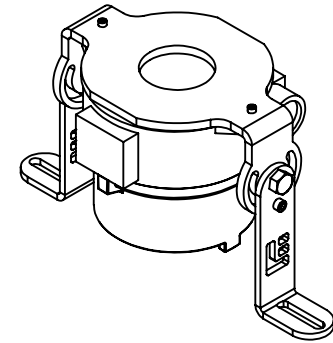
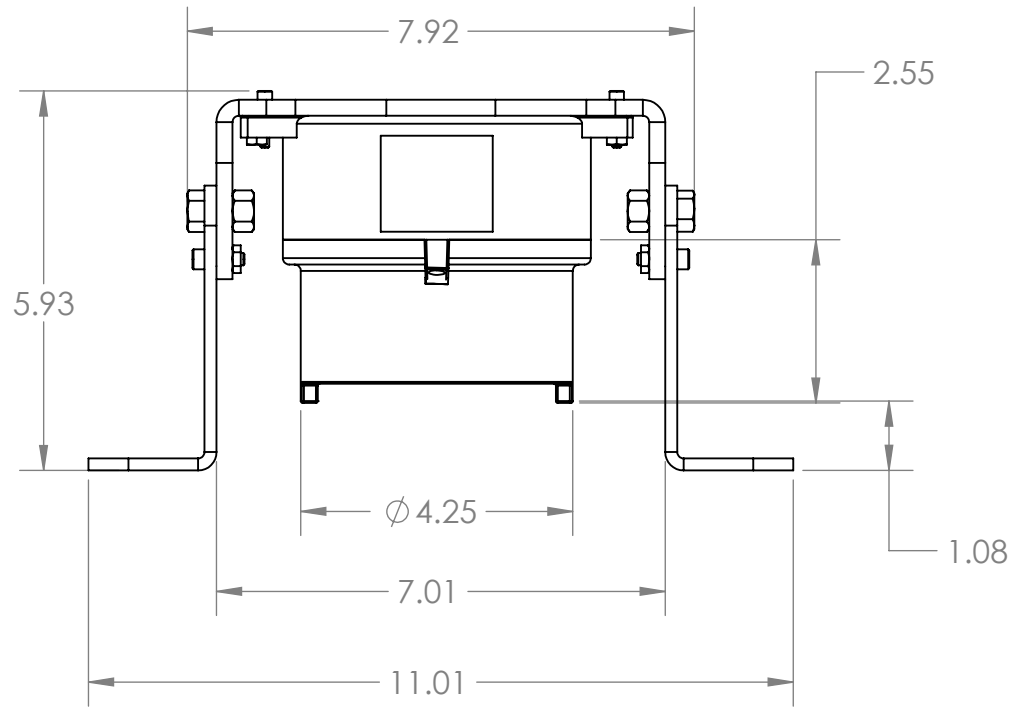


**PROPRIETARY AND CONFIDENTIAL**  
 THE INFORMATION CONTAINED IN THIS DRAWING IS THE SOLE PROPERTY OF LARSON ELECTRONICS LLC. ANY REPRODUCTION IN PART OR AS A WHOLE WITHOUT THE WRITTEN PERMISSION OF LARSON ELECTRONICS LLC IS PROHIBITED.

TITLE:  
**EXPCMR-IP-POE-4MP-IR-SGM**

SIZE <b>A</b>	DWG. NO.	REV
SCALE: NTS	SHEET 1 OF 4	

DIMENSIONS ARE IN INCHES		
DO NOT SCALE DRAWING	DATE	08/01/2017



TITLE:  
**EXPCMR-IP-POE-  
 4MP-IR-SGM**

SIZE <b>A</b>	DWG. NO.	REV
------------------	----------	-----

**PROPRIETARY AND CONFIDENTIAL**  
 THE INFORMATION CONTAINED IN THIS DRAWING IS THE SOLE PROPERTY OF LARSON ELECTRONICS LLC. ANY REPRODUCTION IN PART OR AS A WHOLE WITHOUT THE WRITTEN PERMISSION OF LARSON ELECTRONICS LLC IS PROHIBITED.

DIMENSIONS ARE IN INCHES			DATE	08/01/2017	SCALE: NTS	SHEET 2 OF 4
DO NOT SCALE DRAWING			DATE	08/01/2017	SCALE: NTS	SHEET 2 OF 4