

6

5

4

3

2

1

F

F

E

E

D

D

C

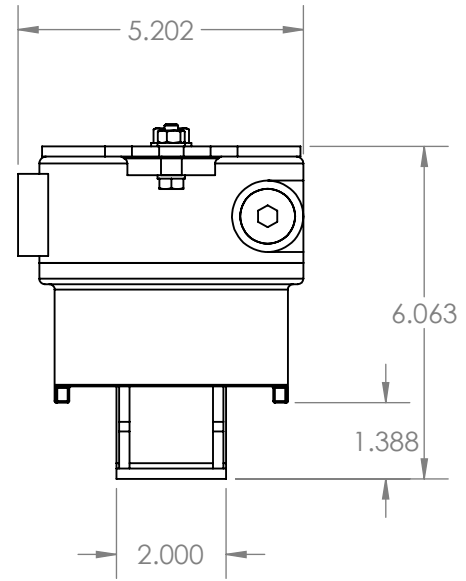
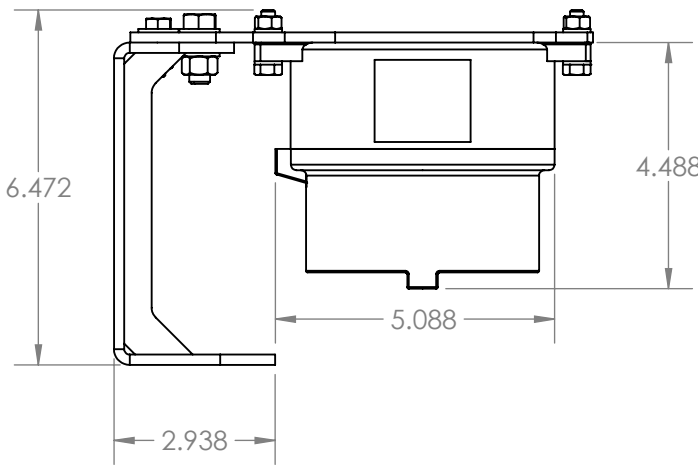
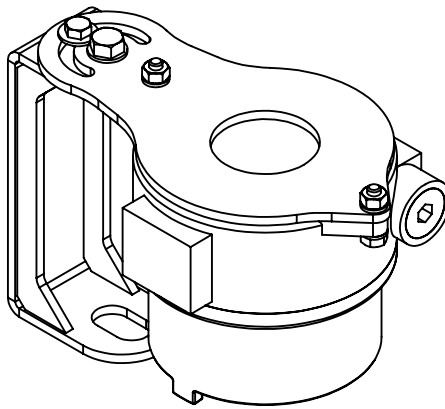
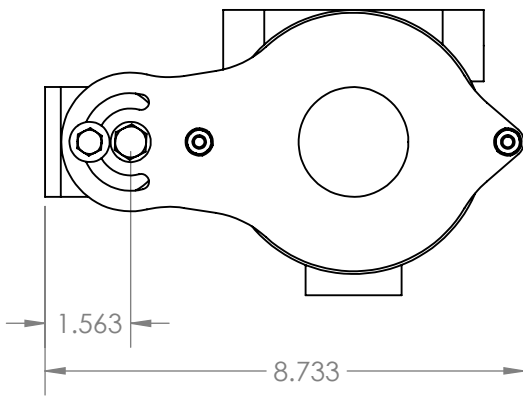
C

B

B

A

A



PROPRIETARY AND CONFIDENTIAL
 THE INFORMATION CONTAINED IN THIS DRAWING IS THE SOLE PROPERTY OF LARSON ELECTRONICS LLC. ANY REPRODUCTION IN PART OR AS A WHOLE WITHOUT THE WRITTEN PERMISSION OF LARSON ELECTRONICS LLC IS PROHIBITED.

UNLESS OTHERWISE NOTED:
 Angle +/- .5 deg
 .X +/- .02
 .XX +/- .01
 .XXX +/- .005

FINISH		NAME	
SURFACE AREA [sq. in]		DRAWN	CHRISTOPHER THAUER
DIMENSIONS ARE IN INCHES		CHECKED	N/A
MATERIAL		DATE	1/5/2021
DO NOT SCALE DRAWING			

TITLE:		
EXPCMR-IP-POE-4MP-IR-SGM-FB-4DA		
SIZE	DWG. NO.	REV
A		
SCALE: NTS		SHEET 1 OF 3

6

5

4

3

2

1

6

5

4

3

2

1

F

F

E

E

D

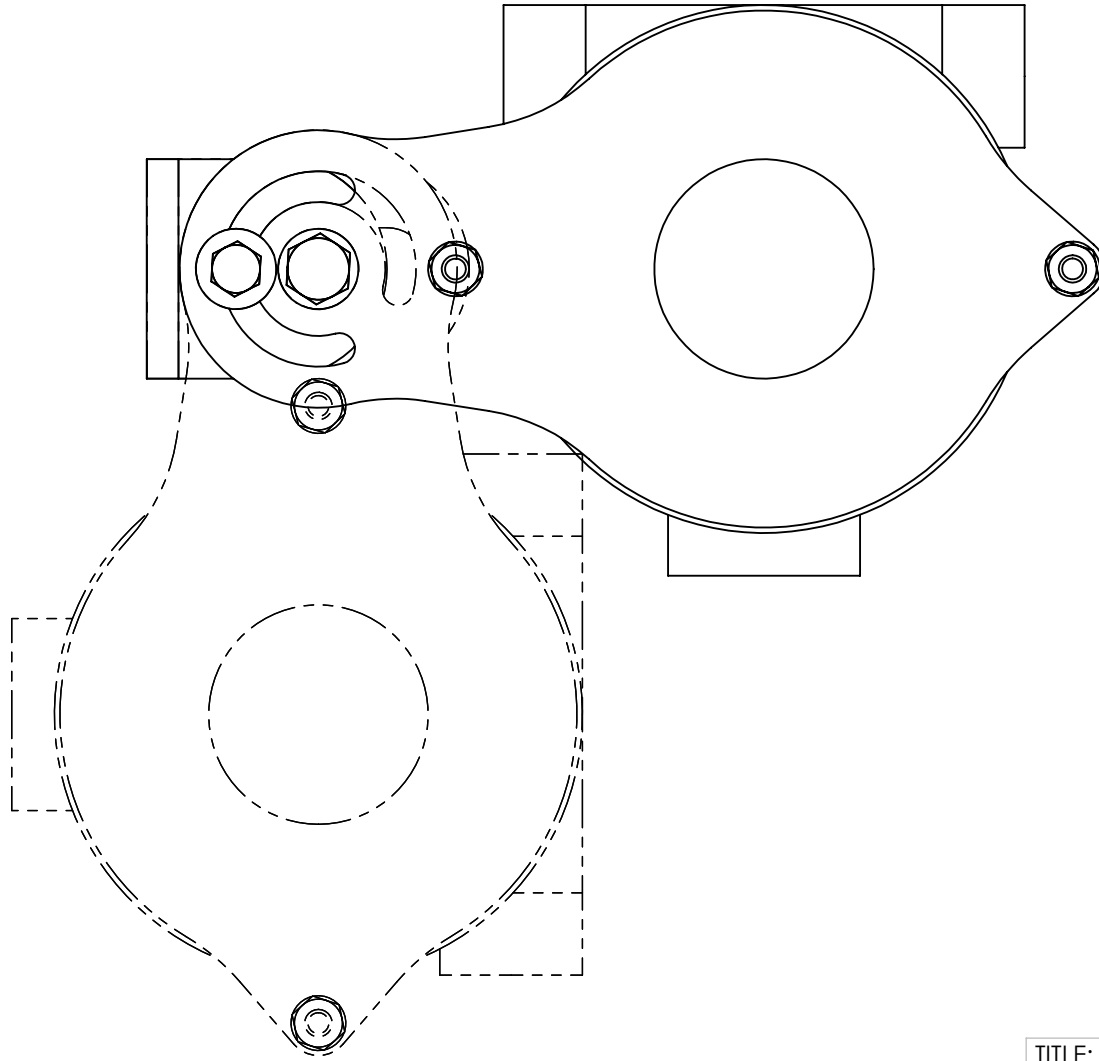
D

C

C

B

B



TITLE:		
EXPCMR-IP-POE-4MP-IR- SGM-FB-4DA		
SIZE	DWG. NO.	REV
A		
SCALE: NTS		SHEET 2 OF 3

FINISH		NAME
SURFACE AREA [sq. in.]		DRAWN
DIMENSIONS ARE IN INCHES		CHRISTOPHER THAUER
MATERIAL		CHECKED
		N/A
DO NOT SCALE DRAWING	DATE	1/5/2021

PROPRIETARY AND CONFIDENTIAL
 THE INFORMATION CONTAINED IN THIS DRAWING IS THE SOLE PROPERTY OF LARSON ELECTRONICS LLC. ANY REPRODUCTION IN PART OR AS A WHOLE WITHOUT THE WRITTEN PERMISSION OF LARSON ELECTRONICS LLC IS PROHIBITED.

UNLESS OTHERWISE NOTED:
 Angle +/- .5 deg
 .X +/- .02
 .XX +/- .01
 .XXX +/- .005

6

5

4

3

2

1

A

A

6

5

4

3

2

1

F

F

E

E

D

D

C

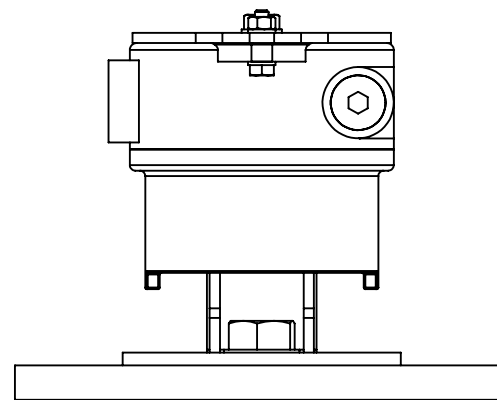
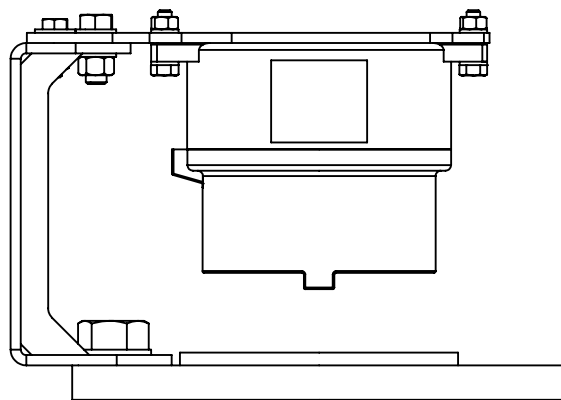
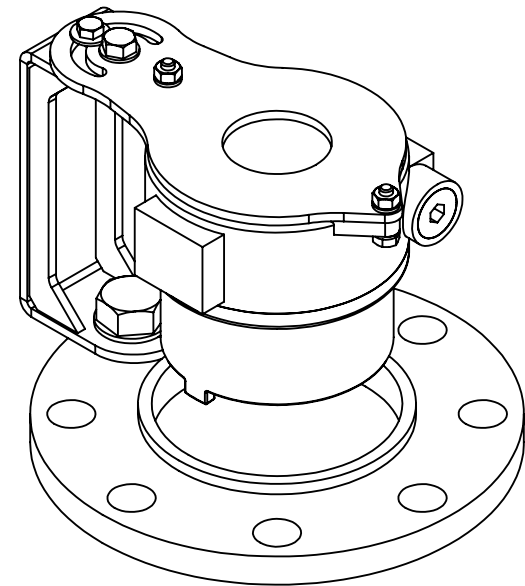
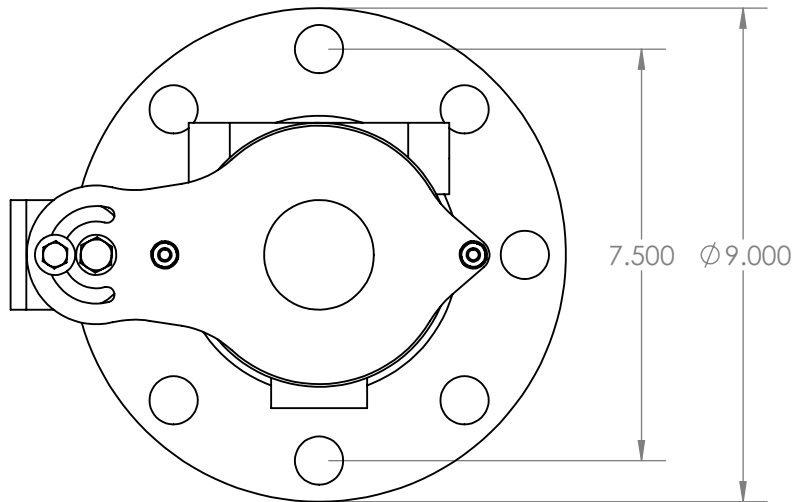
C

B

B

A

A



PROPRIETARY AND CONFIDENTIAL
 THE INFORMATION CONTAINED IN THIS DRAWING IS THE SOLE PROPERTY OF LARSON ELECTRONICS LLC. ANY REPRODUCTION IN PART OR AS A WHOLE WITHOUT THE WRITTEN PERMISSION OF LARSON ELECTRONICS LLC IS PROHIBITED.

UNLESS OTHERWISE NOTED:
 Angle +/- .5 deg
 .X +/- .02
 .XX +/- .01
 .XXX +/- .005

FINISH			
SURFACE AREA [sq. in]			NAME
DIMENSIONS ARE IN INCHES		DRAWN	CHRISTOPHER THAUER
MATERIAL		CHECKED	N/A
DO NOT SCALE DRAWING		DATE	1/5/2021

TITLE:			
EXPCMR-IP-POE-4MP-IR-SGM-FB-4DA			
SIZE	DWG. NO.	REV	
A			
SCALE: NTS		SHEET 3 OF 3	

6

5

4

3

2

1