

TITLE:  
**EXPCMR-IP-POE-8MP**  
**102D-1XLE3-1227**

FINISH		NAME	
SURFACE AREA [sq. in.]		DRAWN	CHRISTOPHER THAUER
DIMENSIONS ARE IN INCHES		CHECKED	N/A
MATERIAL		DATE	12/18/2019
DO NOT SCALE DRAWING			

SIZE	DWG. NO.	REV
<b>A</b>		
SCALE: NTS		SHEET 1 OF 2

**PROPRIETARY AND CONFIDENTIAL**  
 THE INFORMATION CONTAINED IN THIS DRAWING IS THE SOLE PROPERTY OF LARSON ELECTRONICS LLC. ANY REPRODUCTION IN PART OR AS A WHOLE WITHOUT THE WRITTEN PERMISSION OF LARSON ELECTRONICS LLC IS PROHIBITED.

UNLESS OTHERWISE NOTED:  
 Angle +/- .5 deg  
 .X +/- .02  
 .XX +/- .01  
 .XXX +/- .005

F  
E  
D  
C  
B  
A

F  
E  
D  
C  
B  
A

6  
5  
4  
3  
2  
1

6  
5  
4  
3  
2  
1

6  
5  
4  
3  
2  
1

6  
5  
4  
3  
2  
1

6  
5  
4  
3  
2  
1

6  
5  
4  
3  
2  
1

6

5

4

3

2

1

F

F

E

E

D

D

C

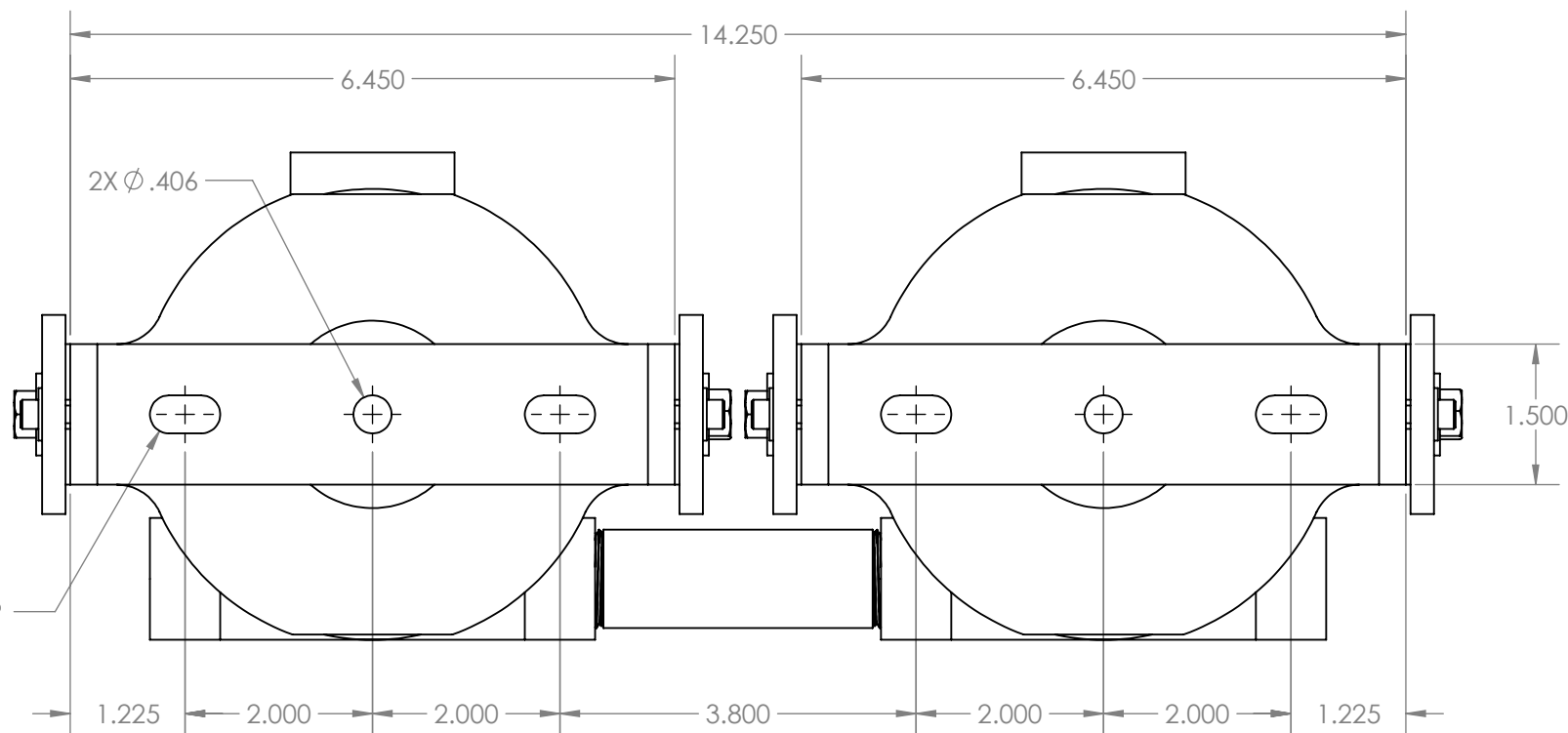
C

B

B

A

A



TITLE:  
**EXPCMR-IP-POE-8MP  
102D-1XLE3-1227**

FINISH		NAME	
SURFACE AREA [sq. in]		DRAWN	CHRISTOPHER THAUER
DIMENSIONS ARE IN INCHES		CHECKED	N/A
MATERIAL		DATE	12/18/2019
DO NOT SCALE DRAWING			

SIZE	DWG. NO.	REV
<b>A</b>		
SCALE: NTS		SHEET 2 OF 2

**PROPRIETARY AND CONFIDENTIAL**  
THE INFORMATION CONTAINED IN THIS DRAWING IS THE SOLE PROPERTY OF LARSON ELECTRONICS LLC. ANY REPRODUCTION IN PART OR AS A WHOLE WITHOUT THE WRITTEN PERMISSION OF LARSON ELECTRONICS LLC IS PROHIBITED.

UNLESS OTHERWISE NOTED:  
Angle +/- .5 deg  
.X +/- .02  
.XX +/- .01  
.XXX +/- .005

6

5

4

3

2

1