

TITLE:
**EXPCMR-IP-
POE-8MP-102D-1XLE1-24V**

FINISH		NAME	
SURFACE AREA [sq. in.]		DRAWN	CHRISTOPHER THAUER
DIMENSIONS ARE IN INCHES		CHECKED	N/A
MATERIAL		DATE	12/18/2019
DO NOT SCALE DRAWING			

SIZE	DWG. NO.	REV
A		
SCALE: NTS		SHEET 1 OF 2

PROPRIETARY AND CONFIDENTIAL
THE INFORMATION CONTAINED IN THIS DRAWING IS THE SOLE PROPERTY OF LARSON ELECTRONICS LLC. ANY REPRODUCTION IN PART OR AS A WHOLE WITHOUT THE WRITTEN PERMISSION OF LARSON ELECTRONICS LLC IS PROHIBITED.

UNLESS OTHERWISE NOTED:
Angle +/- .5 deg
.X +/- .02
.XX +/- .01
.XXX +/- .005

6

5

4

3

2

1

6

5

4

3

2

1

F

E

D

C

B

A

F

E

D

C

B

A

6

5

4

3

2

1

F

F

E

E

D

D

C

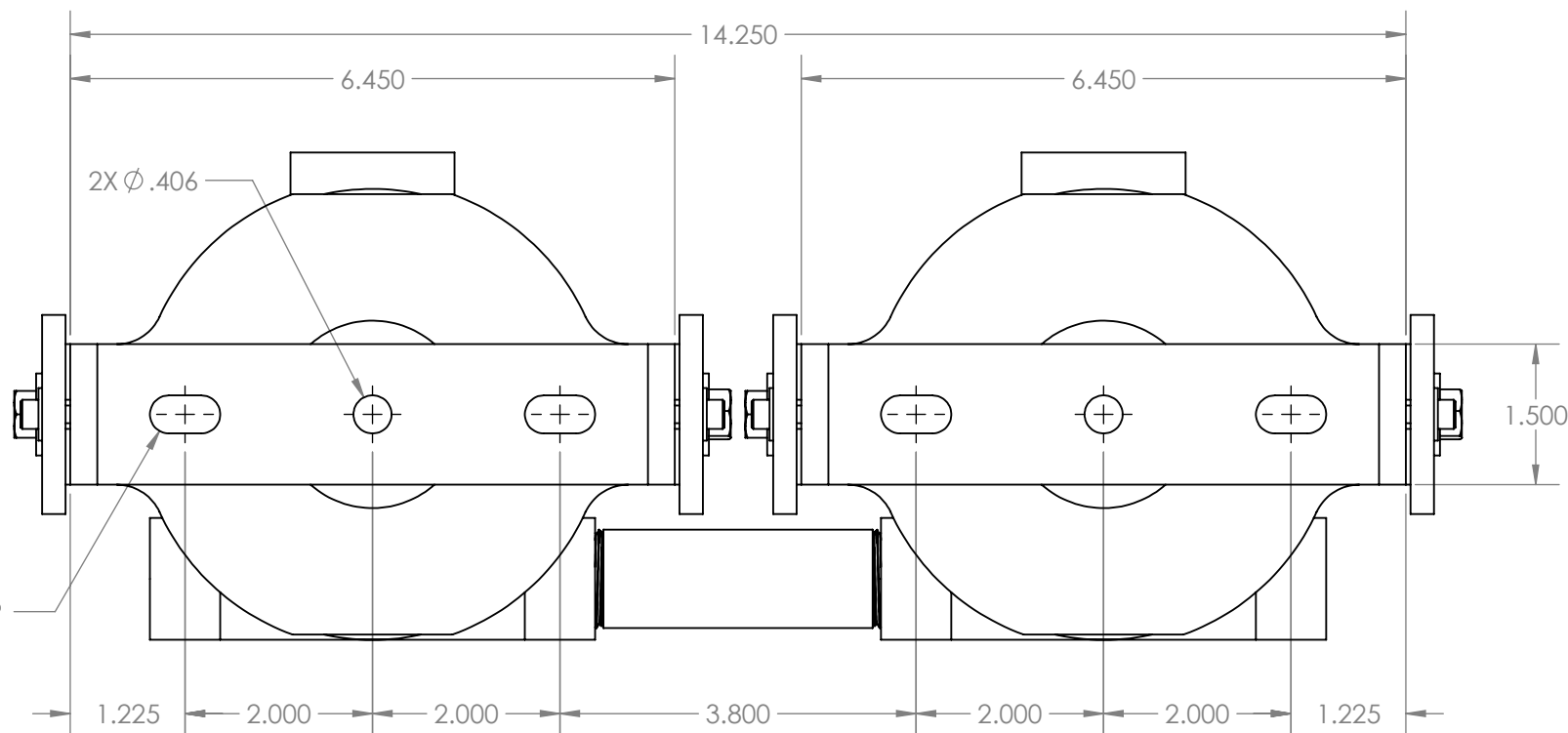
C

B

B

A

A



TITLE:		
EXPCMR-IP- POE-8MP-102D-1XLE1-24V		
SIZE	DWG. NO.	REV
A		
SCALE: NTS		SHEET 2 OF 2

FINISH		NAME
SURFACE AREA [sq. in]		CHRISTOPHER THAUER
DIMENSIONS ARE IN INCHES	DRAWN	
MATERIAL	CHECKED	N/A
DO NOT SCALE DRAWING	DATE	12/18/2019

PROPRIETARY AND CONFIDENTIAL
 THE INFORMATION CONTAINED IN THIS DRAWING IS THE SOLE PROPERTY OF LARSON ELECTRONICS LLC. ANY REPRODUCTION IN PART OR AS A WHOLE WITHOUT THE WRITTEN PERMISSION OF LARSON ELECTRONICS LLC IS PROHIBITED.

UNLESS OTHERWISE NOTED:
 Angle +/- .5 deg
 .X +/- .02
 .XX +/- .01
 .XXX +/- .005

6

5

4

3

2

1