

PROPRIETARY AND CONFIDENTIAL
 THE INFORMATION CONTAINED IN THIS
 DRAWING IS THE SOLE PROPERTY OF
 LARSON ELECTRONICS LLC. ANY
 REPRODUCTION IN PART OR AS A WHOLE
 WITHOUT THE WRITTEN PERMISSION OF
 LARSON ELECTRONICS LLC IS
 PROHIBITED.

DIMENSIONS ARE IN INCHES		DRAWN	NAME
MATERIAL		CHECKED	CHRIS THAUER
DO NOT SCALE DRAWING			JEREMY BLANKENSHIP

TITLE:
EXPCMR-IP-POE-8MP-IR-102D

SIZE	DWG. NO.	REV
A		
SCALE: 1:3	SHEET 1 OF 2	

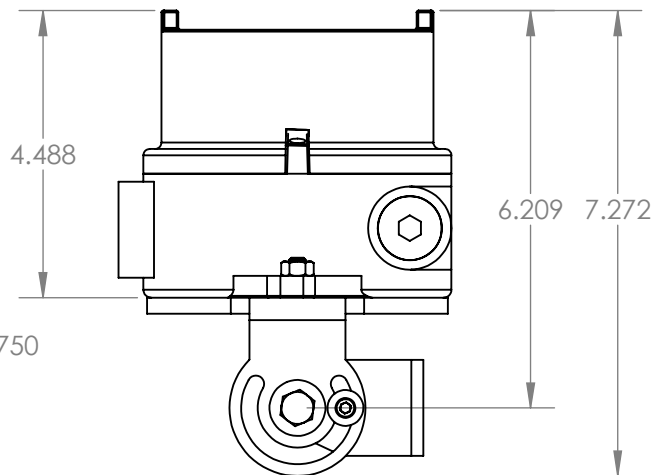
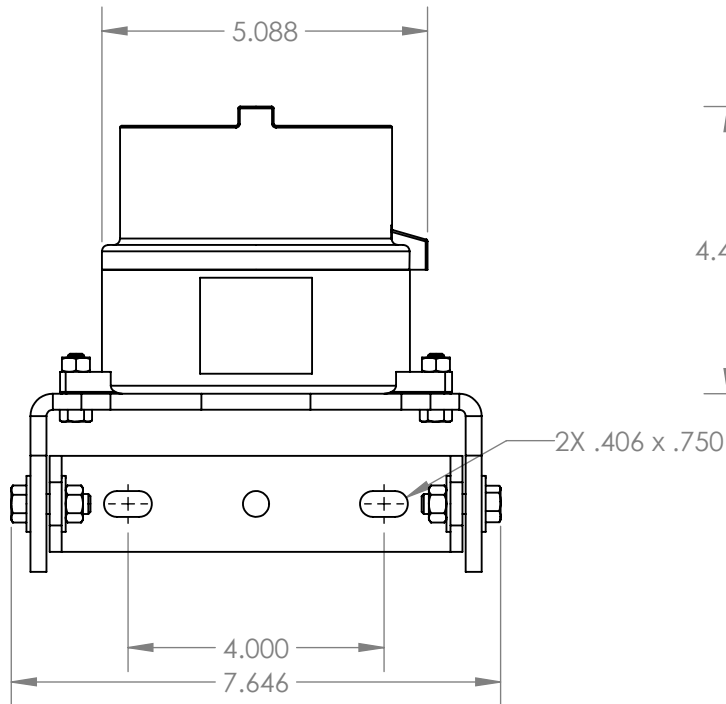
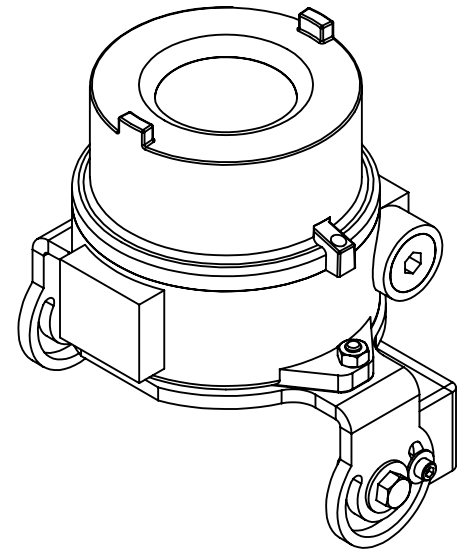
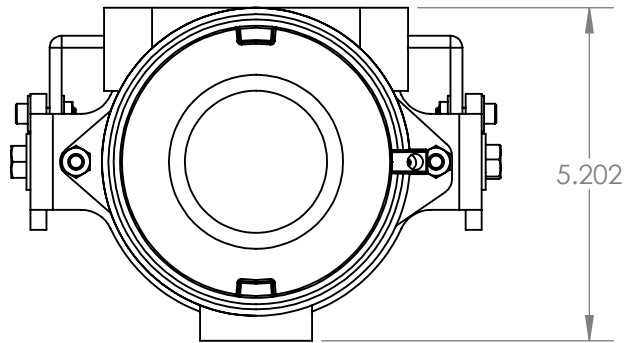
5

4

3

2

1



TITLE:
EXPCMR-IP-POE-8MP-IR-102D

PROPRIETARY AND CONFIDENTIAL
THE INFORMATION CONTAINED IN THIS
DRAWING IS THE SOLE PROPERTY OF
LARSON ELECTRONICS LLC. ANY
REPRODUCTION IN PART OR AS A WHOLE
WITHOUT THE WRITTEN PERMISSION OF
LARSON ELECTRONICS LLC IS
PROHIBITED.

DIMENSIONS ARE IN INCHES		DRAWN	NAME	SIZE	DWG. NO.	REV
MATERIAL		CHECKED	CHRIS THAUER	A		
DO NOT SCALE DRAWING			JEREMY BLANKENSHIP			
				SCALE: 1:3	SHEET 2 OF 2	

5

4

3

2

1