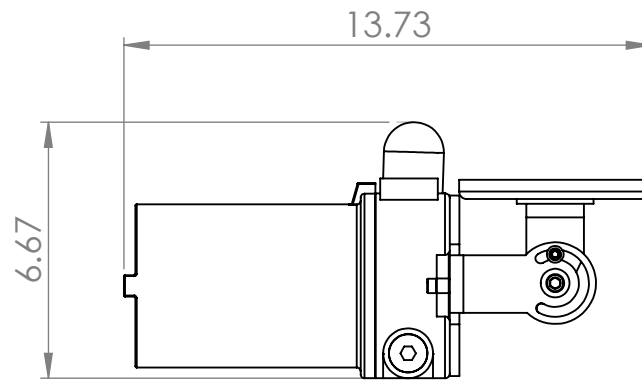
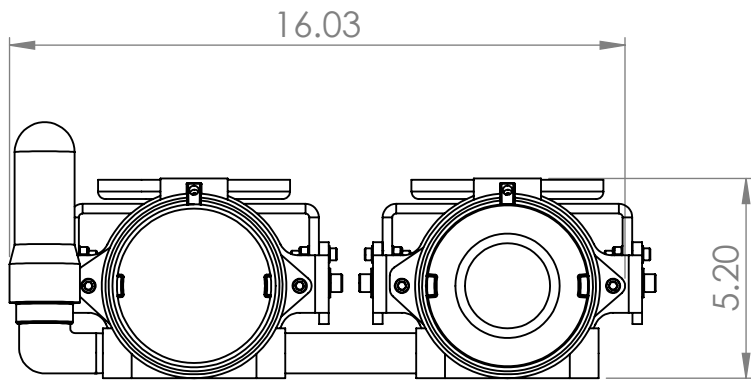
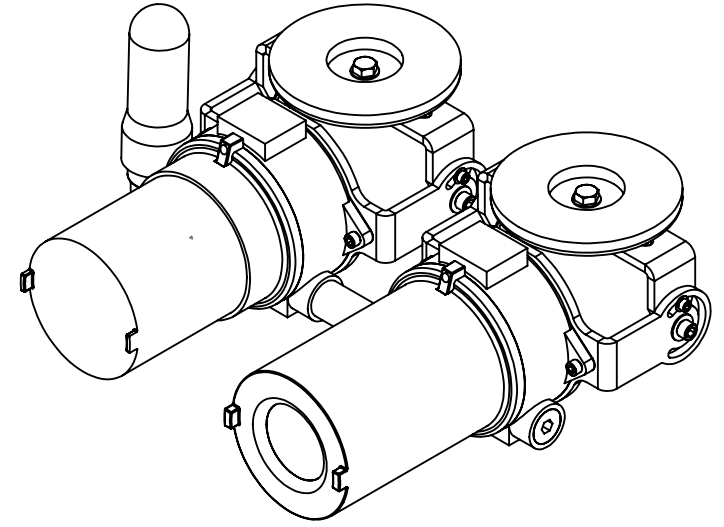
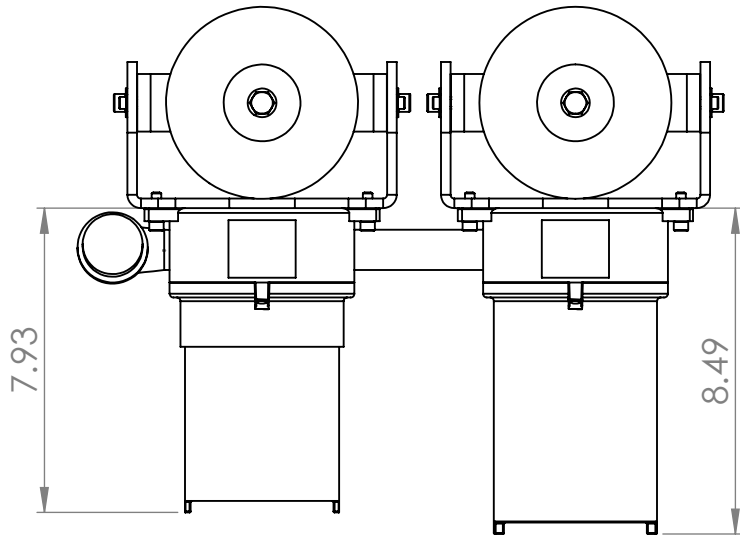


PROPRIETARY AND CONFIDENTIAL
 THE INFORMATION CONTAINED IN THIS DRAWING IS THE SOLE PROPERTY OF LARSON ELECTRONICS LLC. ANY REPRODUCTION IN PART OR AS A WHOLE WITHOUT THE WRITTEN PERMISSION OF LARSON ELECTRONICS LLC IS PROHIBITED.

TITLE:
EXPCMR-WIP-RPS-OZ-2MP-IM.64G-M

SIZE A	DWG. NO.	REV 00
------------------	----------	------------------

DIMENSIONS ARE IN INCHES				
DO NOT SCALE DRAWING	DATE	05/01/2018	SCALE: NTS	SHEET 1 OF 2



PROPRIETARY AND CONFIDENTIAL
 THE INFORMATION CONTAINED IN THIS DRAWING IS THE SOLE PROPERTY OF LARSON ELECTRONICS LLC. ANY REPRODUCTION IN PART OR AS A WHOLE WITHOUT THE WRITTEN PERMISSION OF LARSON ELECTRONICS LLC IS PROHIBITED.

TITLE:
EXPCMR-WIP-RPS-OZ-2MP-IM.64G-M

SIZE A	DWG. NO.	REV 00
------------------	----------	------------------

DIMENSIONS ARE IN INCHES				
DO NOT SCALE DRAWING	DATE	05/01/2018	SCALE: NTS	SHEET 2 OF 2

5

4

3

2

1