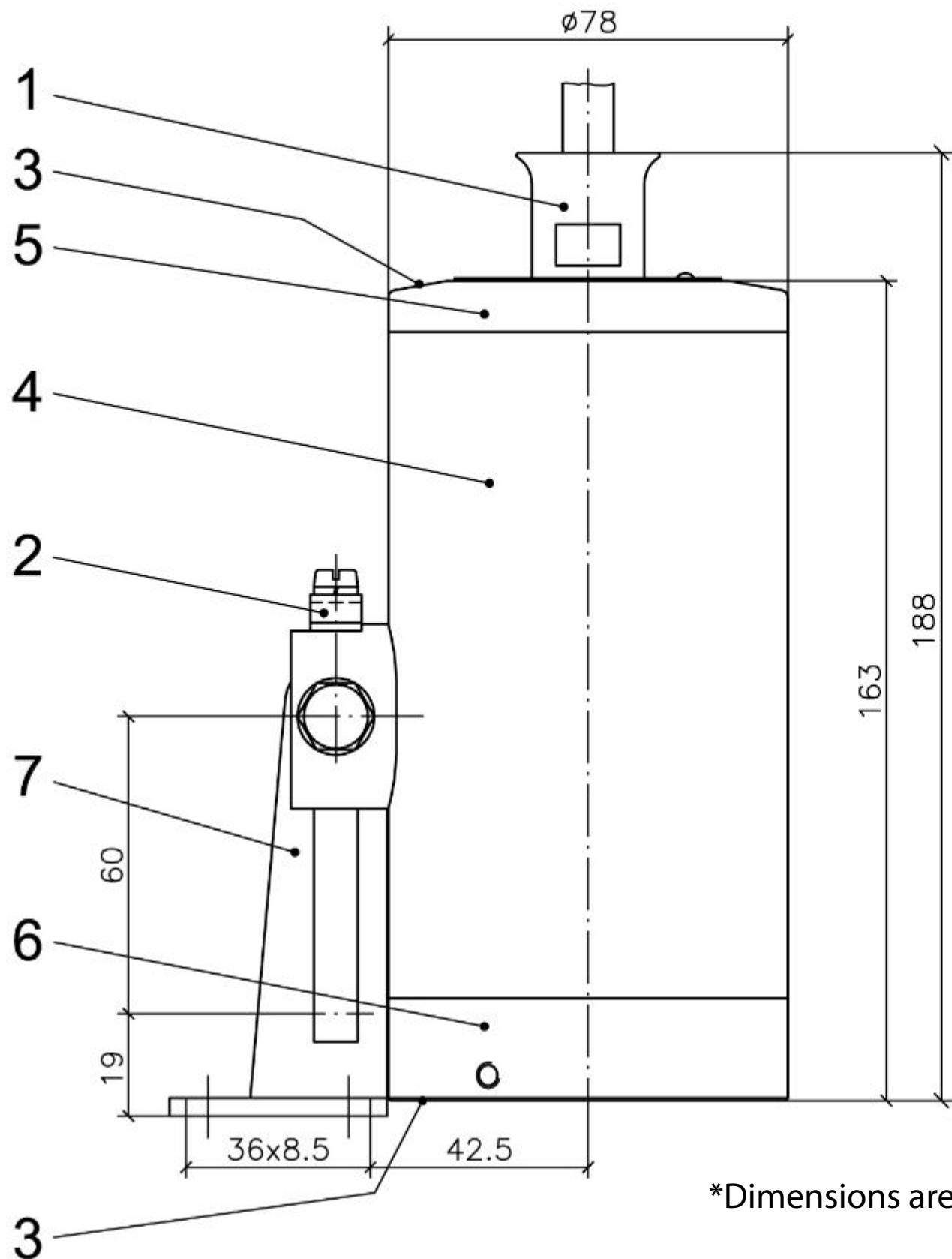




Larson Electronics LLC www.LarsonElectronics.com sales@larsonelectronics.com

9419 E US HWY 175, Kemp, TX 75143 - P: (800) 369-6671 - F: (903) 498-3364

EXPSG-LED-15W



- Part No. 1 Ex d cable gland M20 x 1.5
2 External protective conductor terminal
3 Locking screws M4 A2-70
4 Luminaire body
5 End cover
6 Light port lens
7 Luminaire mounting bracket (hinged)

*Dimensions are in mm