

6

5

4

3

2

1

F

F

E

E

D

D

C

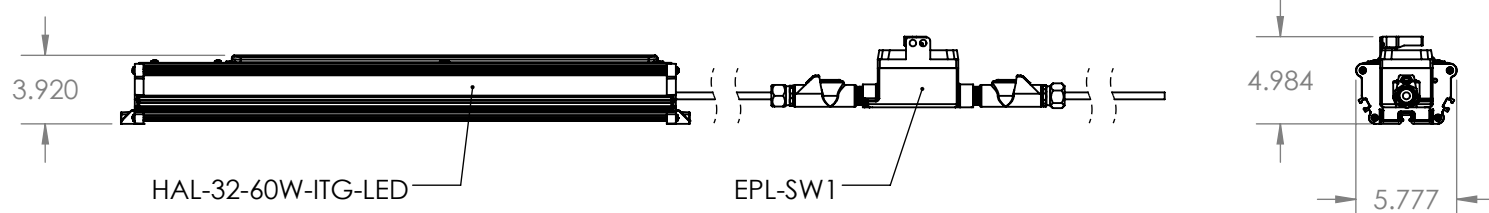
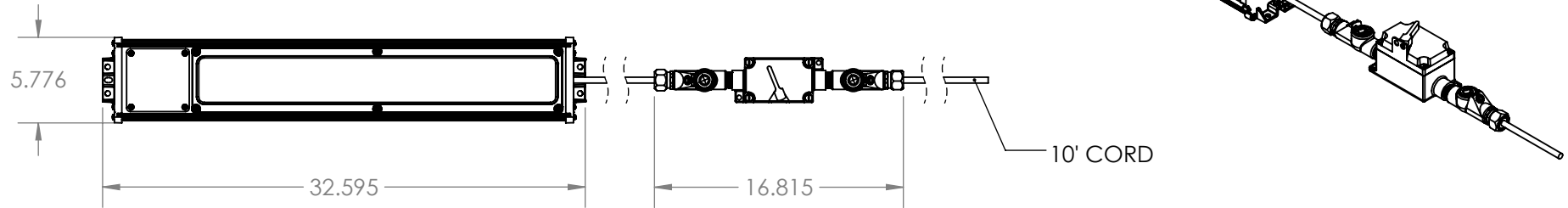
C

B

B

A

A



TITLE:
HAL-32-60W-ITG-LED-10C-ILS

FINISH		NAME	
SURFACE AREA [sq. in]		DRAWN	CHRISTOPHER THAUER
DIMENSIONS ARE IN INCHES		CHECKED	N/A
MATERIAL		DATE	9/24/2019
DO NOT SCALE DRAWING			

PROPRIETARY AND CONFIDENTIAL
THE INFORMATION CONTAINED IN THIS DRAWING IS THE SOLE PROPERTY OF LARSON ELECTRONICS LLC. ANY REPRODUCTION IN PART OR AS A WHOLE WITHOUT THE WRITTEN PERMISSION OF LARSON ELECTRONICS LLC IS PROHIBITED.

UNLESS OTHERWISE NOTED:
Angle +/- .5 deg
.X +/- .02
.XX +/- .01
.XXX +/- .005

SIZE	DWG. NO.	REV
A		
SCALE: NTS		SHEET 1 OF 3

6

5

4

3

2

1

6

5

4

3

2

1

F

F

E

E

D

D

C

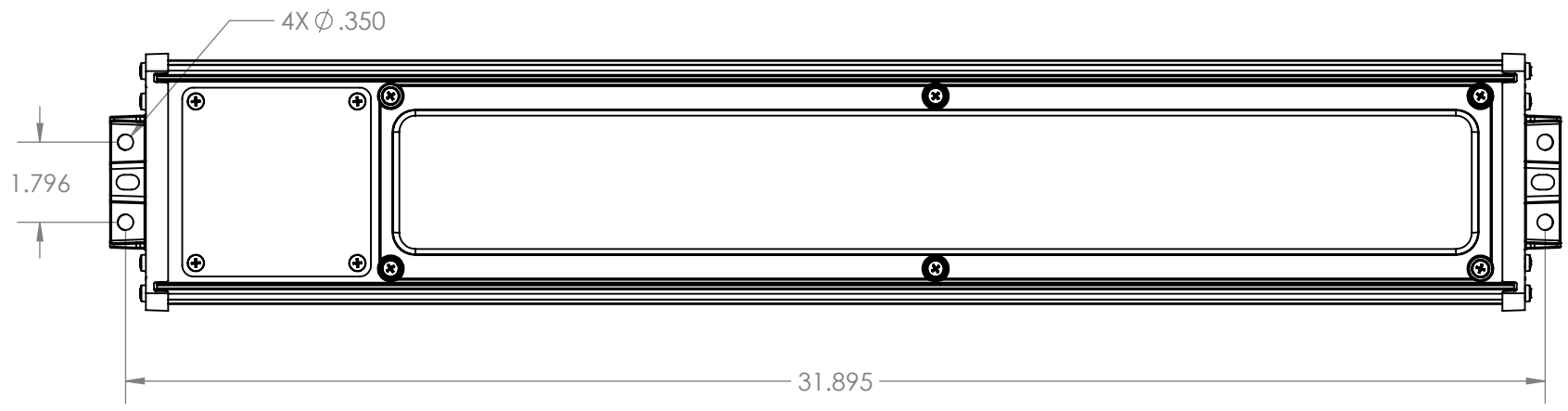
C

B

B

A

A



TITLE:
HAL-32-60W-ITG-LED-10C-ILS

PROPRIETARY AND CONFIDENTIAL
 THE INFORMATION CONTAINED IN THIS DRAWING IS THE SOLE PROPERTY OF LARSON ELECTRONICS LLC. ANY REPRODUCTION IN PART OR AS A WHOLE WITHOUT THE WRITTEN PERMISSION OF LARSON ELECTRONICS LLC IS PROHIBITED.

UNLESS OTHERWISE NOTED:
 Angle +/- .5 deg
 .X +/- .02
 .XX +/- .01
 .XXX +/- .005

FINISH			
SURFACE AREA [sq. in]			NAME
DIMENSIONS ARE IN INCHES		DRAWN	CHRISTOPHER THAUER
MATERIAL		CHECKED	N/A
DO NOT SCALE DRAWING		DATE	9/24/2019

SIZE	DWG. NO.	REV
A		
SCALE: NTS		SHEET 2 OF 3

6

5

4

3

2

1

6

5

4

3

2

1

F

F

E

E

D

D

C

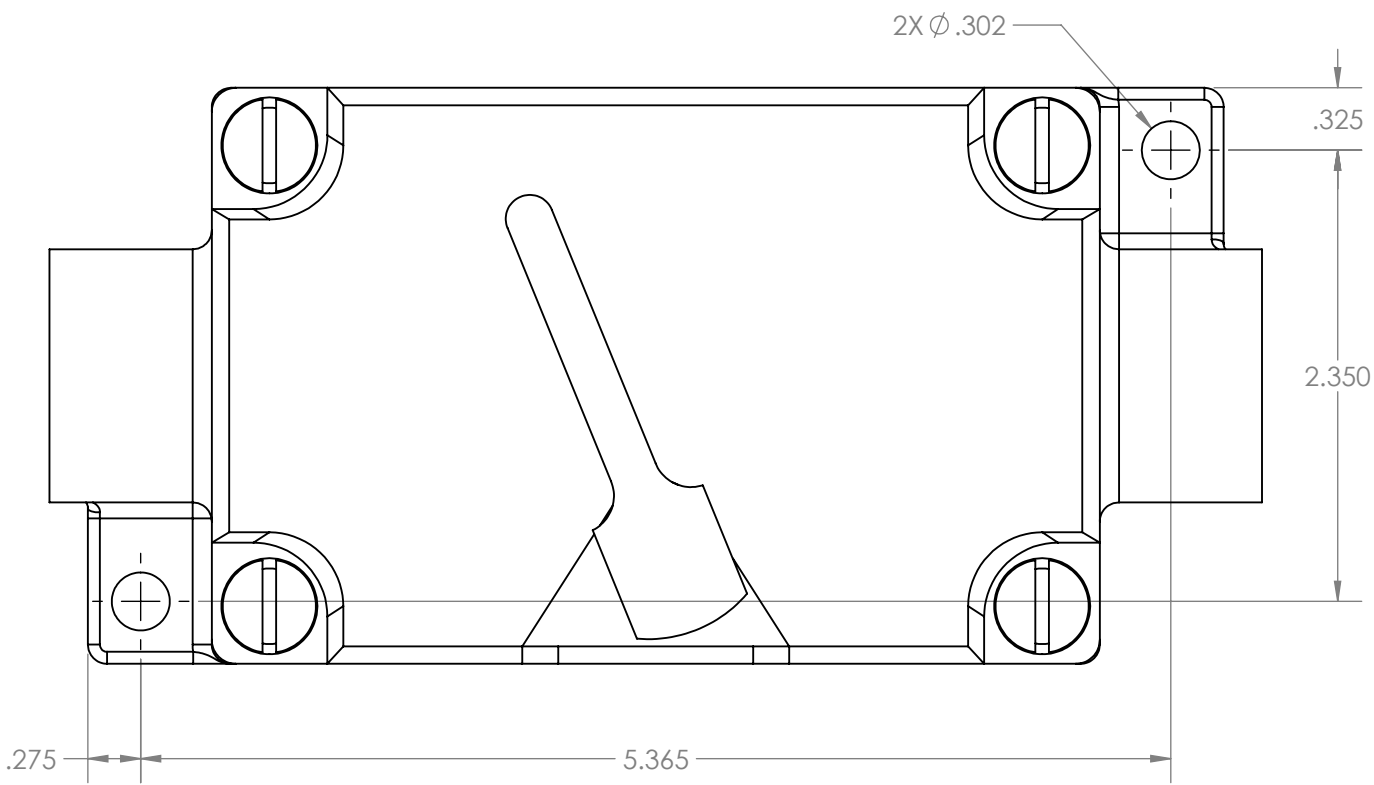
C

B

B

A

A



TITLE:
HAL-32-60W-ITG-LED-10C-ILS

FINISH		NAME	CHRISTOPHER THAUER
SURFACE AREA [sq. in.]		DRAWN	
DIMENSIONS ARE IN INCHES		CHECKED	N/A
MATERIAL		DATE	9/24/2019
DO NOT SCALE DRAWING			

SIZE	DWG. NO.	REV
A		
SCALE: NTS		SHEET 3 OF 3

PROPRIETARY AND CONFIDENTIAL
 THE INFORMATION CONTAINED IN THIS DRAWING IS THE SOLE PROPERTY OF LARSON ELECTRONICS LLC. ANY REPRODUCTION IN PART OR AS A WHOLE WITHOUT THE WRITTEN PERMISSION OF LARSON ELECTRONICS LLC IS PROHIBITED.

UNLESS OTHERWISE NOTED:
 Angle +/- .5 deg
 .X +/- .02
 .XX +/- .01
 .XXX +/- .005

6

5

4

3

2

1