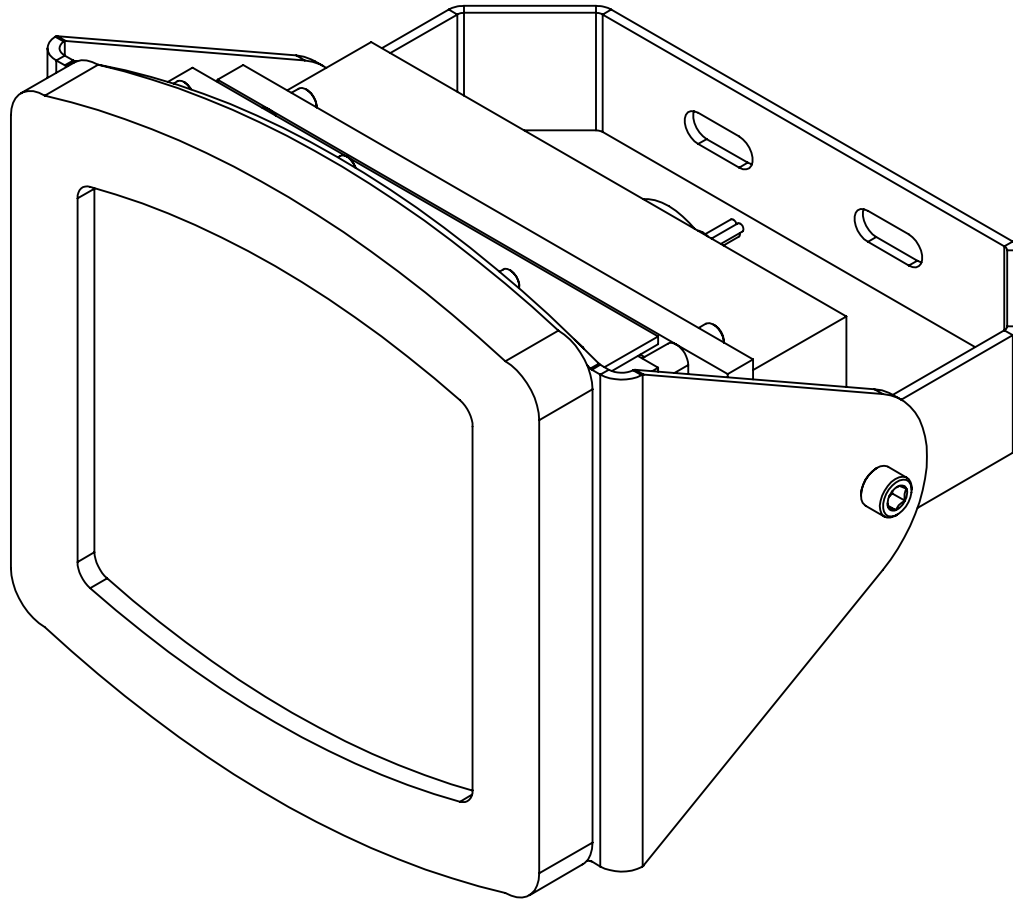


| | | |
|-----------------------------|----------|--------------|
| TITLE: | | |
| HAL-LED-CPR-C-40-PND | | |
| SIZE | DWG. NO. | REV |
| A | | |
| SCALE: NTS | | SHEET 1 OF 1 |

| | | |
|--------------------------|---------|--------------------|
| FINISH | | NAME |
| SURFACE AREA [sq. in.] | | CHRISTOPHER THAUER |
| DIMENSIONS ARE IN INCHES | DRAWN | |
| MATERIAL | CHECKED | N/A |
| DO NOT SCALE DRAWING | DATE | 7/23/2018 |

UNLESS OTHERWISE NOTED:
 Angle +/- .5 deg
 .X +/- .02
 .XX +/- .01
 .XXX +/- .005

PROPRIETARY AND CONFIDENTIAL
 THE INFORMATION CONTAINED IN THIS DRAWING IS THE SOLE PROPERTY OF LARSON ELECTRONICS LLC. ANY REPRODUCTION IN PART OR AS A WHOLE WITHOUT THE WRITTEN PERMISSION OF LARSON ELECTRONICS LLC IS PROHIBITED.



PROPRIETARY AND CONFIDENTIAL
 THE INFORMATION CONTAINED IN THIS DRAWING IS THE SOLE PROPERTY OF LARSON ELECTRONICS LLC. ANY REPRODUCTION IN PART OR AS A WHOLE WITHOUT THE WRITTEN PERMISSION OF LARSON ELECTRONICS LLC IS PROHIBITED.

TITLE:
HAL-LED-CPR-C-40-SFC

| | | |
|------------------|----------|-----------------|
| SIZE A | DWG. NO. | REV B |
|------------------|----------|-----------------|

| | | | | |
|--------------------------|------|------------|------------|--------------|
| DIMENSIONS ARE IN INCHES | | | | |
| DO NOT SCALE DRAWING | DATE | 05/23/2018 | SCALE: NTS | SHEET 1 OF 3 |

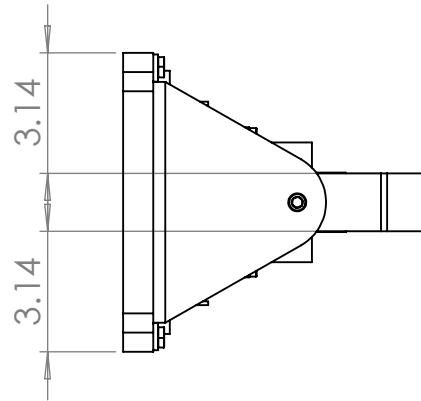
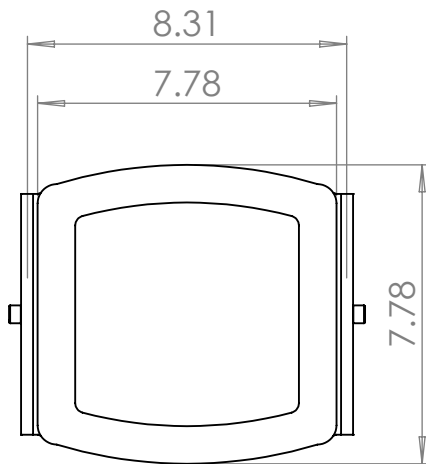
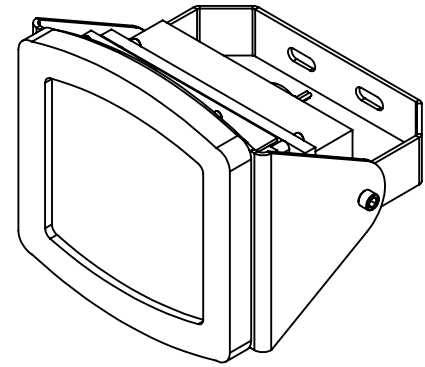
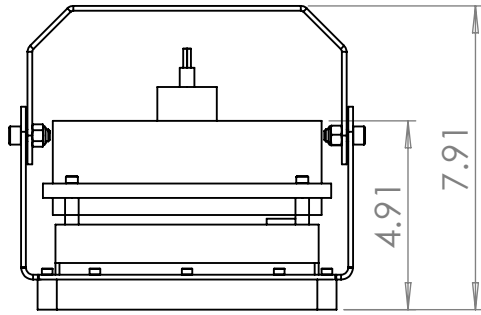
5

4

3

2

1

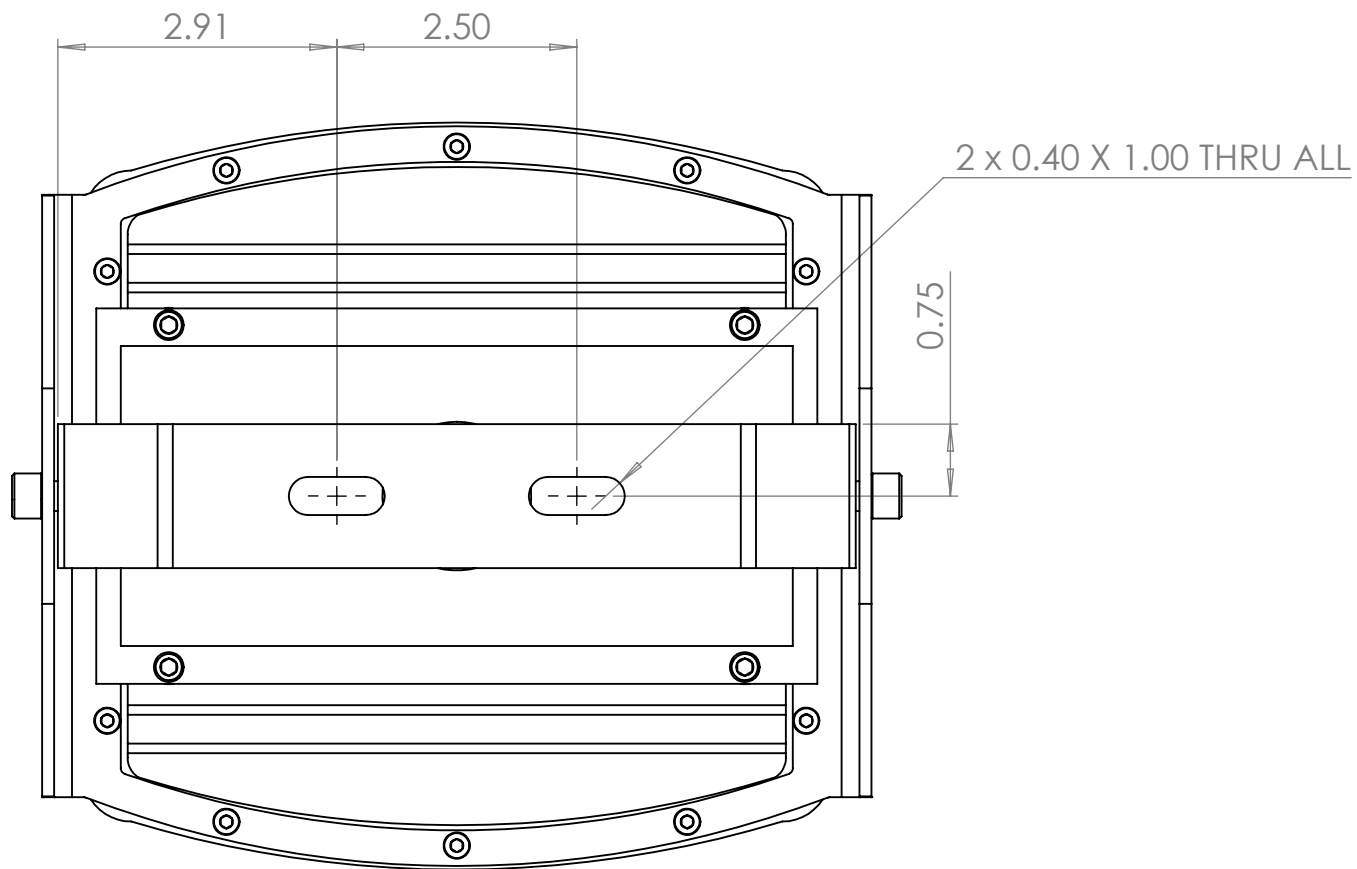


PROPRIETARY AND CONFIDENTIAL
 THE INFORMATION CONTAINED IN THIS DRAWING IS THE SOLE PROPERTY OF LARSON ELECTRONICS LLC. ANY REPRODUCTION IN PART OR AS A WHOLE WITHOUT THE WRITTEN PERMISSION OF LARSON ELECTRONICS LLC IS PROHIBITED.

TITLE:
HAL-LED-CPR-C-40-SFC

| | | |
|------------------|----------|-----------------|
| SIZE A | DWG. NO. | REV B |
|------------------|----------|-----------------|

| | | | |
|--------------------------|------|--------------|--|
| DIMENSIONS ARE IN INCHES | | | |
| DO NOT SCALE DRAWING | DATE | 05/23/2018 | |
| SCALE: NTS | | SHEET 2 OF 3 | |



TITLE:
HAL-LED-CPR-C-40-SFC

PROPRIETARY AND CONFIDENTIAL
THE INFORMATION CONTAINED IN THIS DRAWING IS THE SOLE PROPERTY OF LARSON ELECTRONICS LLC. ANY REPRODUCTION IN PART OR AS A WHOLE WITHOUT THE WRITTEN PERMISSION OF LARSON ELECTRONICS LLC IS PROHIBITED.

| | | | | |
|--------------------------|------|------------|------------|--------------|
| DIMENSIONS ARE IN INCHES | | | | |
| DO NOT SCALE DRAWING | DATE | 05/23/2018 | SCALE: NTS | SHEET 3 OF 3 |

| | | |
|------------------|----------|-----------------|
| SIZE A | DWG. NO. | REV B |
|------------------|----------|-----------------|