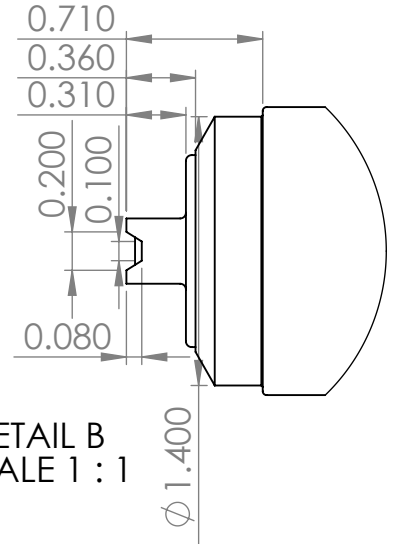
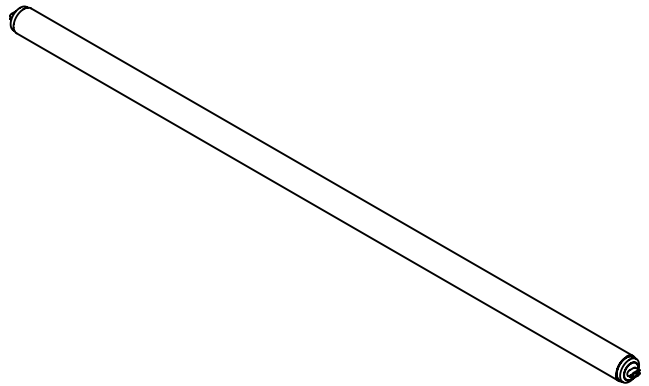


DETAIL A
SCALE 1 : 1



DETAIL B
SCALE 1 : 1



PROPRIETARY AND CONFIDENTIAL
THE INFORMATION CONTAINED IN THIS DRAWING IS THE SOLE PROPERTY OF LARSON ELECTRONICS. ANY REPRODUCTION IN PART OR AS A WHOLE WITHOUT THE WRITTEN PERMISSION OF LARSON ELECTRONICS IS PROHIBITED.

		DIMENSIONS ARE IN INCHES TOLERANCES: FRACTIONAL ± ANGULAR: MACH ± BEND ± TWO PLACE DECIMAL ± THREE PLACE DECIMAL ±		NAME DRAWN JOSH DREDLA	
		MATERIAL		CHECKED	
		FINISH		ENG APPR.	
NEXT ASSY		USED ON		MFG APPR.	
APPLICATION		DO NOT SCALE DRAWING		Q.A.	
				COMMENTS:	
				FRL-48-1X-T12HO	
				SIZE A	DWG. NO.
				SCALE:1:10	WEIGHT:
				REV.	
				SHEET 1 OF 1	