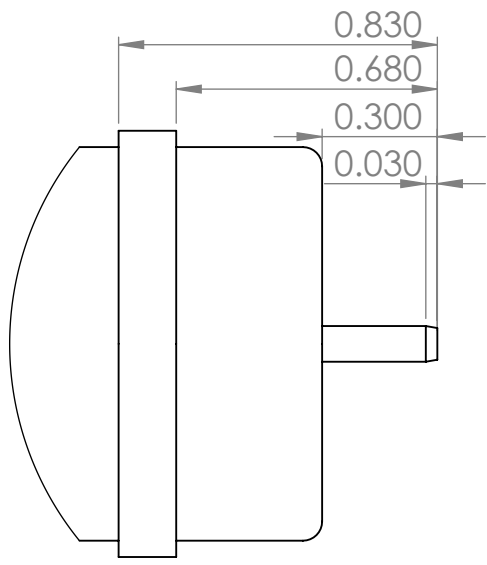
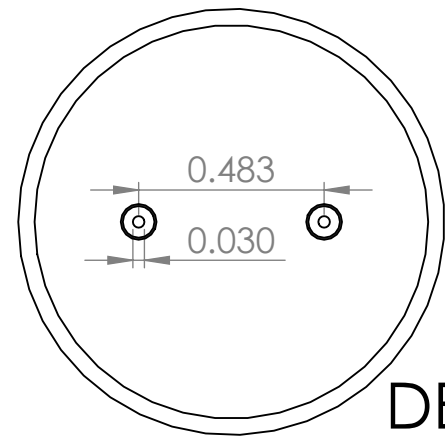


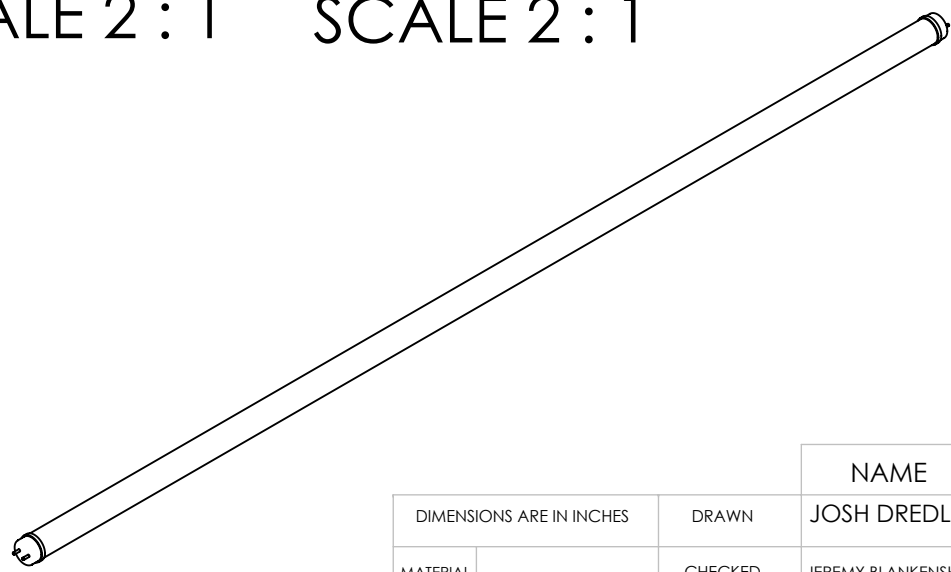
DETAIL A
SCALE 2 : 1



DETAIL B
SCALE 2 : 1



DETAIL C
SCALE 2 : 1



PROPRIETARY AND CONFIDENTIAL
THE INFORMATION CONTAINED IN THIS DRAWING IS THE SOLE PROPERTY OF LARSON ELECTRONICS LLC. ANY REPRODUCTION IN PART OR AS A WHOLE WITHOUT THE WRITTEN PERMISSION OF LARSON ELECTRONICS LLC IS PROHIBITED.

DIMENSIONS ARE IN INCHES		DRAWN	NAME		TITLE:	
MATERIAL		CHECKED	JOSH DREDLA	LEDT8-48-D		REV
DO NOT SCALE DRAWING			JEREMY BLANKENSHIP	SIZE	DWG. NO.	
				A		
				SCALE: 1:7		SHEET 1 OF 1