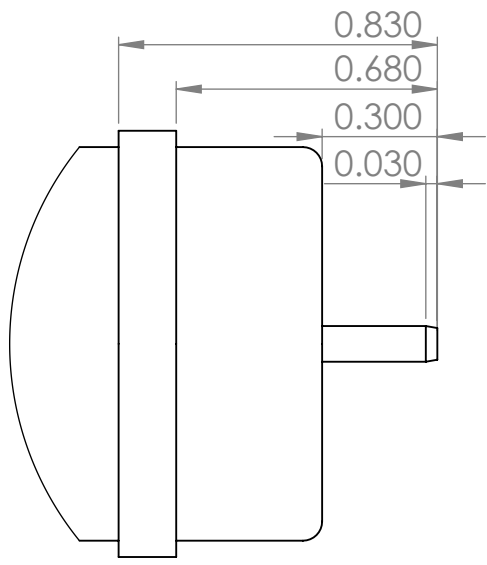
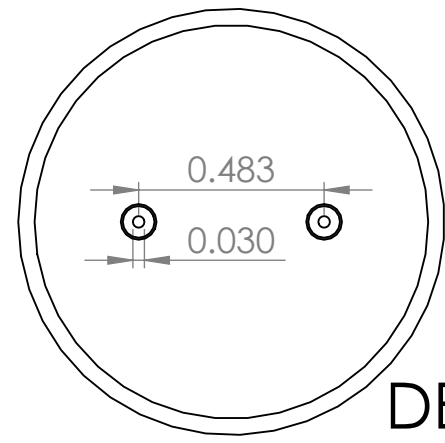


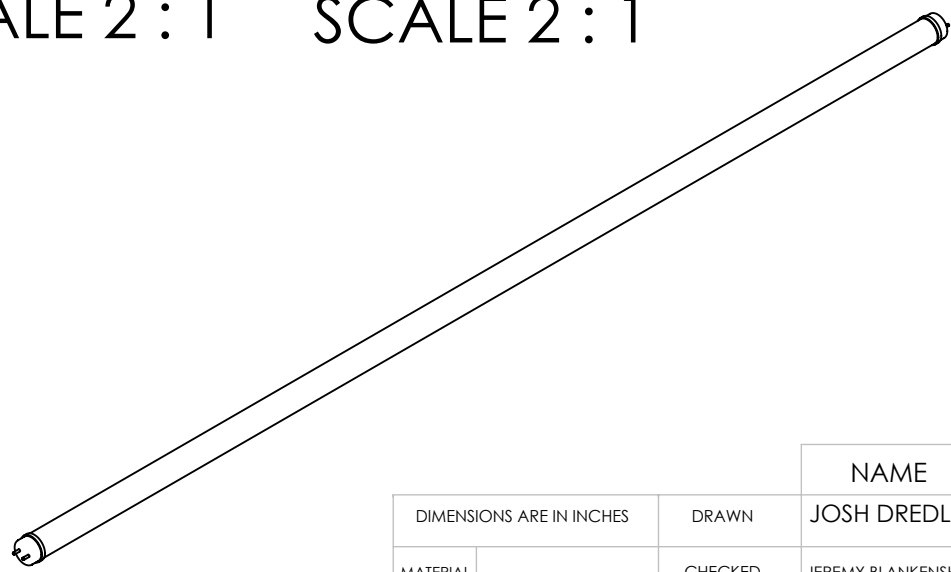
DETAIL A
SCALE 2 : 1



DETAIL B
SCALE 2 : 1



DETAIL C
SCALE 2 : 1



PROPRIETARY AND CONFIDENTIAL
THE INFORMATION CONTAINED IN THIS DRAWING IS THE SOLE PROPERTY OF LARSON ELECTRONICS LLC. ANY REPRODUCTION IN PART OR AS A WHOLE WITHOUT THE WRITTEN PERMISSION OF LARSON ELECTRONICS LLC IS PROHIBITED.

DIMENSIONS ARE IN INCHES		DRAWN	JOSH DREDLA
MATERIAL		CHECKED	JEREMY BLANKENSHIP
DO NOT SCALE DRAWING			

TITLE:			
LEDT8-28W-V1			
NAME	SIZE	DWG. NO.	REV
JOSH DREDLA	A		
SCALE: 1:7		SHEET 1 OF 1	