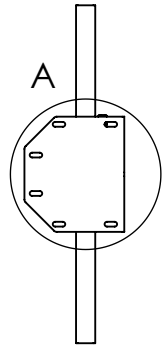
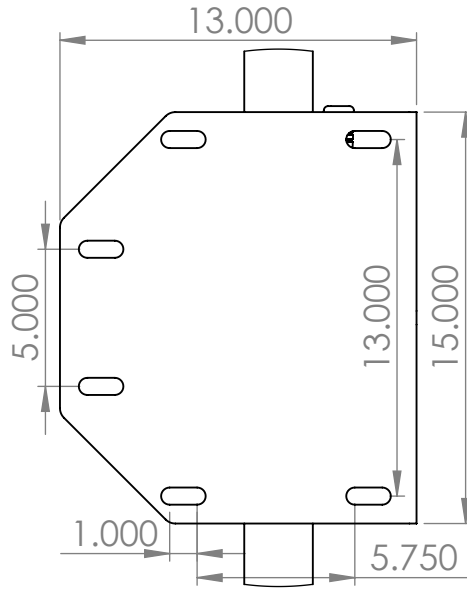
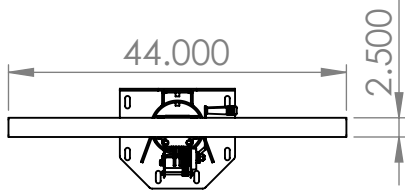
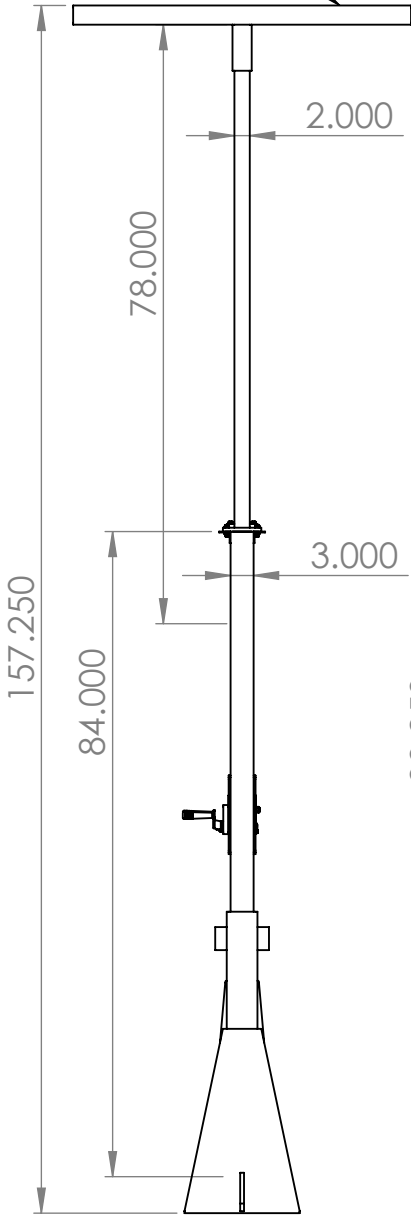


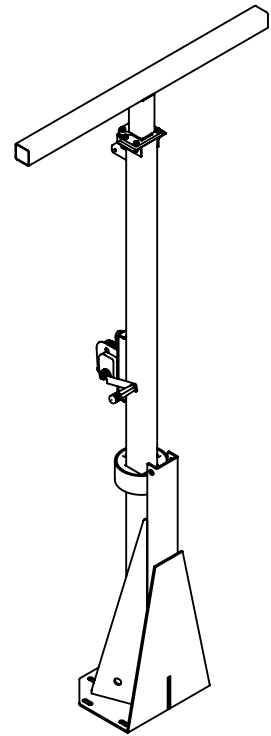
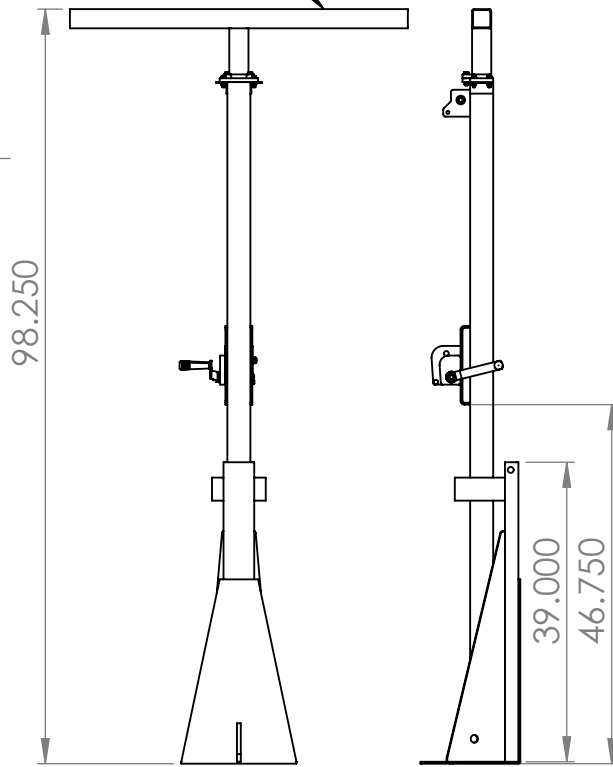
DETAIL A
SCALE 1 : 7



Fully Extended



Fully Retracted



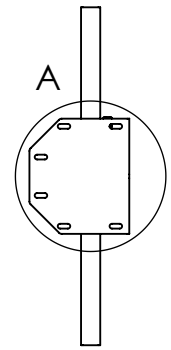
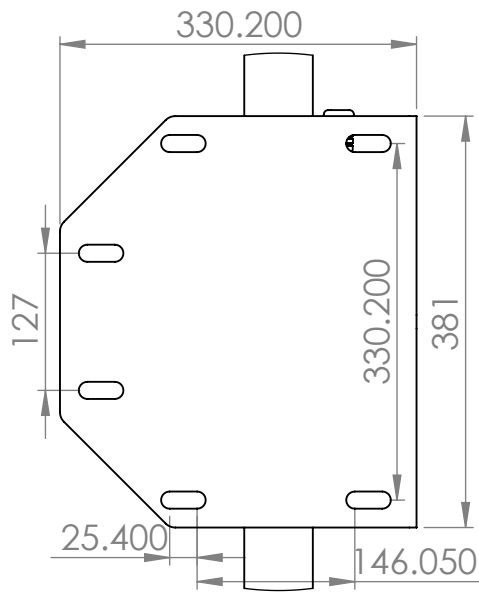
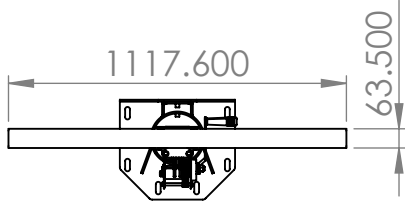
PROPRIETARY AND CONFIDENTIAL
THE INFORMATION CONTAINED IN THIS DRAWING IS THE SOLE PROPERTY OF LARSON ELECTRONICS. ANY REPRODUCTION IN PART OR AS A WHOLE WITHOUT THE WRITTEN PERMISSION OF LARSON ELECTRONICS IS PROHIBITED.

		DIMENSIONS ARE IN INCHES TOLERANCES: FRACTIONAL ± ANGULAR: MACH ± BEND ± TWO PLACE DECIMAL ± THREE PLACE DECIMAL ±	
		MATERIAL	
		FINISH	
NEXT ASSY	USED ON		
APPLICATION		DO NOT SCALE DRAWING	

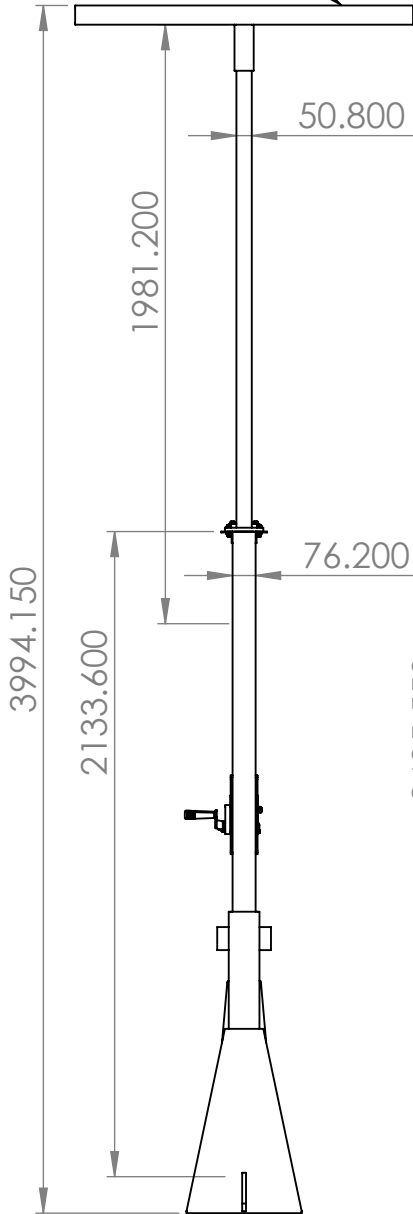
NAME	
DRAWN	JOSH DREDLA
CHECKED	
ENG APPR.	
MFG APPR.	
Q.A.	
COMMENTS:	

LM-13-FM		
SIZE	DWG. NO.	REV.
A		
SCALE: 1:25	WEIGHT:	SHEET 1 OF 1

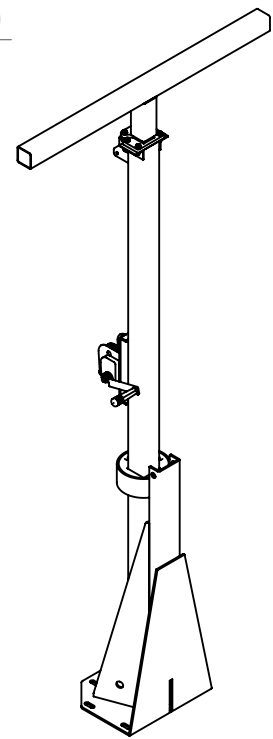
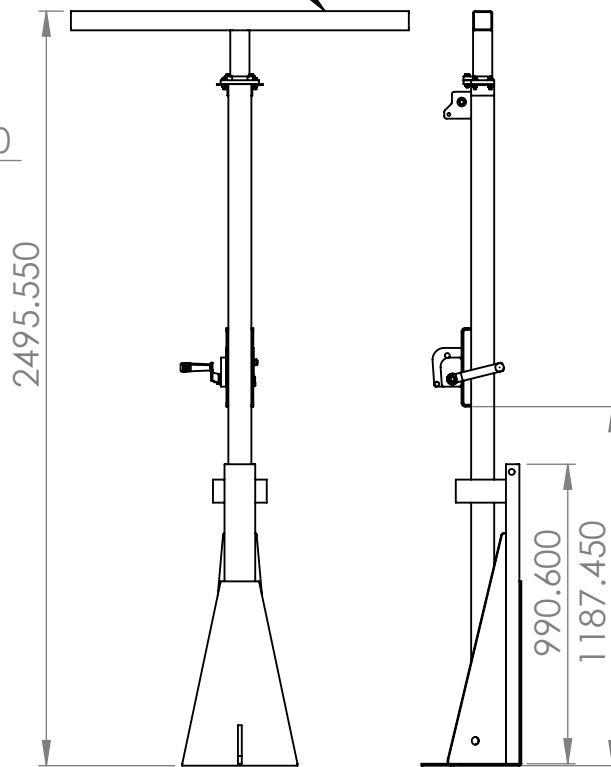
DETAIL A
SCALE 1 : 7



Fully Extended



Fully Retracted



PROPRIETARY AND CONFIDENTIAL
THE INFORMATION CONTAINED IN THIS DRAWING IS THE SOLE PROPERTY OF LARSON ELECTRONICS. ANY REPRODUCTION IN PART OR AS A WHOLE WITHOUT THE WRITTEN PERMISSION OF LARSON ELECTRONICS IS PROHIBITED.

		DIMENSIONS ARE IN MILLIMETERS	
		TOLERANCES:	
		FRACTIONAL ±	
		ANGULAR: MACH ± BEND ±	
		TWO PLACE DECIMAL ±	
		THREE PLACE DECIMAL ±	
		MATERIAL	
		FINISH	
NEXT ASSY	USED ON		
APPLICATION		DO NOT SCALE DRAWING	

		NAME	
DRAWN	JOSH DREDLA		
CHECKED			
ENG APPR.			
MFG APPR.			
Q.A.			
COMMENTS:			

LM-13-FM			
SIZE	DWG. NO.	REV.	
A			
SCALE: 1:25	WEIGHT:	SHEET 1 OF 1	