



**PROPRIETARY AND CONFIDENTIAL**  
 THE INFORMATION CONTAINED IN THIS DRAWING IS THE SOLE PROPERTY OF LARSON ELECTRONICS LLC. ANY REPRODUCTION IN PART OR AS A WHOLE WITHOUT THE WRITTEN PERMISSION OF LARSON ELECTRONICS LLC IS PROHIBITED.

DIMENSIONS ARE IN INCHES		DRAWN	CHRIS THAUER	SIZE	DWG. NO.	REV
MATERIAL		CHECKED	JEREMY BLANKENSHIP	<b>A</b>		
DO NOT SCALE DRAWING				SCALE: 1:30		SHEET 1 OF 3

TITLE:  
**LM-15-1S**

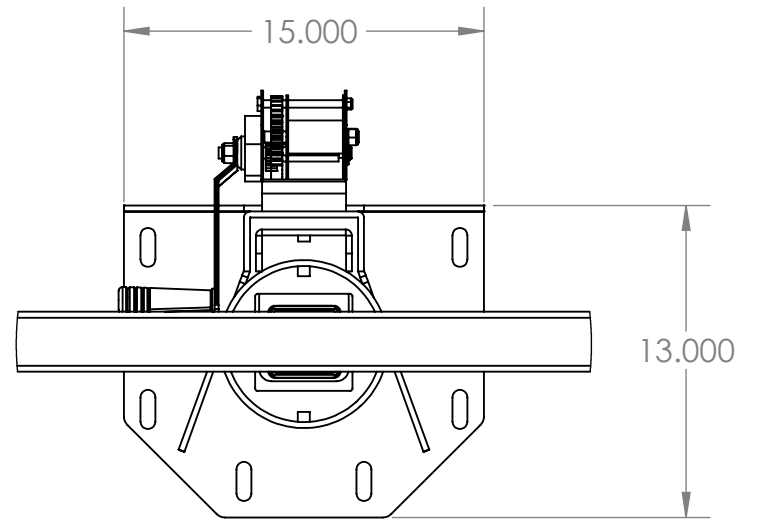
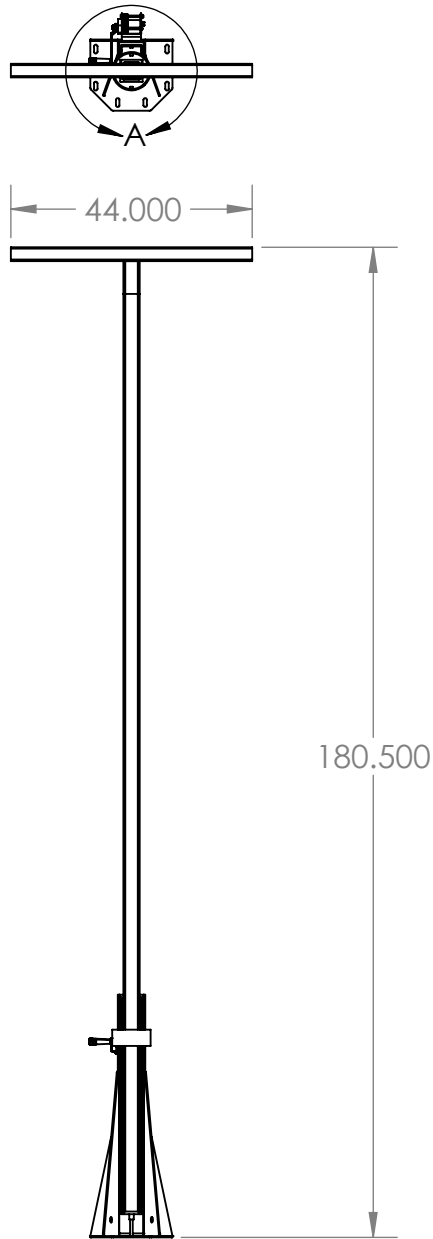
5

4

3

2

1

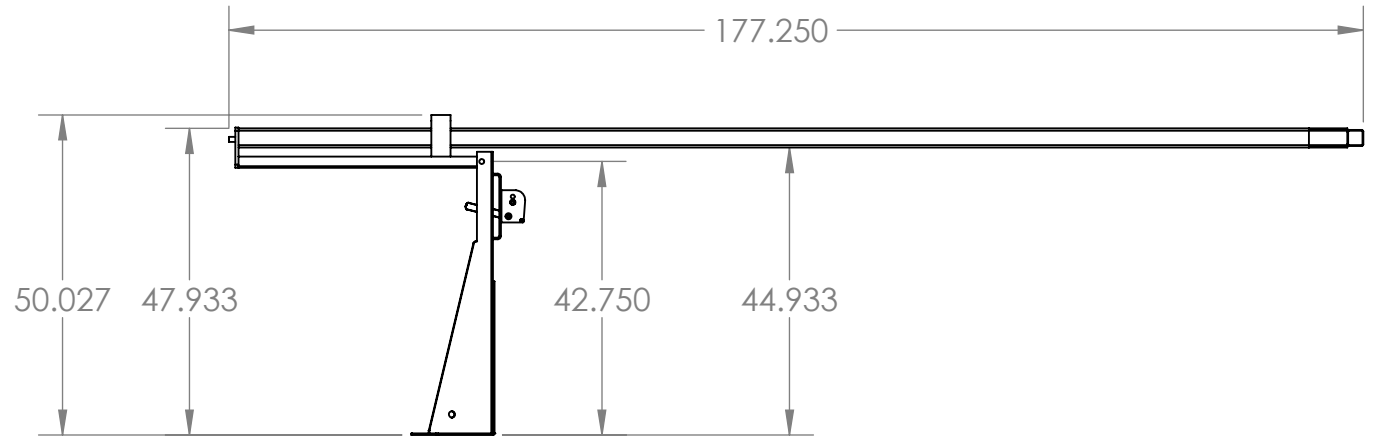
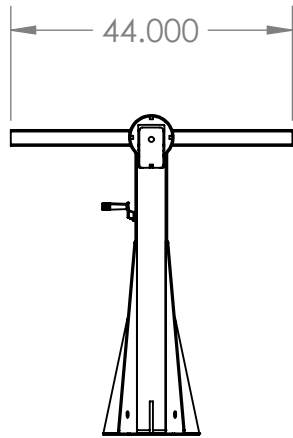


DETAIL A  
SCALE 1 : 8



TITLE:			
<b>LM-15-1S</b>			
NAME	SIZE	DWG. NO.	REV
CHRIS THAUER	<b>A</b>		
MATERIAL	CHECKED	JEREMY BLANKENSHIP	
DO NOT SCALE DRAWING		SCALE: 1:35	SHEET 2 OF 3

**PROPRIETARY AND CONFIDENTIAL**  
 THE INFORMATION CONTAINED IN THIS DRAWING IS THE SOLE PROPERTY OF LARSON ELECTRONICS LLC. ANY REPRODUCTION IN PART OR AS A WHOLE WITHOUT THE WRITTEN PERMISSION OF LARSON ELECTRONICS LLC IS PROHIBITED.



TITLE:			
<b>LM-15-1S</b>			
NAME	SIZE	DWG. NO.	REV
CHRIS THAUER	<b>A</b>		
MATERIAL	CHECKED	JEREMY BLANKENSHIP	
DO NOT SCALE DRAWING	SCALE: 1:30	SHEET 3 OF 3	

**PROPRIETARY AND CONFIDENTIAL**  
 THE INFORMATION CONTAINED IN THIS DRAWING IS THE SOLE PROPERTY OF LARSON ELECTRONICS LLC. ANY REPRODUCTION IN PART OR AS A WHOLE WITHOUT THE WRITTEN PERMISSION OF LARSON ELECTRONICS LLC IS PROHIBITED.

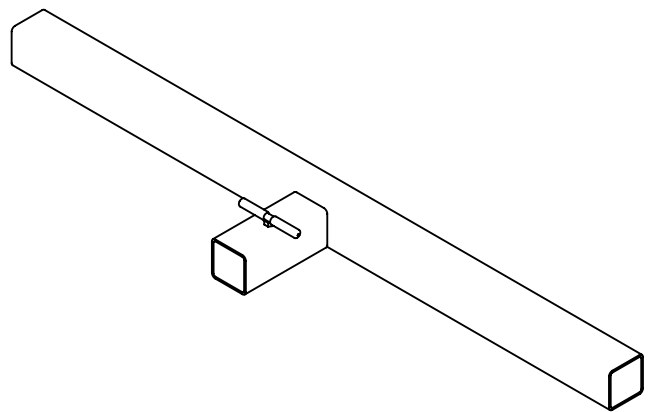
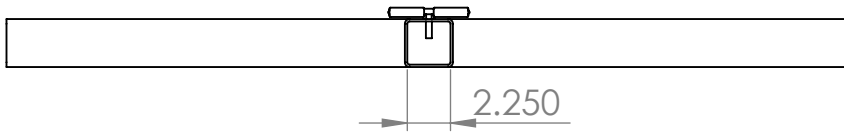
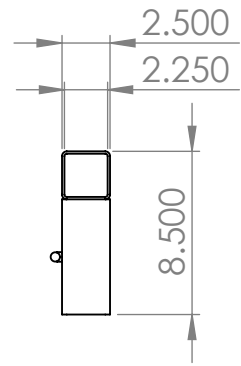
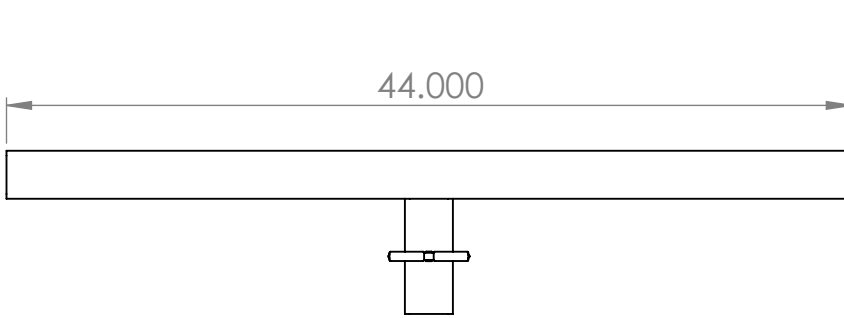
5

4

3

2

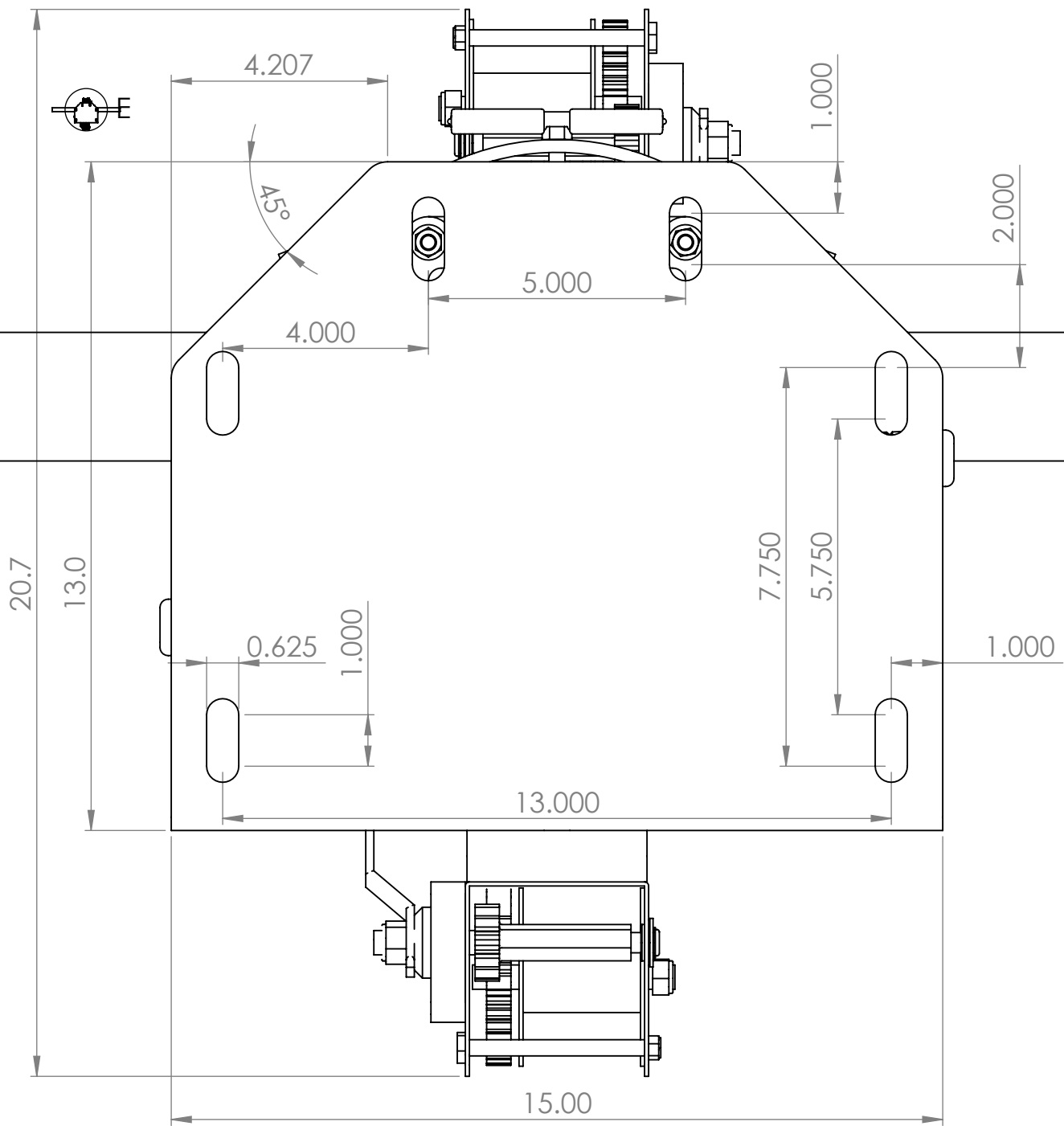
1



**PROPRIETARY AND CONFIDENTIAL**  
 THE INFORMATION CONTAINED IN THIS DRAWING IS THE SOLE PROPERTY OF LARSON ELECTRONICS. ANY REPRODUCTION IN PART OR AS A WHOLE WITHOUT THE WRITTEN PERMISSION OF LARSON ELECTRONICS IS PROHIBITED.

		DIMENSIONS ARE IN INCHES TOLERANCES: FRACTIONAL ± ANGULAR: MACH ± BEND ± TWO PLACE DECIMAL ± THREE PLACE DECIMAL ±		NAME DRAWN JOSH DREDLA	
		MATERIAL		CHECKED	
		FINISH		ENG APPR.	
NEXT ASSY	USED ON			MFG APPR.	
APPLICATION		DO NOT SCALE DRAWING		Q.A.	
				COMMENTS:	

<b>LM-UMB</b>		
SIZE <b>A</b>	DWG. NO.	REV.
SCALE:1:10	WEIGHT:	SHEET 1 OF 1



DETAIL E  
SCALE 1 : 3



**PROPRIETARY AND CONFIDENTIAL**  
 THE INFORMATION CONTAINED IN THIS DRAWING IS THE SOLE PROPERTY OF LARSON ELECTRONICS. ANY REPRODUCTION IN PART OR AS A WHOLE WITHOUT THE WRITTEN PERMISSION OF LARSON ELECTRONICS IS PROHIBITED.

		DIMENSIONS ARE IN INCHES TOLERANCES: FRACTIONAL ± ANGULAR: MACH ± BEND ± TWO PLACE DECIMAL ± THREE PLACE DECIMAL ±
		MATERIAL
NEXT ASSY	USED ON	FINISH
APPLICATION		DO NOT SCALE DRAWING

NAME	
DRAWN	JOSH DREDLA
CHECKED	
ENG APPR.	
MFG APPR.	
Q.A.	
COMMENTS:	

SIZE	DWG. NO.	REV.
<b>A</b>		
SCALE: 1:100	WEIGHT:	SHEET 2 OF 2