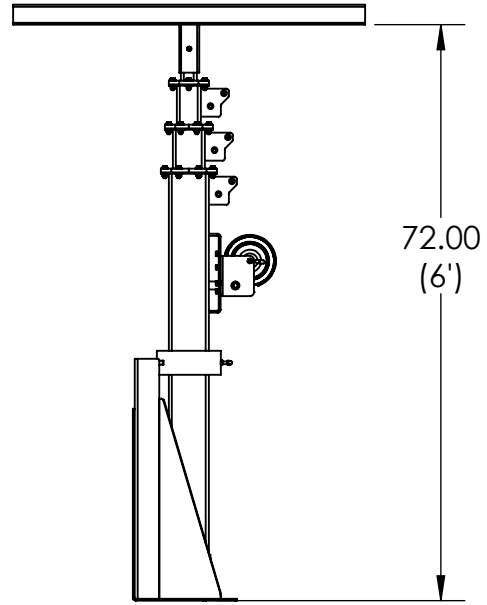
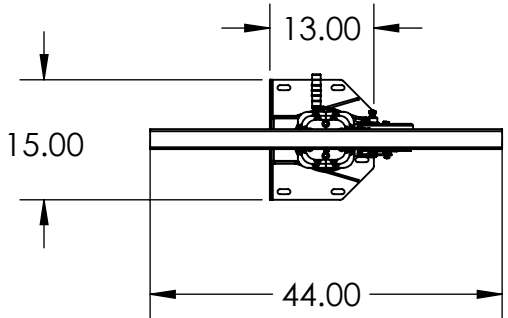


PART NUMBER:
LM-15-5-4S

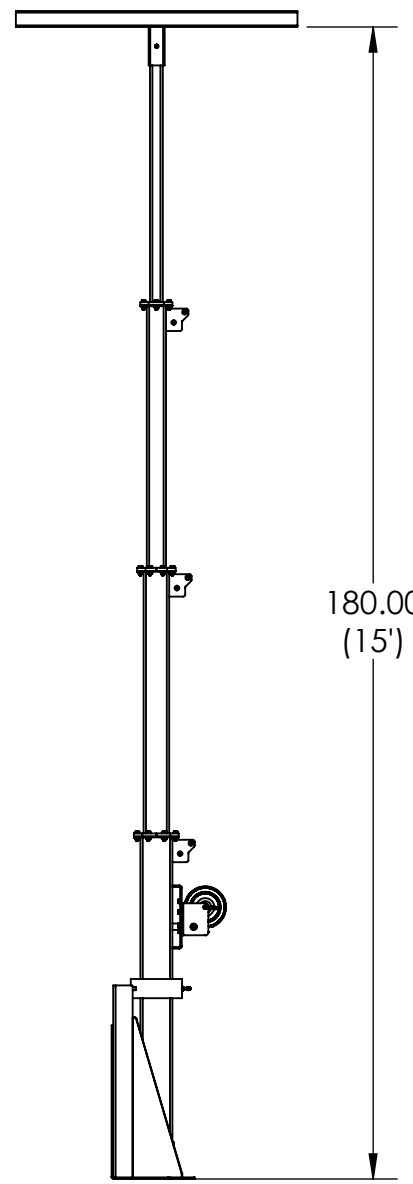
PROPRIETARY AND CONFIDENTIAL
THE INFORMATION CONTAINED IN THIS DRAWING IS THE SOLE PROPERTY OF LARSON ELECTRONICS LLC. ANY REPRODUCTION IN PART OR AS A WHOLE WITHOUT THE WRITTEN PERMISSION OF LARSON ELECTRONICS LLC IS PROHIBITED.

UNLESS OTHERWISE NOTED:
Angle +/- 5 deg.
X +/- 1/2
.X +/- 1/4
.XX +/- 1/8

DIMENSIONS ARE IN INCHES		SIZE A	REV 1
DO NOT SCALE DRAWING	DATE	SCALE: NTS	SHEET 1 OF 2
	4/28/2021		



Collapsed



Extended



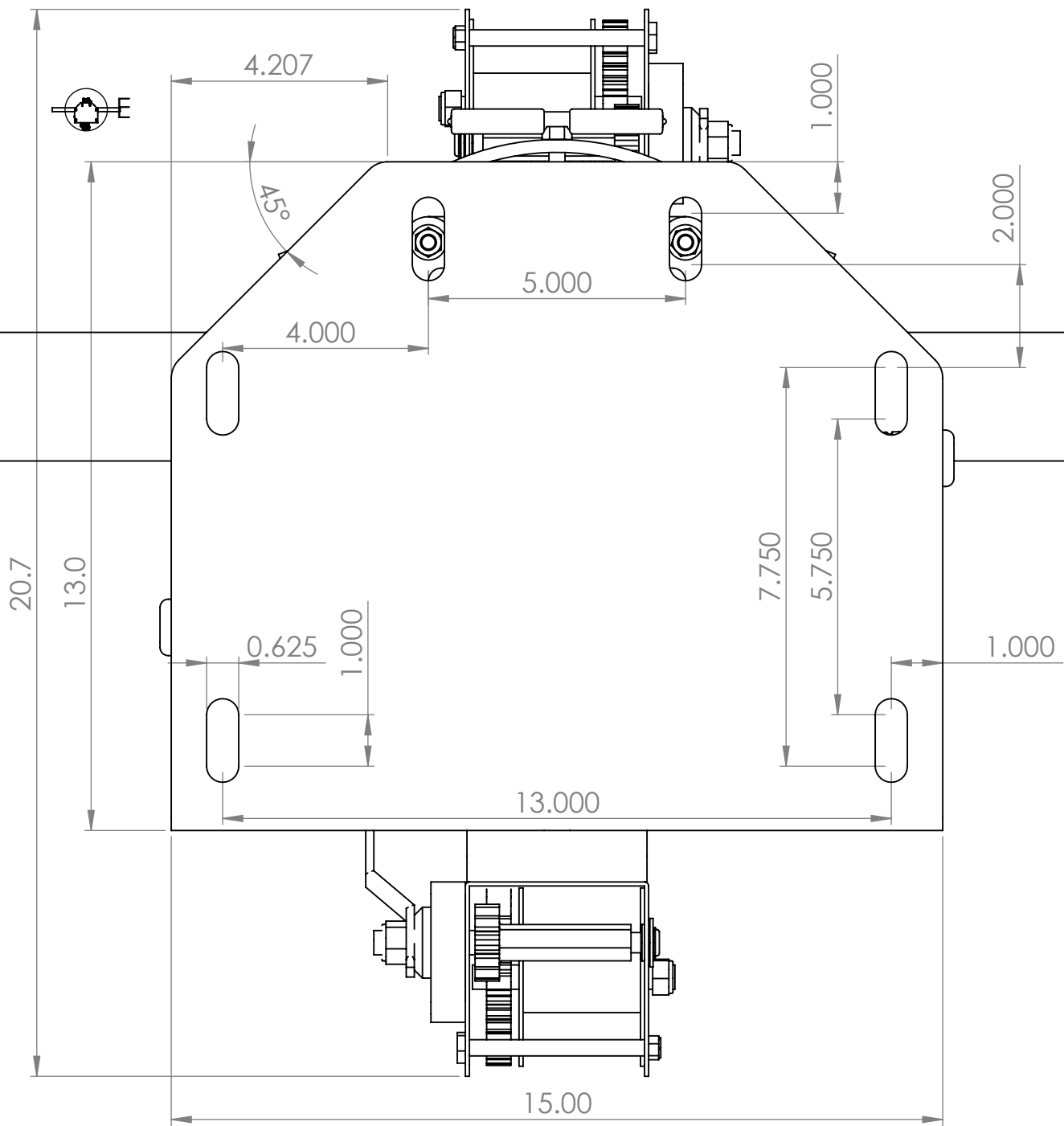
PART NUMBER:
LM-15-5-4S

PROPRIETARY AND CONFIDENTIAL
THE INFORMATION CONTAINED IN THIS DRAWING IS THE SOLE PROPERTY OF LARSON ELECTRONICS LLC. ANY REPRODUCTION IN PART OR AS A WHOLE WITHOUT THE WRITTEN PERMISSION OF LARSON ELECTRONICS LLC IS PROHIBITED.

UNLESS OTHERWISE NOTED:
Angle +/- 5 deg.
X +/- 1/2
.X +/- 1/4
.XX +/- 1/8

DIMENSIONS ARE IN INCHES		DATE	4/28/2021	SCALE: NTS	SHEET 2 OF 2
DO NOT SCALE DRAWING	DATE	4/28/2021	SCALE: NTS	SHEET 2 OF 2	

SIZE **A** REV **1**



DETAIL E
SCALE 1 : 3



PROPRIETARY AND CONFIDENTIAL
THE INFORMATION CONTAINED IN THIS DRAWING IS THE SOLE PROPERTY OF LARSON ELECTRONICS. ANY REPRODUCTION IN PART OR AS A WHOLE WITHOUT THE WRITTEN PERMISSION OF LARSON ELECTRONICS IS PROHIBITED.

		DIMENSIONS ARE IN INCHES TOLERANCES: FRACTIONAL ± ANGULAR: MACH ± BEND ± TWO PLACE DECIMAL ± THREE PLACE DECIMAL ±
		MATERIAL
		FINISH
NEXT ASSY	USED ON	
APPLICATION		DO NOT SCALE DRAWING

	NAME
DRAWN	JOSH DREDLA
CHECKED	
ENG APPR.	
MFG APPR.	
Q.A.	
COMMENTS:	

LM-15-5-4S		SIZE	DWG. NO.	REV.
		A		
SCALE: 1:100	WEIGHT:	SHEET 2 OF 2		