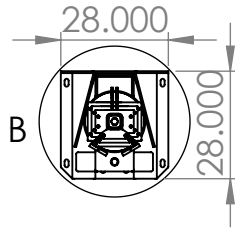
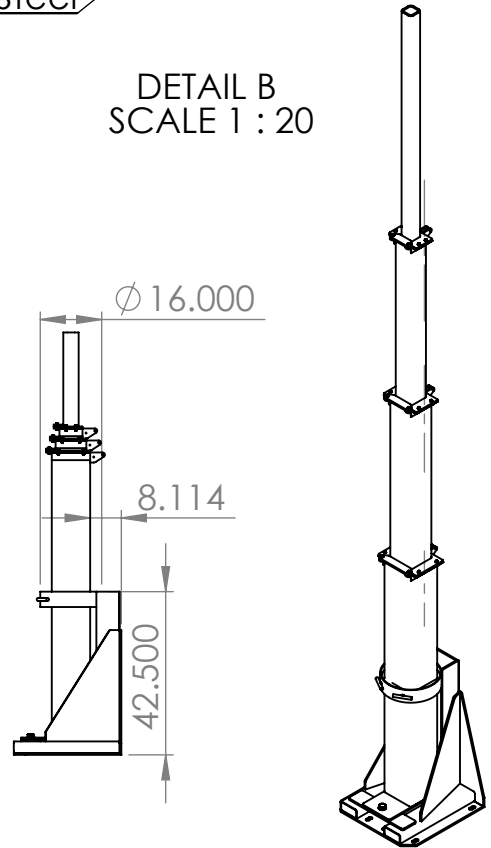
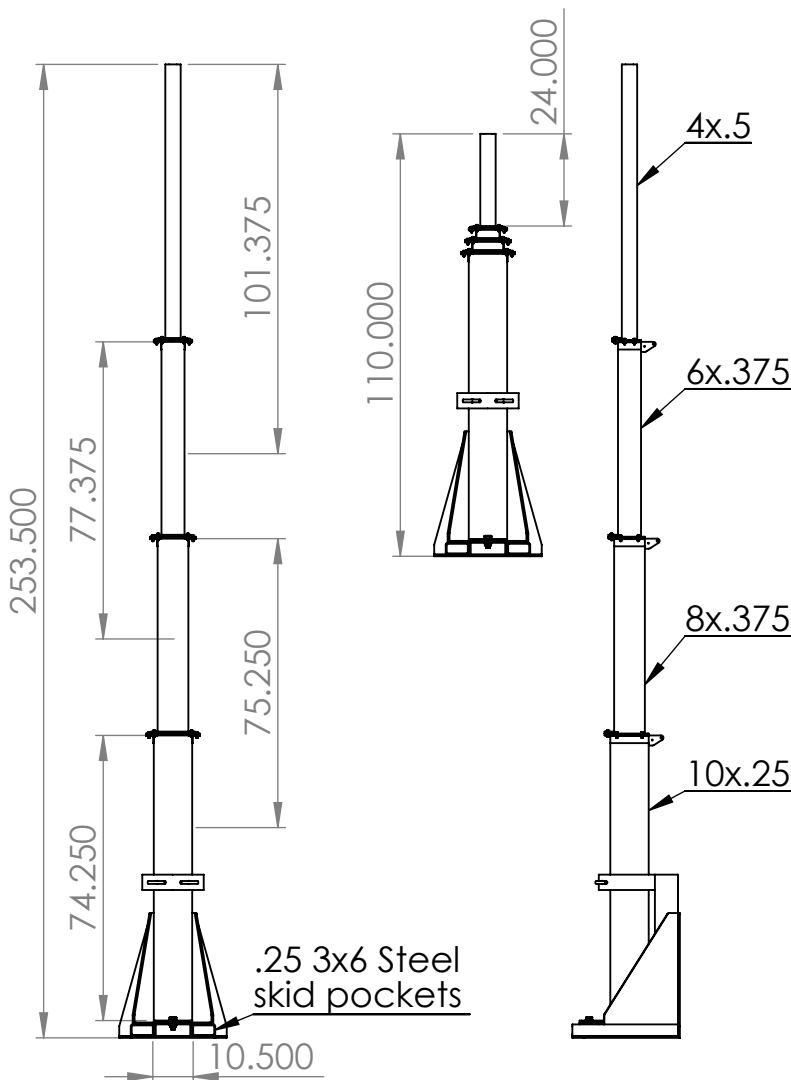
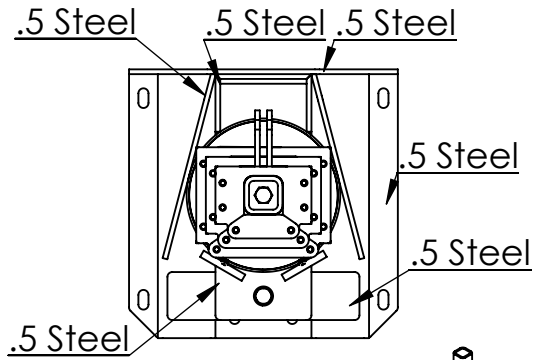


DETAIL A  
SCALE 1 : 20

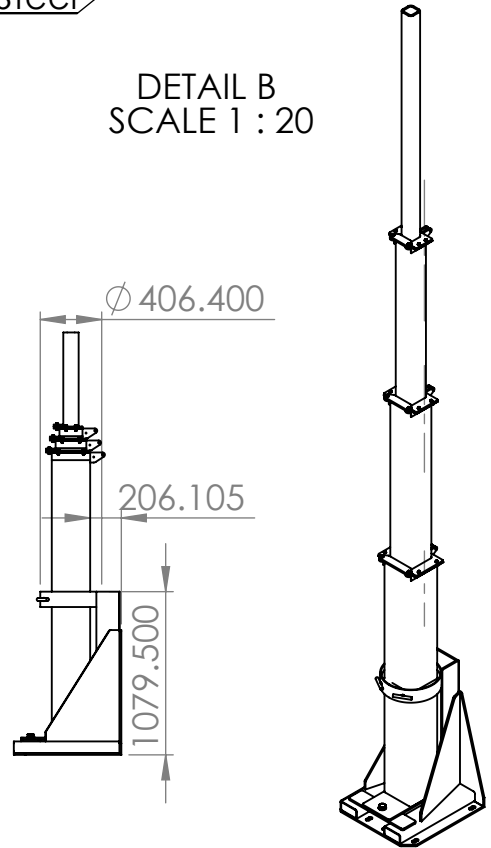
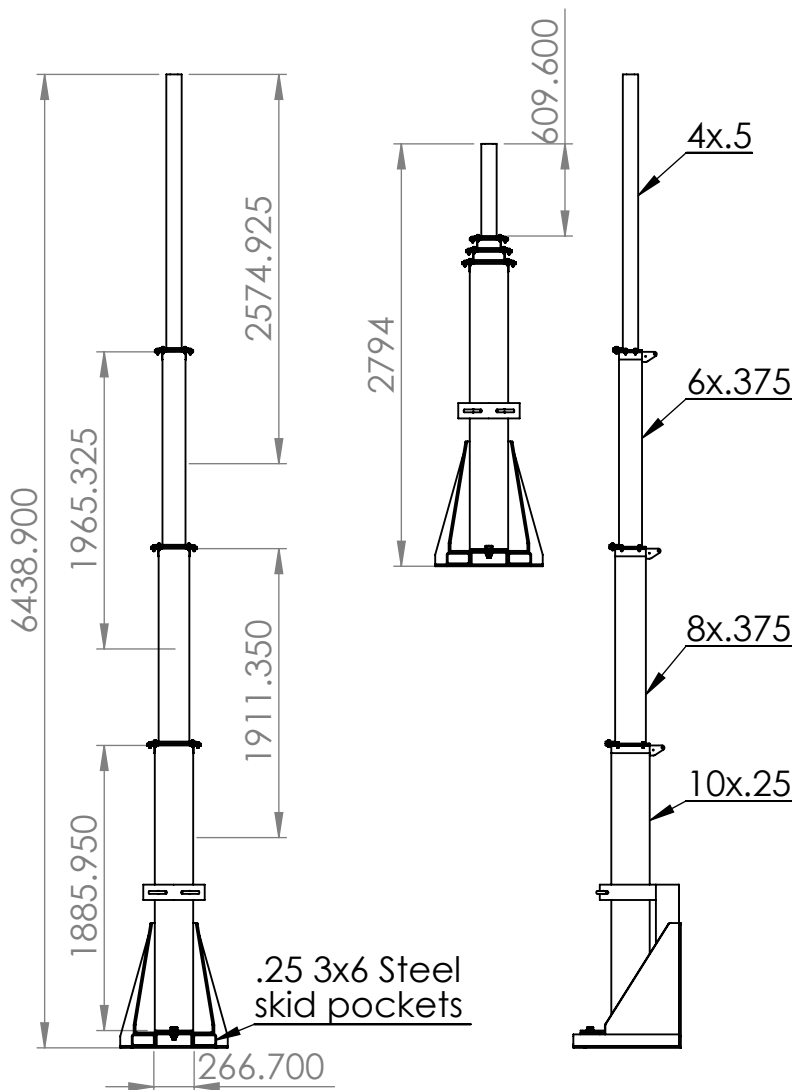
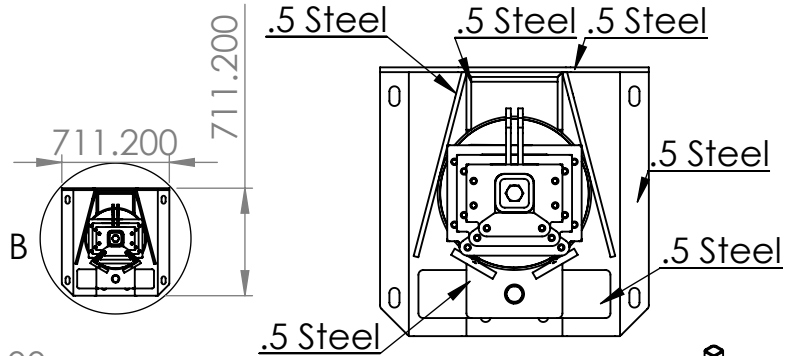
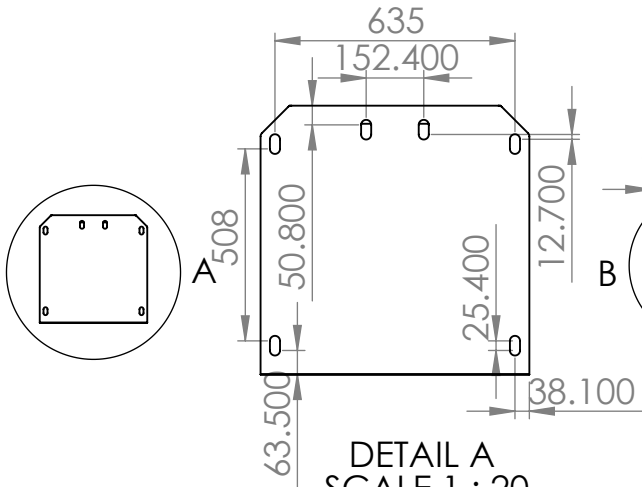


DETAIL B  
SCALE 1 : 20



**PROPRIETARY AND CONFIDENTIAL**  
THE INFORMATION CONTAINED IN THIS DRAWING IS THE SOLE PROPERTY OF LARSON ELECTRONICS. ANY REPRODUCTION IN PART OR AS A WHOLE WITHOUT THE WRITTEN PERMISSION OF LARSON ELECTRONICS IS PROHIBITED.

		DIMENSIONS ARE IN INCHES TOLERANCES: FRACTIONAL ± ANGULAR: MACH ± BEND ± TWO PLACE DECIMAL ± THREE PLACE DECIMAL ±		NAME DRAWN JOSH DREDLA	
		MATERIAL		CHECKED	
		FINISH		ENG APPR.	
NEXT ASSY		USED ON		MFG APPR.	
APPLICATION		DO NOT SCALE DRAWING		Q.A.	
				COMMENTS:	
				<b>LM-21- 9.1-4S-EW</b>	
				SIZE DWG. NO.	REV.
				<b>A</b>	
				SCALE:1:50	WEIGHT:
				SHEET 1 OF 1	



<p><b>PROPRIETARY AND CONFIDENTIAL</b> THE INFORMATION CONTAINED IN THIS DRAWING IS THE SOLE PROPERTY OF LARSON ELECTRONICS. ANY REPRODUCTION IN PART OR AS A WHOLE WITHOUT THE WRITTEN PERMISSION OF LARSON ELECTRONICS IS PROHIBITED.</p>			DIMENSIONS ARE IN MILLIMETERS TOLERANCES: FRACTIONAL ± ANGULAR: MACH ± BEND ± TWO PLACE DECIMAL ± THREE PLACE DECIMAL ±	NAME DRAWN JOSH DREDLA	<h1>LM-21-9.1-4S-EW</h1>
			MATERIAL	CHECKED	
			FINISH	ENG APPR.	
	NEXT ASSY	USED ON		MFG APPR.	
	APPLICATION		DO NOT SCALE DRAWING	Q.A.	
			COMMENTS:		SIZE DWG. NO. REV.
					A 1:50 WEIGHT: SHEET 1 OF 1