

**PROPRIETARY AND CONFIDENTIAL**  
 THE INFORMATION CONTAINED IN THIS DRAWING IS THE SOLE PROPERTY OF LARSON ELECTRONICS LLC. ANY REPRODUCTION IN PART OR AS A WHOLE WITHOUT THE WRITTEN PERMISSION OF LARSON ELECTRONICS LLC IS PROHIBITED.

DIMENSIONS ARE IN INCHES		DRAWN	NAME		SIZE	DWG. NO.	REV
MATERIAL		CHECKED	JOSH DREDLA		<b>A</b>		
DO NOT SCALE DRAWING			JEREMY BLANKENSHIP				
					SCALE: 1:50	SHEET 1 OF 2	

TITLE:  
**LM-30-HZ-4X400**  
**LTL-LED-EW-WB**

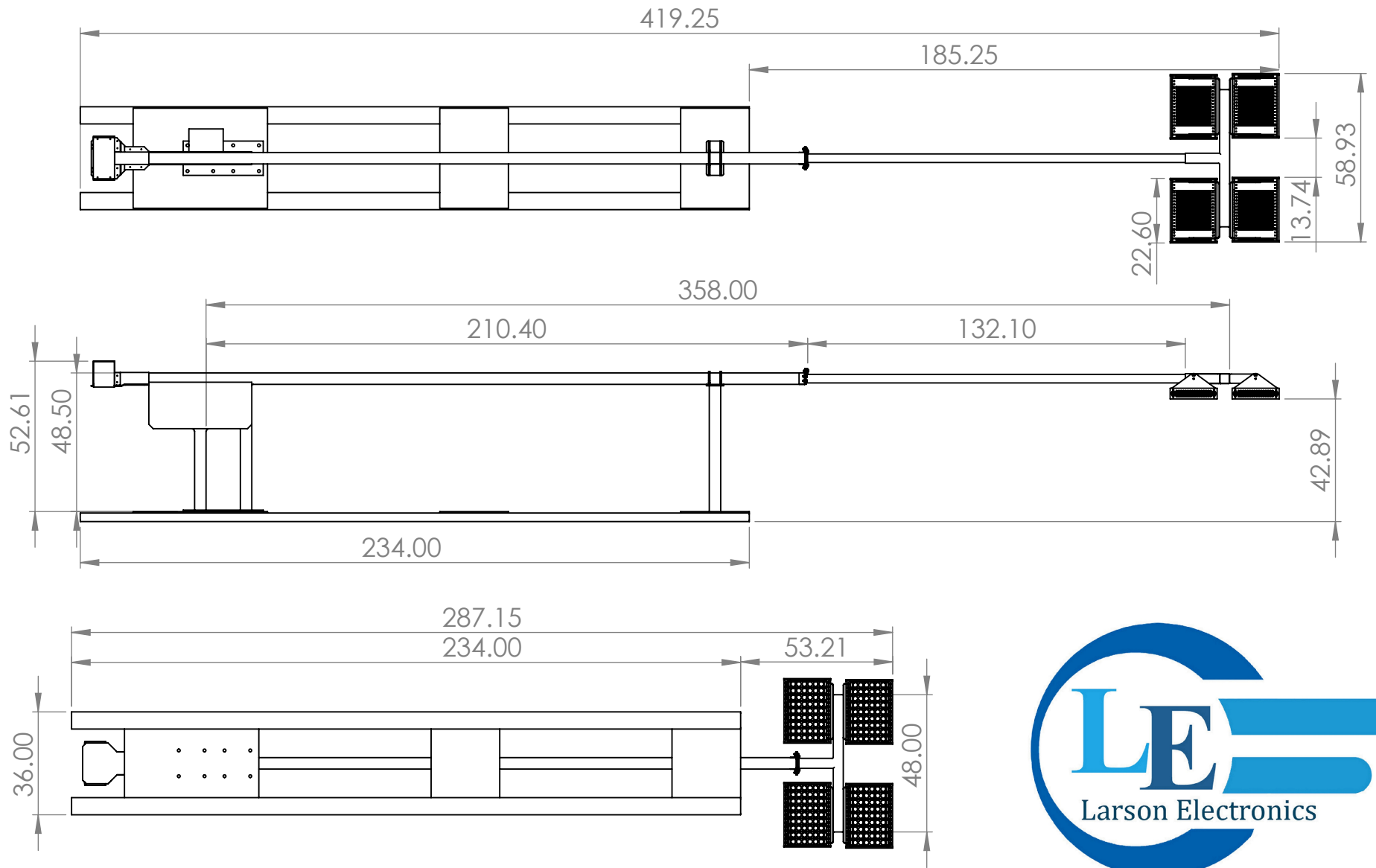
5

4

3

2

1



TITLE:  
**LM-30-HZ-4X400**  
**LTL-LED-EW-WB**

**PROPRIETARY AND CONFIDENTIAL**  
 THE INFORMATION CONTAINED IN THIS DRAWING IS THE SOLE PROPERTY OF LARSON ELECTRONICS LLC. ANY REPRODUCTION IN PART OR AS A WHOLE WITHOUT THE WRITTEN PERMISSION OF LARSON ELECTRONICS LLC IS PROHIBITED.

DIMENSIONS ARE IN INCHES		DRAWN	NAME	
		JOSH DREDLA	JOSH DREDLA	
MATERIAL		CHECKED	JEREMY BLANKENSHIP	
DO NOT SCALE DRAWING			SIZE	DWG. NO.
			<b>A</b>	
			SCALE: 1:50	REV
				SHEET 2 OF 2

5

4

3

2

1