



TITLE:		<b>LM-5-1S</b>		
NAME	SIZE	DWG. NO.	REV	
CHRIS THAUER	<b>A</b>			
MATERIAL	CHECKED	JEREMY BLANKENSHIP		
DO NOT SCALE DRAWING		SCALE: 1:30	SHEET 1 OF 3	

**PROPRIETARY AND CONFIDENTIAL**  
 THE INFORMATION CONTAINED IN THIS DRAWING IS THE SOLE PROPERTY OF LARSON ELECTRONICS LLC. ANY REPRODUCTION IN PART OR AS A WHOLE WITHOUT THE WRITTEN PERMISSION OF LARSON ELECTRONICS LLC IS PROHIBITED.

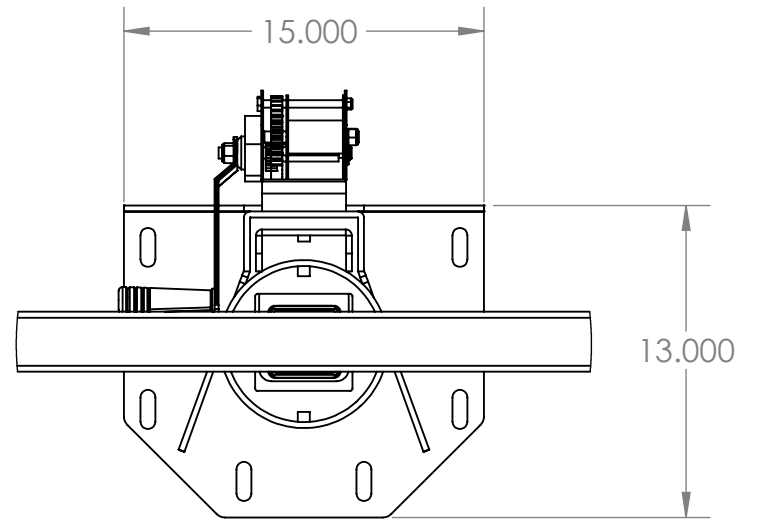
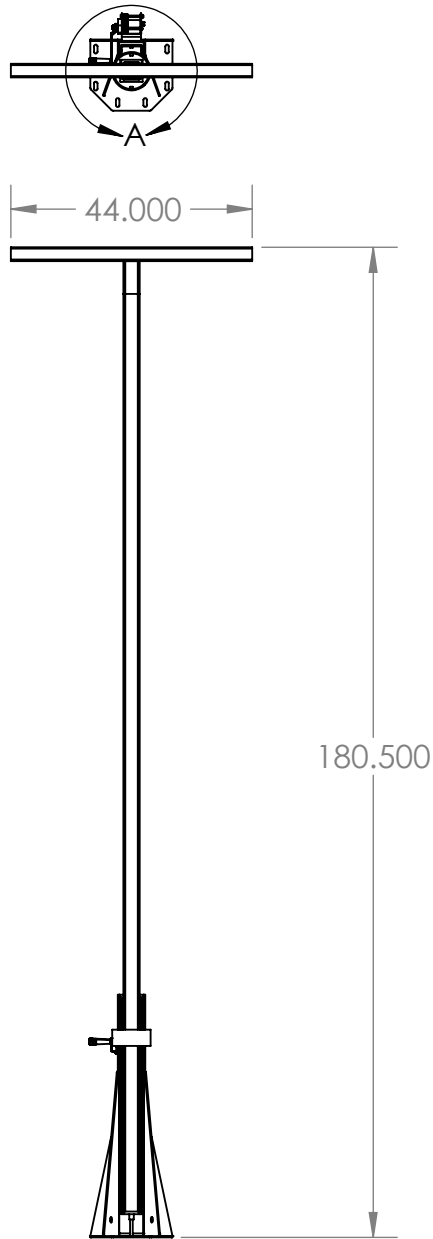
5

4

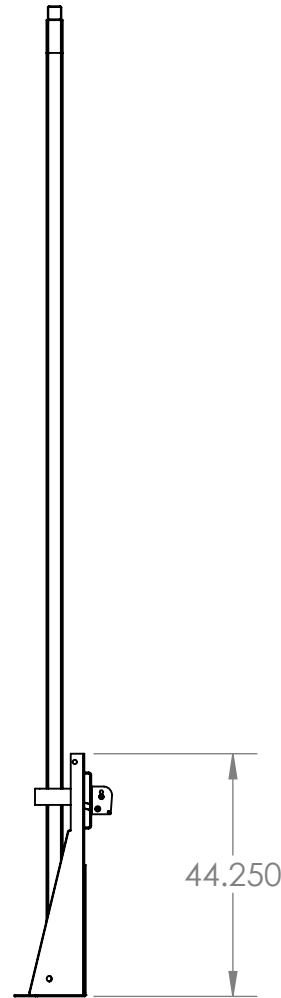
3

2

1

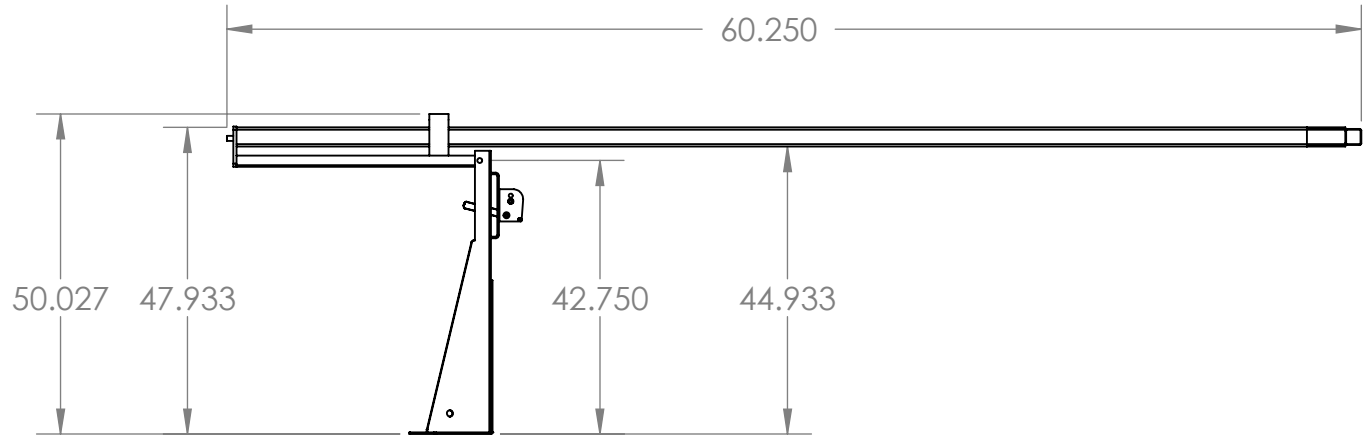
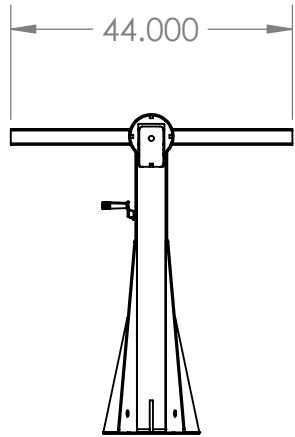


DETAIL A  
SCALE 1 : 8



TITLE:		<b>LM-5-1S</b>		
NAME	SIZE	DWG. NO.	REV	
CHRIS THAUER	<b>A</b>			
MATERIAL	CHECKED	JEREMY BLANKENSHIP		
DO NOT SCALE DRAWING		SCALE: 1:35	SHEET 2 OF 3	

**PROPRIETARY AND CONFIDENTIAL**  
 THE INFORMATION CONTAINED IN THIS DRAWING IS THE SOLE PROPERTY OF LARSON ELECTRONICS LLC. ANY REPRODUCTION IN PART OR AS A WHOLE WITHOUT THE WRITTEN PERMISSION OF LARSON ELECTRONICS LLC IS PROHIBITED.



TITLE:			
<b>LM-5-1S</b>			
NAME	SIZE	DWG. NO.	REV
CHRIS THAUER	<b>A</b>		
MATERIAL	CHECKED	JEREMY BLANKENSHIP	
DO NOT SCALE DRAWING	SCALE: 1:30		SHEET 3 OF 3

**PROPRIETARY AND CONFIDENTIAL**  
 THE INFORMATION CONTAINED IN THIS DRAWING IS THE SOLE PROPERTY OF LARSON ELECTRONICS LLC. ANY REPRODUCTION IN PART OR AS A WHOLE WITHOUT THE WRITTEN PERMISSION OF LARSON ELECTRONICS LLC IS PROHIBITED.

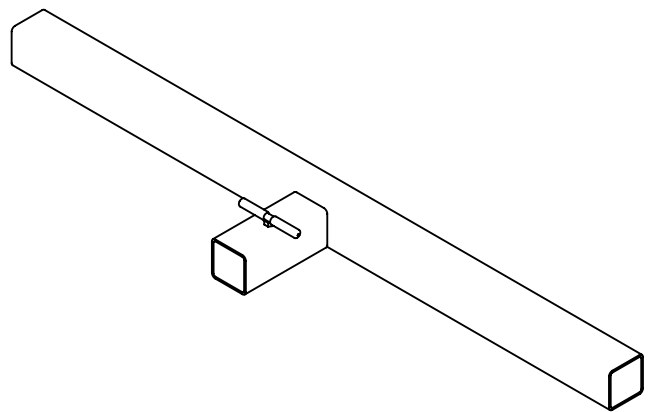
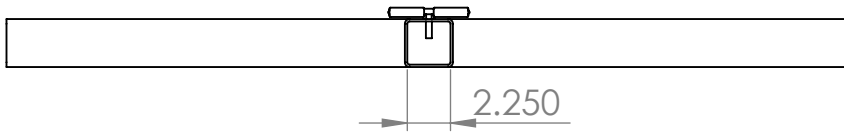
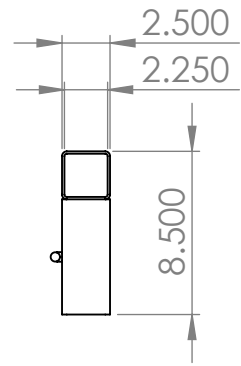
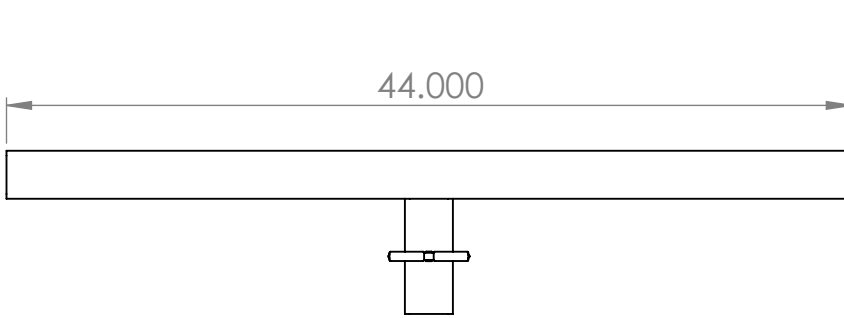
5

4

3

2

1



**PROPRIETARY AND CONFIDENTIAL**  
 THE INFORMATION CONTAINED IN THIS DRAWING IS THE SOLE PROPERTY OF LARSON ELECTRONICS. ANY REPRODUCTION IN PART OR AS A WHOLE WITHOUT THE WRITTEN PERMISSION OF LARSON ELECTRONICS IS PROHIBITED.

		DIMENSIONS ARE IN INCHES TOLERANCES: FRACTIONAL ± ANGULAR: MACH ± BEND ± TWO PLACE DECIMAL ± THREE PLACE DECIMAL ±		NAME DRAWN JOSH DREDLA	
		MATERIAL		CHECKED	
		FINISH		ENG APPR.	
NEXT ASSY	USED ON			MFG APPR.	
APPLICATION		DO NOT SCALE DRAWING		Q.A.	
				COMMENTS:	
				<b>LM-UMB</b>	
				SIZE <b>A</b>	DWG. NO.
				SCALE:1:10	WEIGHT:
				REV.	
				SHEET 1 OF 1	

