

6

5

4

3

2

1

F

F

E

E

D

D

C

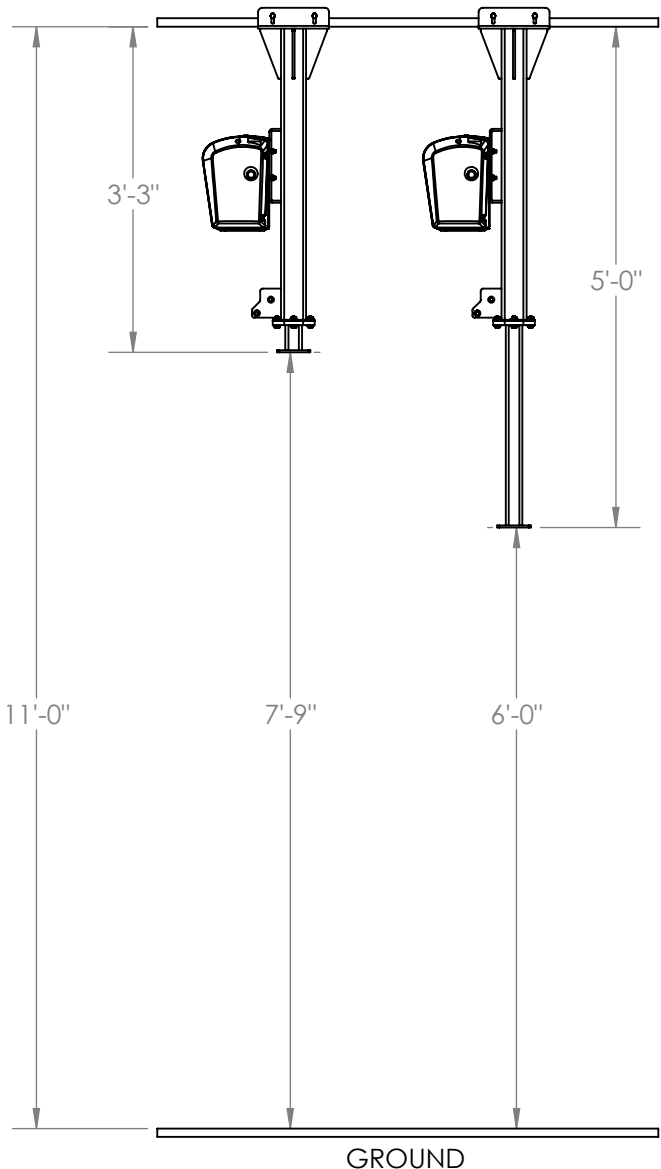
C

B

B

A

A



TITLE:			
LM-CLG-16-FM-EW			
SIZE	DWG. NO.	REV	
A			
SCALE: NTS		SHEET 1 OF 1	

FINISH		NAME	
SURFACE AREA [sq. in.]		DRAWN	CHRISTOPHER THAUER
DIMENSIONS ARE IN INCHES		CHECKED	N/A
MATERIAL		DATE	3/3/2021
DO NOT SCALE DRAWING			

PROPRIETARY AND CONFIDENTIAL
 THE INFORMATION CONTAINED IN THIS DRAWING IS THE SOLE PROPERTY OF LARSON ELECTRONICS LLC. ANY REPRODUCTION IN PART OR AS A WHOLE WITHOUT THE WRITTEN PERMISSION OF LARSON ELECTRONICS LLC IS PROHIBITED.

UNLESS OTHERWISE NOTED:
 Angle +/- .5 deg
 .X +/- .02
 .XX +/- .01
 .XXX +/- .005

6

5

4

3

2

1