

PROPRIETARY AND CONFIDENTIAL
 THE INFORMATION CONTAINED IN THIS DRAWING IS THE SOLE PROPERTY OF LARSON ELECTRONICS LLC. ANY REPRODUCTION IN PART OR AS A WHOLE WITHOUT THE WRITTEN PERMISSION OF LARSON ELECTRONICS LLC IS PROHIBITED.

TITLE:
LM-QP-22-8.8-4S-4X150LTL-50C

SIZE A	DWG. NO.	REV A
------------------	----------	-----------------

DIMENSIONS ARE IN INCHES				
DO NOT SCALE DRAWING	DATE	05/09/2018	SCALE: NTS	SHEET 2 OF 3

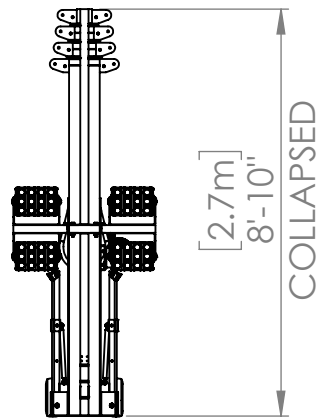
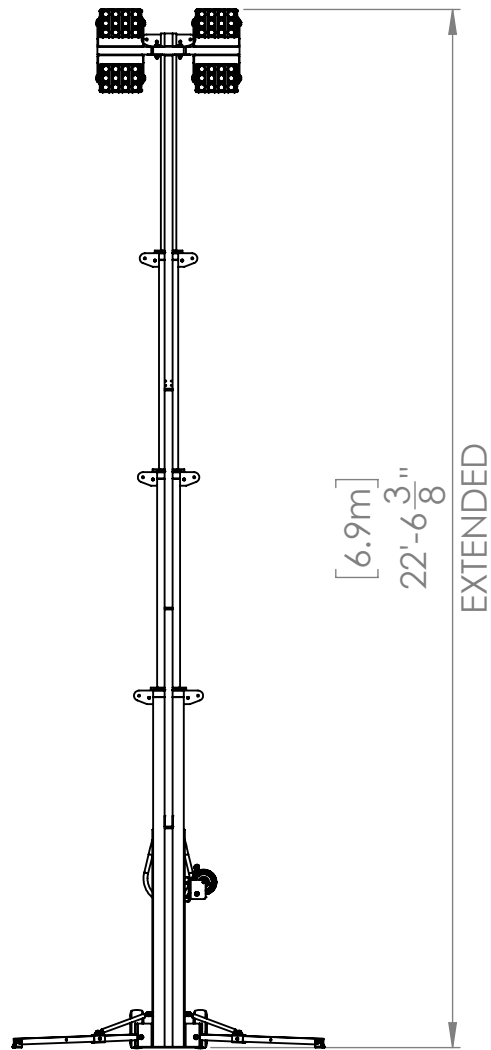
5

4

3

2

1



PROPRIETARY AND CONFIDENTIAL
 THE INFORMATION CONTAINED IN THIS DRAWING IS THE SOLE PROPERTY OF LARSON ELECTRONICS LLC. ANY REPRODUCTION IN PART OR AS A WHOLE WITHOUT THE WRITTEN PERMISSION OF LARSON ELECTRONICS LLC IS PROHIBITED.

TITLE:
LM-QP-22-8.8-4S-4X150LTL-50C

SIZE A	DWG. NO.	REV A
------------------	----------	-----------------

DIMENSIONS ARE IN INCHES				
DO NOT SCALE DRAWING	DATE	05/09/2018	SCALE: NTS	SHEET 3 OF 3

5

4

3

2

1