

6

5

4

3

2

1

F

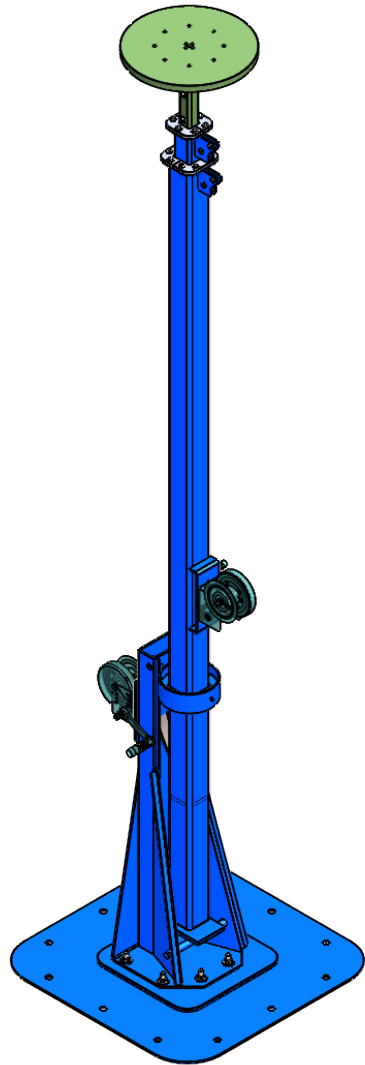
E

D

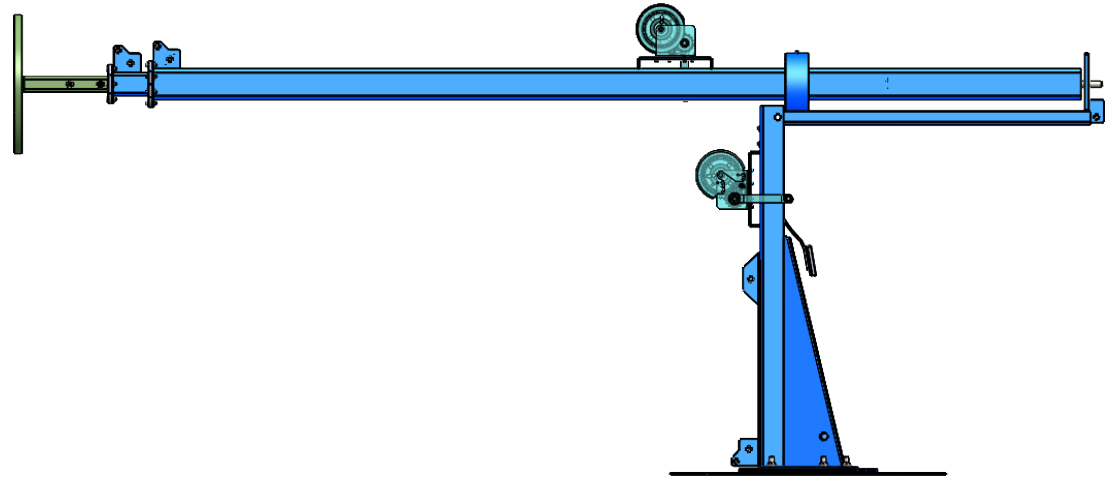
C

B

A



WORKING POSITION



TRAVELLING POSITION



PART NUMBER:
LM-FPT-25-3S-18D-
M2

PROPRIETARY AND CONFIDENTIAL
 THE INFORMATION CONTAINED IN THIS DRAWING IS THE SOLE PROPERTY OF LARSON ELECTRONICS LLC. ANY REPRODUCTION IN PART OR AS A WHOLE WITHOUT THE WRITTEN PERMISSION OF LARSON ELECTRONICS LLC IS PROHIBITED.

DIMENSIONS ARE IN INCHES						
DO NOT SCALE DRAWING	DATE	2/19/2021	SCALE: NTS		SHEET 1 OF 24	

SIZE **A** REV **1**

6

5

4

3

2

1

F

E

D

C

B

A

6

5

4

3

2

1

EXTENDED

[25'2.00"]
302.00

[25'0.00"]
300.00

[12'2.00"]
146.00

[12'0.00"]
144.00

COLLAPSED



PART NUMBER:
LM-FPT-25-3S-18D-
M2

PROPRIETARY AND CONFIDENTIAL
THE INFORMATION CONTAINED IN THIS
DRAWING IS THE SOLE PROPERTY OF
LARSON ELECTRONICS LLC. ANY
REPRODUCTION IN PART OR AS A WHOLE
WITHOUT THE WRITTEN PERMISSION OF
LARSON ELECTRONICS LLC IS
PROHIBITED.

DIMENSIONS ARE IN INCHES				SIZE A	REV 1
DO NOT SCALE DRAWING	DATE	2/19/2021	SCALE: NTS	SHEET 2 OF 24	

6

5

4

3

2

1

F

E

D

C

B

A