

6

5

4

3

2

1

F

F

E

E

D

D

C

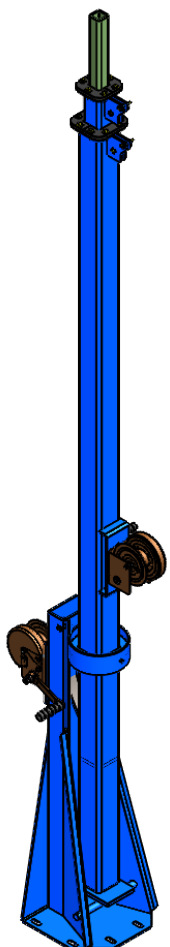
C

B

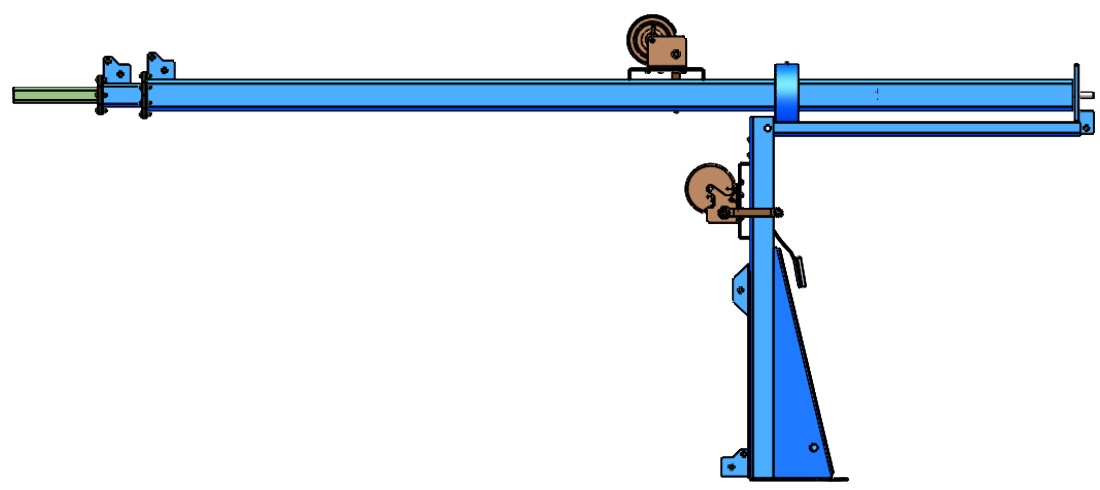
B

A

A



WORKING POSITION



TRAVELLING POSITION



PART NUMBER:
LM-FPT-25-3S-18D-NT

PROPRIETARY AND CONFIDENTIAL
 THE INFORMATION CONTAINED IN THIS DRAWING IS THE SOLE PROPERTY OF LARSON ELECTRONICS LLC. ANY REPRODUCTION IN PART OR AS A WHOLE WITHOUT THE WRITTEN PERMISSION OF LARSON ELECTRONICS LLC IS PROHIBITED.

UNLESS OTHERWISE NOTED:
 Angle +/- 5 deg
 X +/- 1/2
 .X +/- 1/4
 .XX +/- 1/8

DIMENSIONS ARE IN INCHES

DO NOT SCALE DRAWING

DATE

5/6/2021

SIZE
A

SCALE: NTS

REV
1

SHEET 1 OF 3

6

5

4

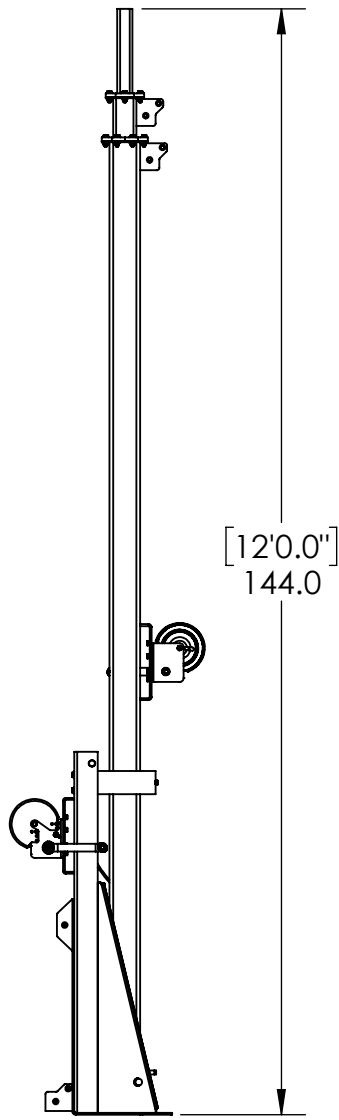
3

2

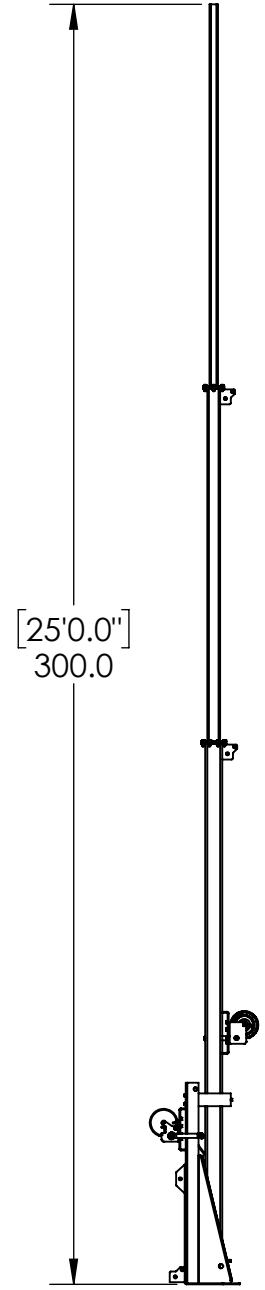
1

6 5 4 3 2 1

F
E
D
C
B
A



COLLAPSED



EXTENDED



PART NUMBER:
LM-FPT-25-3S-18D-NT

PROPRIETARY AND CONFIDENTIAL
THE INFORMATION CONTAINED IN THIS DRAWING IS THE SOLE PROPERTY OF LARSON ELECTRONICS LLC. ANY REPRODUCTION IN PART OR AS A WHOLE WITHOUT THE WRITTEN PERMISSION OF LARSON ELECTRONICS LLC IS PROHIBITED.

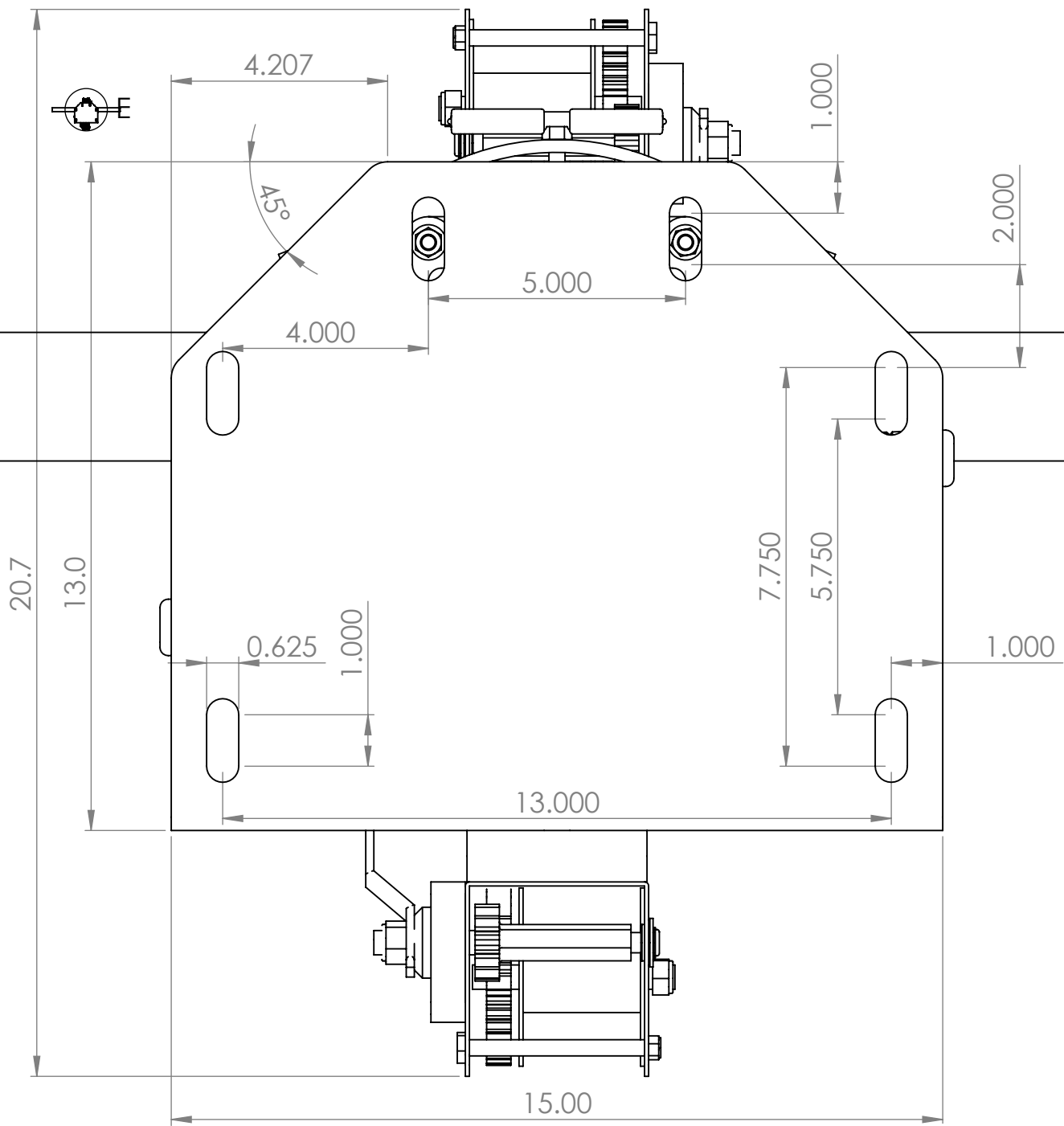
UNLESS OTHERWISE NOTED:
Angle +/- 5 deg
X +/- 1/2
.X +/- 1/4
.XX +/- 1/8

DIMENSIONS ARE IN INCHES		DATE	5/6/2021	SCALE: NTS	SHEET 2 OF 3
--------------------------	--	------	----------	------------	--------------

SIZE **A** REV 1

6 5 4 3 2 1

F
E
D
C
B
A



DETAIL E
SCALE 1 : 3



PROPRIETARY AND CONFIDENTIAL
THE INFORMATION CONTAINED IN THIS DRAWING IS THE SOLE PROPERTY OF LARSON ELECTRONICS. ANY REPRODUCTION IN PART OR AS A WHOLE WITHOUT THE WRITTEN PERMISSION OF LARSON ELECTRONICS IS PROHIBITED.

		DIMENSIONS ARE IN INCHES TOLERANCES: FRACTIONAL ± ANGULAR: MACH ± BEND ± TWO PLACE DECIMAL ± THREE PLACE DECIMAL ±
		MATERIAL
		FINISH
NEXT ASSY	USED ON	
APPLICATION		DO NOT SCALE DRAWING

NAME	
DRAWN	JOSH DREDLA
CHECKED	
ENG APPR.	
MFG APPR.	
Q.A.	
COMMENTS:	

LM-FPT-25-3S-18D-NT

SIZE	DWG. NO.	REV.
A		
SCALE: 1:100	WEIGHT:	SHEET 3 OF 3