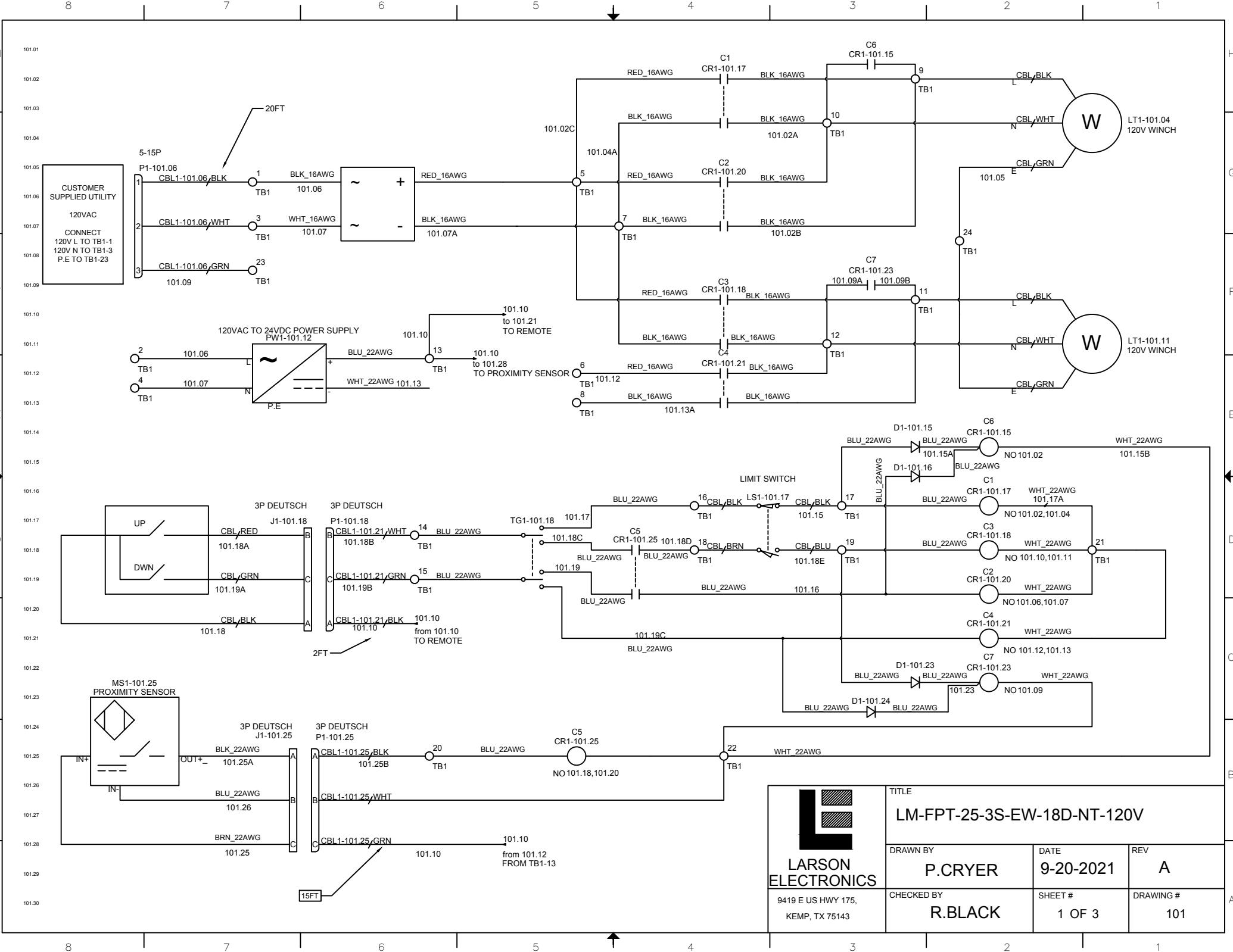



REV	DESCRIPTION	DATE
A	PRODUCTION RELEASE	9-20-2021


LM-FPT-25-3S-EW-18D-NT-120V






 LARSON ELECTRONICS 9419 E US HWY 175, KEMP, TX 75143	TITLE LM-FPT-25-3S-EW-18D-NT-120V		
	DRAWN BY P. CRYER	DATE 9-20-2021	REV A
	CHECKED BY R. BLACK	SHEET # 1 OF 3	DRAWING # 101

TB1							
Device1	Wire1	Type1	Number	Type2	Wire2	Device2	Jumper
P1-101.06	101.06	WIRES	1	BLK_16AWG	101.06	DV1-101.06	● ○ ○
PW1-101.12	101.06	WIRES	2				● ○ ○
P1-101.06	101.07	WIRES	3	WHT_16AWG	101.07	DV1-101.06	● ○ ○
PW1-101.12	101.07	WIRES	4				● ○ ○
CR1-101.17	101.02C	RED_16AWG	5	RED_16AWG	101.02C	DV1-101.06	○ ○ ○
CR1-101.20	101.02C	RED_16AWG		RED_16AWG	101.02C	CR1-101.18	○ ○ ○
CR1-101.21	101.12	RED_16AWG	6				○ ○ ○
CR1-101.17	101.04A	BLK_16AWG	7	BLK_16AWG	101.04A		○ ○ ○
CR1-101.20	101.04A	BLK_16AWG		BLK_16AWG	101.04A	CR1-101.18	○ ○ ○
CR1-101.21	101.13A	BLK_16AWG	8				○ ○ ○
CR1-101.15	101.02B	WIRES	9	BLK_16AWG	101.02B	CR1-101.17	○ ○ ○
LT1-101.04	101.02B	WIRES		BLK_16AWG	101.02B	CR1-101.20	○ ○ ○
CR1-101.15	101.02A	WIRES	10	BLK_16AWG	101.02A	CR1-101.17	○ ○ ○
	101.02A	WIRES		WIRES	101.02A	CR1-101.20	○ ○ ○
CR1-101.23	101.09B	WIRES	11	BLK_16AWG	101.09B	CR1-101.18	○ ○ ○
LT1-101.11	101.09B	WIRES		BLK_16AWG	101.09B	CR1-101.21	○ ○ ○
CR1-101.23	101.09A	WIRES	12	BLK_16AWG	101.09A	CR1-101.18	○ ○ ○
LT1-101.11	101.09A	WIRES		WIRES	101.09A	CR1-101.21	○ ○ ○
P1-101.18	101.10	WIRES	13	BLU_22AWG	101.10	PW1-101.12	○ ○ ○
P1-101.25	101.10	BLU_22AWG					○ ○ ○
P1-101.18	101.18B	WIRES	14	WIRES	101.18B	TG1-101.18	○ ○ ○
P1-101.18	101.19B	WIRES	15	BLU_22AWG	101.19B	TG1-101.18	○ ○ ○
TG1-101.18	101.17	BLU_22AWG	16	BLU_22AWG	101.17	LS1-101.17	○ ○ ○
D1-101.15	101.15	BLU_22AWG	17	BLU_22AWG	101.15	LS1-101.17	○ ○ ○
CR1-101.17	101.15	BLU_22AWG					○ ○ ○
CR1-101.25	101.18D	BLU_22AWG	18	BLU_22AWG	101.18D	LS1-101.17	○ ○ ○
LS1-101.17	101.18E	BLU_22AWG	19	BLU_22AWG	101.18E	CR1-101.18	○ ○ ○
D1-101.23	101.18E	BLU_22AWG					○ ○ ○
P1-101.25	101.25B	BLU_22AWG	20	BLU_22AWG	101.25B	CR1-101.25	○ ○ ○
CR1-101.17	101.17A	WHT_22AWG	21	WHT_22AWG	101.17A	CR1-101.18	○ ○ ○
CR1-101.21	101.17A	WHT_22AWG		WHT_22AWG	101.17A	CR1-101.20	○ ○ ○
CR1-101.15	101.15B	WHT_22AWG	22	WHT_22AWG	101.15B	CR1-101.23	○ ○ ○
CR1-101.25	101.15B	WHT_22AWG		WHT_22AWG	101.15B	P1-101.25	○ ○ ○
P1-101.06	101.09	WIRES	23				○ ○ ○
LT1-101.04	101.05	WIRES	24	WIRES	101.05	LT1-101.11	○ ○ ○

 LARSON ELECTRONICS 9419 E US HWY 175, KEMP, TX 75143	TITLE LM-FPT-25-3S-EW-18D-NT-120V		
	DRAWN BY P.CRYER	DATE 9-20-2021	REV A
	CHECKED BY R.BLACK	SHEET # 2 OF 3	DRAWING # 102

TAGS	QTY	CATALOG	DESCRIPTION
P1-101.18 P1-101.25	2	UNV00005481	DEUTSCH CONNECTOR - 3 POSITION - MALE
J1-101.18 J1-101.25	2	UNV00005477	DEUTSCH CONNECTOR - 3 POSITION - FEMALE
P1-101.06	1	UNV00006731	PLUG-STRAIGHT BLADE - 15A - NEMA 5-15
CR1-101.15 CR1-101.23	2	UNV00015261	RELAY- ICE CUBE PLUG IN- SPDT- 24VDC COIL - 15A
CR1-101.17 CR1-101.18 CR1-101.20 CR1-101.21 CR1-101.25	5	UNV00013952	24VDC GENERAL PURPOSE RELY-30A-DIN RAIL MOUNT
D1-101.15 D1-101.16 D1-101.23 D1-101.24	4	UNV00012368	1A 1000V THROUGH HOLE DIODE
LS1-101.17	1	UNV00012297	COMPACT LIMIT SWITCH-METAL PLUNGER-(1)N.O./(1)N.C. CONTACT(S)-SNAP ACTION-35MM WIDE BODY
LT1-101.04 LT1-101.11	2	UNV00003127	120VAC ELECTRIC WINCH-8A
MS1-101.25	1	UNV00016446	INDUCTIVE PROXIMITY SENSOR - 18MMX46.9MM NO - 5MM SENSING DISTANCE
PW1-101.12	1	UNV00014068	100-240VAC TO 24VDC AC/DC CONVERTER- 15W-DIN RAIL MOUNT
TG1-101.18	1	UNV00007578	DPDT TOGGLE SWITCH - 25A 125V
TB1	1	UNV00013976	
TB1	2	UNV00013989	2 POLE GROUNDING TERMINAL BLOCK
TB1	2	UNV00013975	FEED THROUGH 4 POINT TERMINAL BLOCK-BLUE-SCREWLESS
TB1	16	UNV00013974	FEED THROUGH 4 POINT TERMINAL BLOCK-GRAY-SCREWLESS
TB1	2	UNV00013970	FEED THROUGH 2 POINT TERMINAL BLOCK-BLUE-SCREWLESS
TB1	2	UNV00013972	24P CUT TO LENGTH JUMPER FOR 2 HOLE BLOCKS
TB1	2	UNV00013971	FEED THROUGH 2 POINT TERMINAL BLOCK-GRAY-SCREWLESS
CBL1-101.06 CBL1-101.21 CBL1-101.25	3	UNV00007524	CORD 16/3 SOOW UL 90C BLK

 LARSON ELECTRONICS 9419 E US HWY 175, KEMP, TX 75143	TITLE LM-FPT-25-3S-EW-18D-NT-120V		
	DRAWN BY P.CRYER	DATE 9-20-2021	REV A
	CHECKED BY R.BLACK	SHEET # 3 OF 3	DRAWING # 103