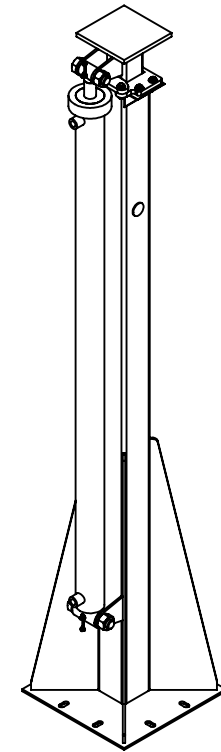
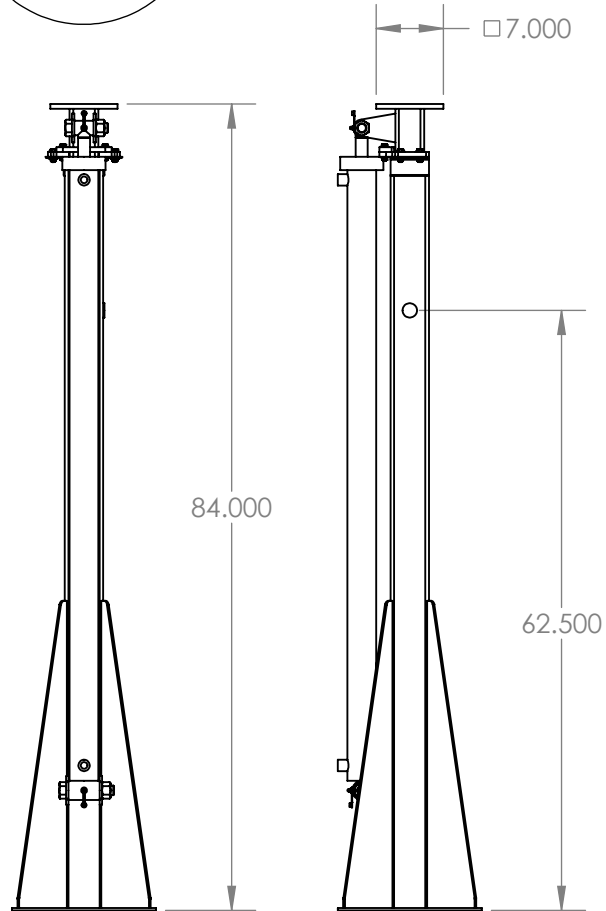


DETAIL A
SCALE 1 : 6

.600 X 1.250



TITLE:

LM-HA-12-7-2S-FM

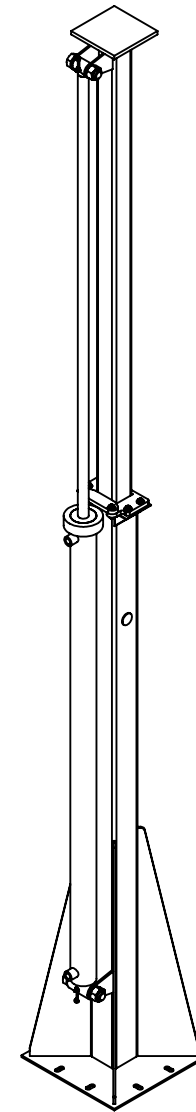
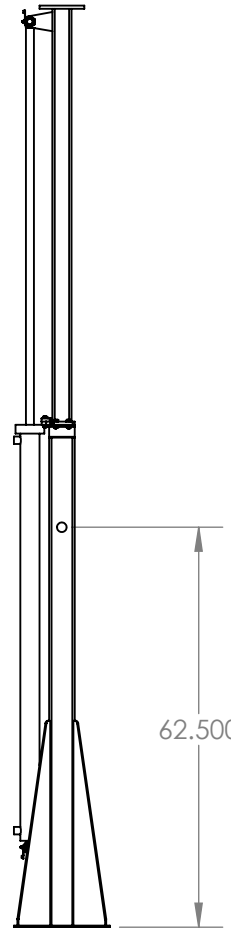
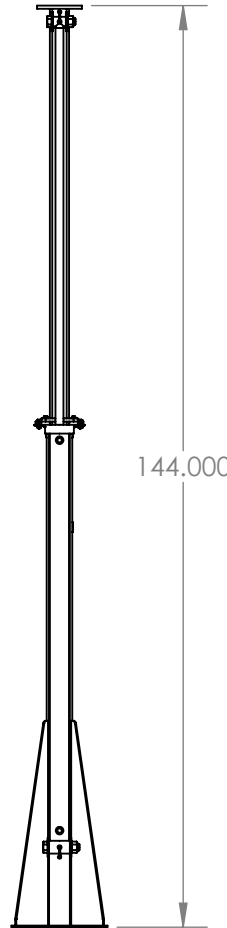
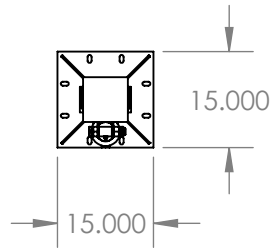
PROPRIETARY AND CONFIDENTIAL
THE INFORMATION CONTAINED IN THIS DRAWING IS THE SOLE PROPERTY OF LARSON ELECTRONICS LLC. ANY REPRODUCTION IN PART OR AS A WHOLE WITHOUT THE WRITTEN PERMISSION OF LARSON ELECTRONICS LLC IS PROHIBITED.

UNLESS OTHERWISE NOTED:

Angle +/- .5 deg
.X +/- .02
.XX +/- .01
.XXX +/- .005

FINISH		NAME	
SURFACE AREA [sq. in]		DRAWN	CHRISTOPHER THAUER
DIMENSIONS ARE IN INCHES		CHECKED	N/A
MATERIAL		DATE	2/1/2018
DO NOT SCALE DRAWING			

SIZE	DWG. NO.	REV
A		
SCALE: NTS		SHEET 1 OF 2



TITLE:

LM-HA-12-7-2S-FM

FINISH		NAME
SURFACE AREA [sq. in.]		CHRISTOPHER THAUER
DIMENSIONS ARE IN INCHES	DRAWN	
MATERIAL	CHECKED	N/A
DO NOT SCALE DRAWING	DATE	2/1/2018

SIZE A	DWG. NO.	REV
SCALE: NTS		SHEET 2 OF 2

PROPRIETARY AND CONFIDENTIAL
THE INFORMATION CONTAINED IN THIS DRAWING IS THE SOLE PROPERTY OF LARSON ELECTRONICS LLC. ANY REPRODUCTION IN PART OR AS A WHOLE WITHOUT THE WRITTEN PERMISSION OF LARSON ELECTRONICS LLC IS PROHIBITED.

UNLESS OTHERWISE NOTED:
Angle +/- .5 deg
.X +/- .02
.XX +/- .01
.XXX +/- .005