

6

5

4

3

2

1

F

F

E

E

D

D

C

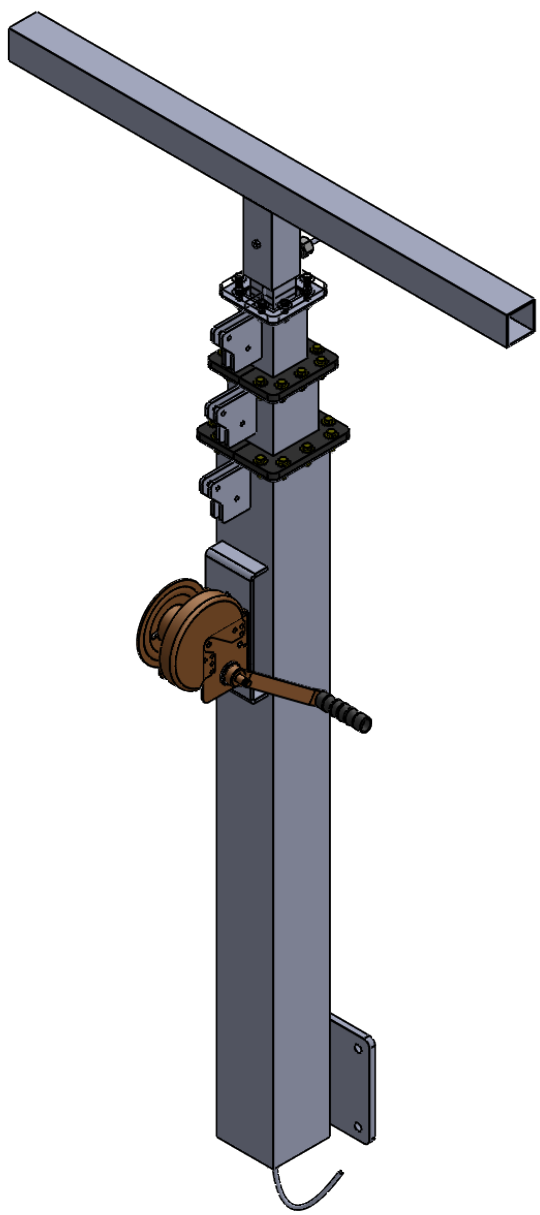
C

B

B

A

A



PART NUMBER:		
<b>LM-WM-15-5-4S- ALU-RG59</b>		
SIZE		REV
<b>A</b>		<b>1</b>
SCALE: NTS		SHEET 1 OF 2

**PROPRIETARY AND CONFIDENTIAL**  
 THE INFORMATION CONTAINED IN THIS DRAWING IS THE SOLE PROPERTY OF LARSON ELECTRONICS LLC. ANY REPRODUCTION IN PART OR AS A WHOLE WITHOUT THE WRITTEN PERMISSION OF LARSON ELECTRONICS LLC IS PROHIBITED.

UNLESS OTHERWISE NOTED:  
 Angle +/- 5 deg  
 X +/- 1/2  
 .X +/- 1/4  
 .XX +/- 1/8

DIMENSIONS ARE IN INCHES		
DO NOT SCALE DRAWING	DATE	6/25/2021

6

5

4

3

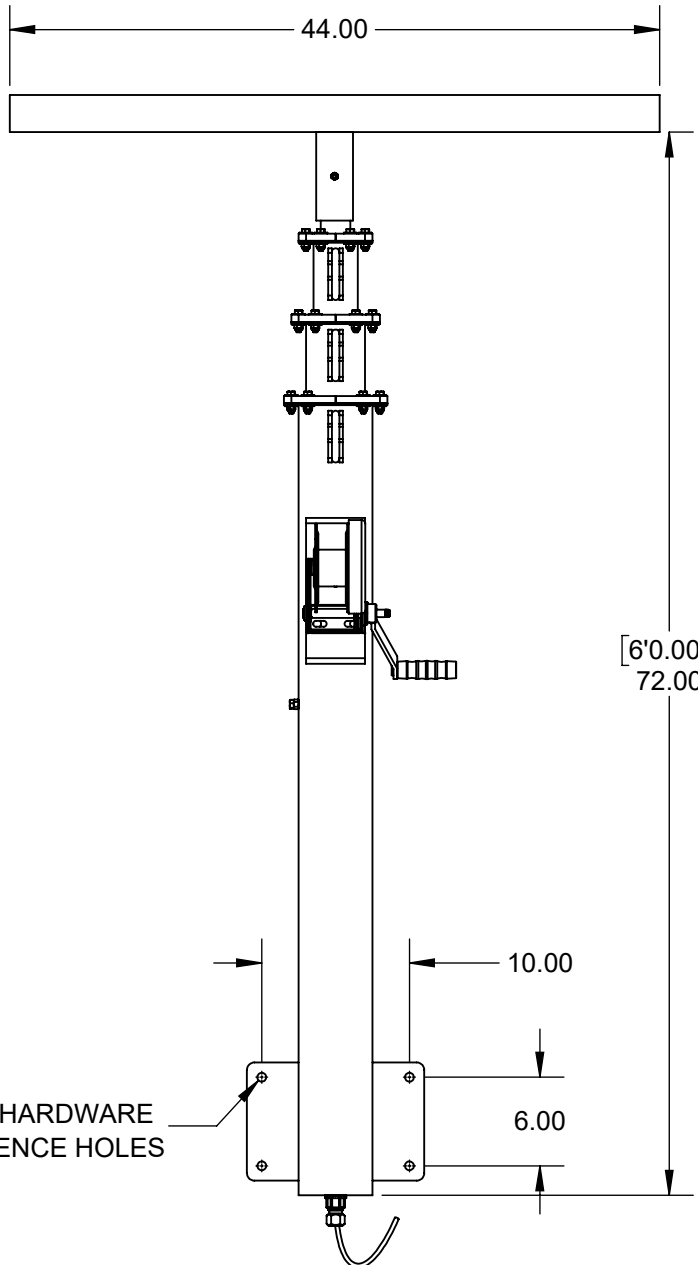
2

1

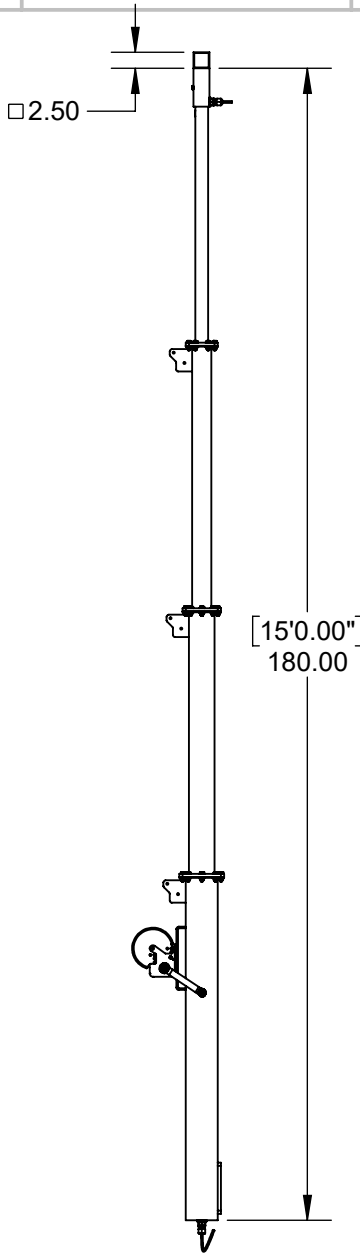
6 5 4 3 2 1

F  
E  
D  
C  
B  
A

F  
E  
D  
C  
B  
A



COLLAPSED



EXTENDED



PART NUMBER:  
**LM-WM-15-5-4S-  
ALU-RG59**

**PROPRIETARY AND CONFIDENTIAL**  
THE INFORMATION CONTAINED IN THIS DRAWING IS THE SOLE PROPERTY OF LARSON ELECTRONICS LLC. ANY REPRODUCTION IN PART OR AS A WHOLE WITHOUT THE WRITTEN PERMISSION OF LARSON ELECTRONICS LLC IS PROHIBITED.

UNLESS OTHERWISE NOTED:  
Angle +/- 5 deg  
X +/- 1/2  
.X +/- 1/4  
.XX +/- 1/8

DIMENSIONS ARE IN INCHES		DATE	6/25/2021	SCALE: NTS	SHEET 2 OF 2
--------------------------	--	------	-----------	------------	--------------

SIZE		REV	
<b>A</b>		<b>1</b>	

6 5 4 3 2 1