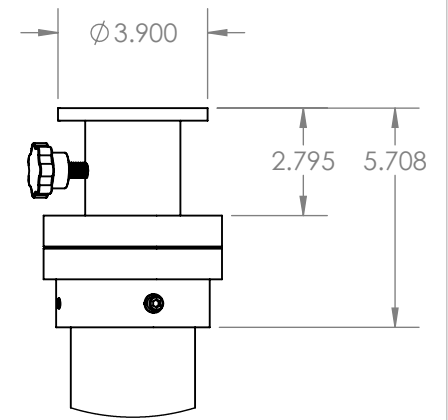
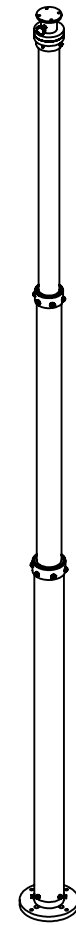
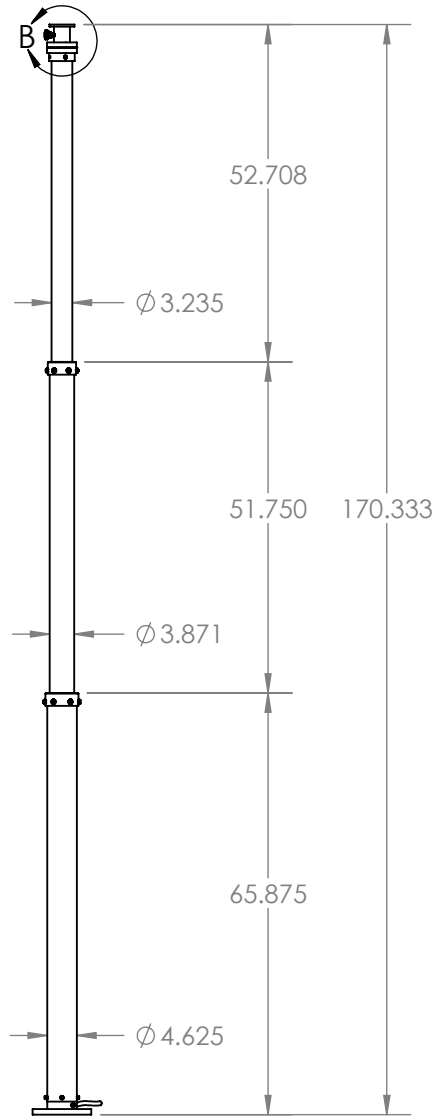
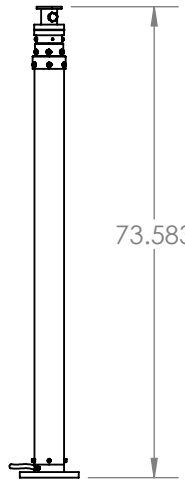
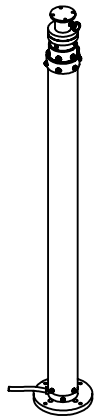
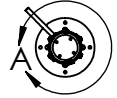
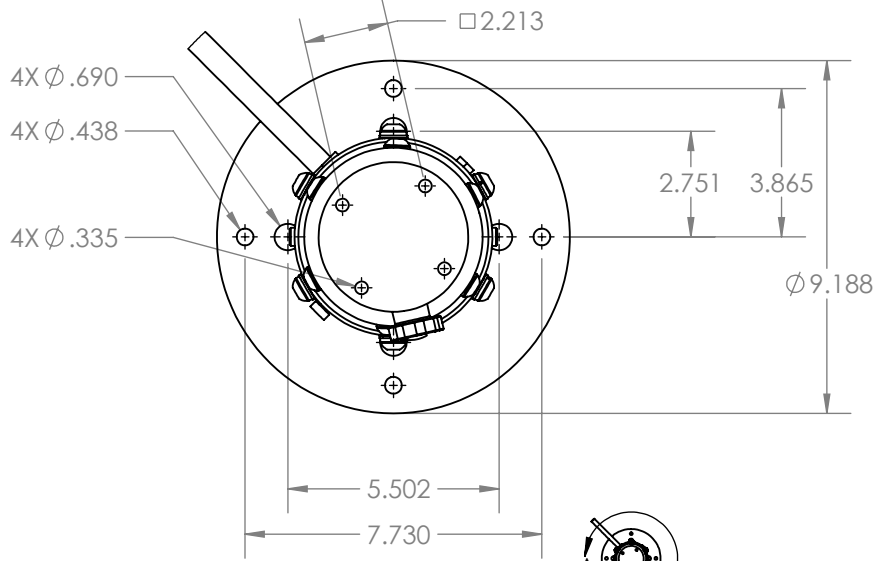


DETAIL A
SCALE 1 : 5



DETAIL B
SCALE 1 : 5



TITLE:
PLM-13.5-3XCAT6-NAC

PROPRIETARY AND CONFIDENTIAL
THE INFORMATION CONTAINED IN THIS DRAWING IS THE SOLE PROPERTY OF LARSON ELECTRONICS LLC. ANY REPRODUCTION IN PART OR AS A WHOLE WITHOUT THE WRITTEN PERMISSION OF LARSON ELECTRONICS LLC IS PROHIBITED.

DIMENSIONS ARE IN INCHES		DRAWN	CHRIS THAUER	SIZE	DWG. NO.	REV
MATERIAL		CHECKED	JEREMY BLANKENSHIP	A		
DO NOT SCALE DRAWING				SCALE: 1:30		SHEET 1 OF 1

5

4

3

2

1