

TITLE:			
PLM-15-5S			
NAME	SIZE	DWG. NO.	REV
CHRIS THAUER	A		
MATERIAL	CHECKED	JEREMY BLANKENSHIP	
DO NOT SCALE DRAWING	SCALE: 1:30	SHEET 1 OF 1	

PROPRIETARY AND CONFIDENTIAL
 THE INFORMATION CONTAINED IN THIS DRAWING IS THE SOLE PROPERTY OF LARSON ELECTRONICS LLC. ANY REPRODUCTION IN PART OR AS A WHOLE WITHOUT THE WRITTEN PERMISSION OF LARSON ELECTRONICS LLC IS PROHIBITED.

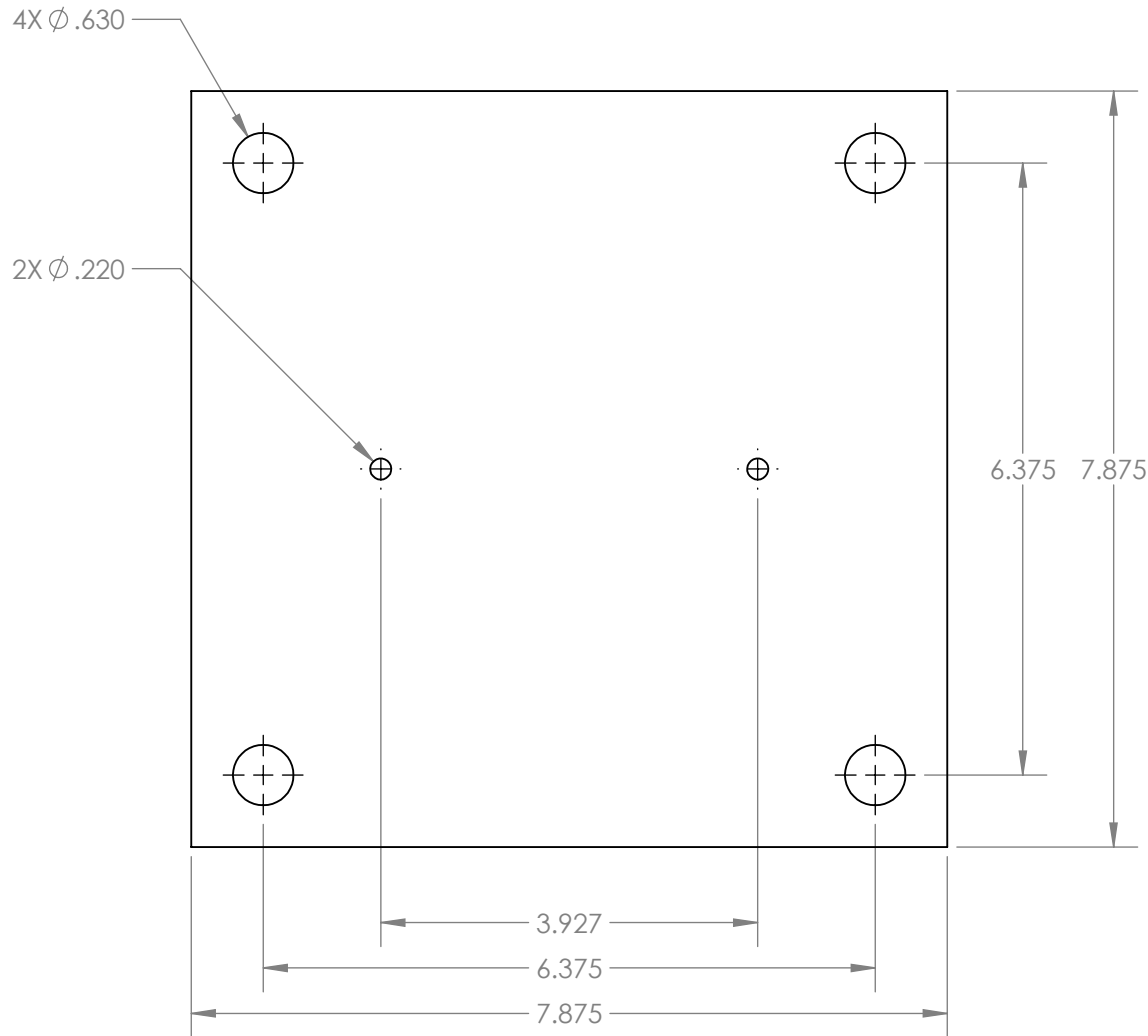
5

4

3

2

1



TITLE:			
PLM-15-5S			
SIZE	DWG. NO.	REV	
A			
SCALE: NTS		SHEET 1 OF 1	

FINISH		NAME
SURFACE AREA [sq. in.]		DRAWN
DIMENSIONS ARE IN INCHES		CHRISTOPHER THAUER
MATERIAL		CHECKED
DO NOT SCALE DRAWING		N/A
DATE	12/5/2017	

PROPRIETARY AND CONFIDENTIAL
 THE INFORMATION CONTAINED IN THIS DRAWING IS THE SOLE PROPERTY OF LARSON ELECTRONICS LLC. ANY REPRODUCTION IN PART OR AS A WHOLE WITHOUT THE WRITTEN PERMISSION OF LARSON ELECTRONICS LLC IS PROHIBITED.

UNLESS OTHERWISE NOTED:

Angle +/- .5 deg
 .X +/- .02
 .XX +/- .01
 .XXX +/- .005