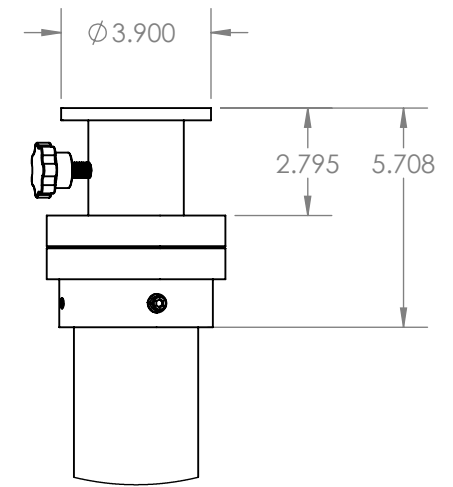
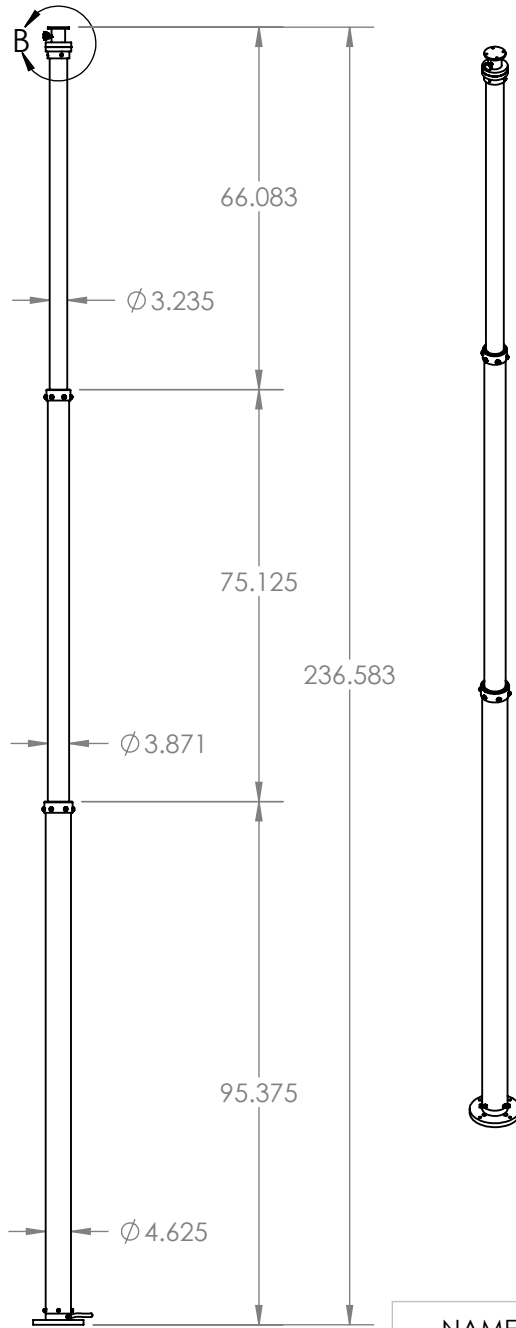
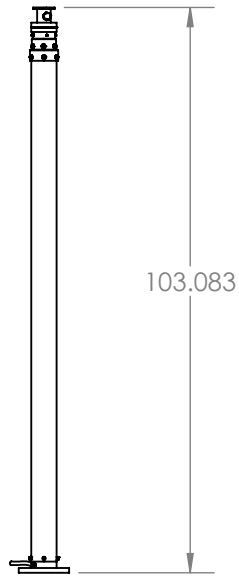
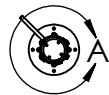
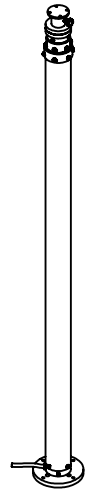
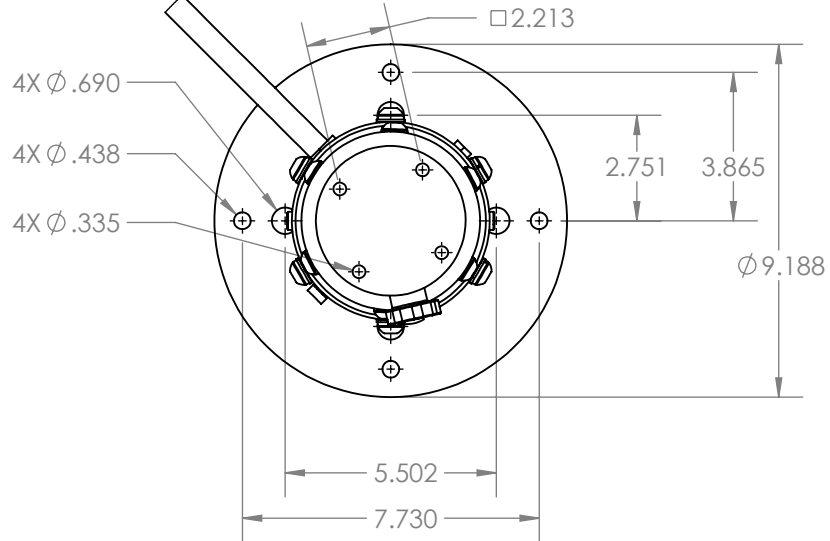


DETAIL A
SCALE 1 : 5



DETAIL B
SCALE 1 : 5



TITLE:

PLM-18-NAC

PROPRIETARY AND CONFIDENTIAL
THE INFORMATION CONTAINED IN THIS DRAWING IS THE SOLE PROPERTY OF LARSON ELECTRONICS LLC. ANY REPRODUCTION IN PART OR AS A WHOLE WITHOUT THE WRITTEN PERMISSION OF LARSON ELECTRONICS LLC IS PROHIBITED.

DIMENSIONS ARE IN INCHES		DRAWN	CHRIS THAUER
MATERIAL		CHECKED	JEREMY BLANKENSHIP
DO NOT SCALE DRAWING			

NAME

SIZE
A

DWG. NO.

REV

SCALE: 1:35

SHEET 1 OF 1

5

4

3

2

1