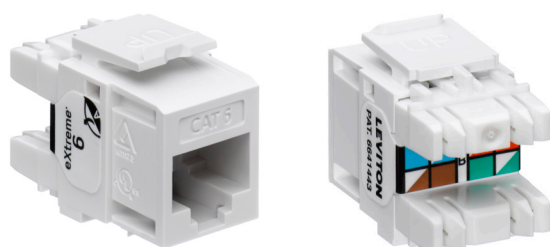


## EXTREME™ Cat 6 Component-Rated UTP QUICKPORT™ Jack

### APPLICATION

The EXTREME Cat 6 jack is designed to be used with all QUICKPORT compatible products. The jack includes patented Retention Force Technology™ which promotes consistent performance over the life of the system. It features unique pair separation towers allowing for quicker and easier terminations. The jack is built on a 180-degree configuration with the punch field in the back, allowing for rear termination.



### SPECIFICATION

The jack shall meet or exceed the requirements for channel and component-level electrical transmission performance as described in ANSI/TIA-568.2-D (Cat 6), ISO/IEC 11801-1 (Class E), and EN 50173-1 (Class E). The jack shall be compliant with ANSI/TIA-1096-A, cULus listed, and be independently verified for electrical transmission performance and power delivery. In addition to Category 6 compliance, the jack shall have the ability to support high megabit and shared-sheath applications. All plastics used in construction of the jack bodies shall be fire retardant with a UL flammability rating of 94V-0. Termination of all jacks shall be 110-type insulation displacement connectors (IDC). The jack shall provide a ledge directly adjacent to the 110-style termination against which the wires can be terminated and cut in one action by the installation craftsman. Jack wiring is universal and will accommodate installation color codes for T568A and T568B wiring schemes. The jack shall be individual snap-in style and the termination field shall be in the rear for easy access. The jack shall include a snap on dust cap with high pullout force and shall fit in a variety of telecommunications wallplates, outlets, and field-configurable patch panels and patch blocks. It shall exceed IEEE 802.3bt standard up to 0.5 amps per conductor (100 watts) continuously.

### FEATURES

- Terminates 26 to 22 AWG solid conductors and 24 to 22 AWG stranded conductors
- Terminates 26 AWG stranded conductors up to 5 times
- Capable of multiple re-terminations
- Gas-tight IDC jacks prevent corrosion
- Dual-layer T568B/T568A wiring label simplifies punchdown
- Patented Retention Force Technology protects tines from damage and increases system longevity
- Pair Separation Tower design facilitates separation of conductors and minimizes untwisting
- 180-degree configuration allows for rear termination
- Available in 13 ANSI/TIA-606-C compatible colors for color coding or organization
- Available individually, in bulk packages of 25, and in bulk packages of 150 with a JackRapid™ Punchdown Tool
- Select colors available in 200 pack Sustainably Smart Packaging that uses no single-use plastic and is fully recyclable
- Will exceed IEEE 802.3bt standard up to 0.5 amps per conductor (100 watts) continuously
- ETL verified to meet the IEC 60512-99-002 standard for support of IEEE 802.3bt Type 4 PoE (90-watt) applications

### DESIGN CONSIDERATIONS

- Use in any QUICKPORT housing to support EXTREME Cat 6 UTP connectivity in surface-mount, flush-mount, or modular furniture outlets and field-configurable panels
- Can be used in conjunction with other QUICKPORT snap-in modules for voice/data and video applications over UTP, coax, and fiber

### STANDARDS & REGULATIONS

- ANSI/TIA-568.2-D (Cat 6)
- ISO/IEC 11801-1 (Cat 6)
- EN 50173-1 (Cat 6)
- ANSI/TIA-1096-A (formerly FCC Part 68)
- IEC 60512-99-002
- IEC 60603-7 (includes IEC 60512-5-2)
- cULus Listed (UL 1863)
- UL 2043 Plenum Certified
- IEEE 802.3bt PoE Type 1, 2, 3, 4 (90 watts max)
- Cisco UPOE, UPOE+ (90 watts max)
- Power over HDBaseT™ PoH (95 watts max)

### COUNTRY OF ORIGIN

USA

61110-xx6

# PRODUCT SPECIFICATIONS

## 61110-xx6

### MECHANICAL SPECIFICATIONS

Dimensions: See below

Materials: **Connector Body:** High-impact, fire-retardant plastic rated UL 94V-0.

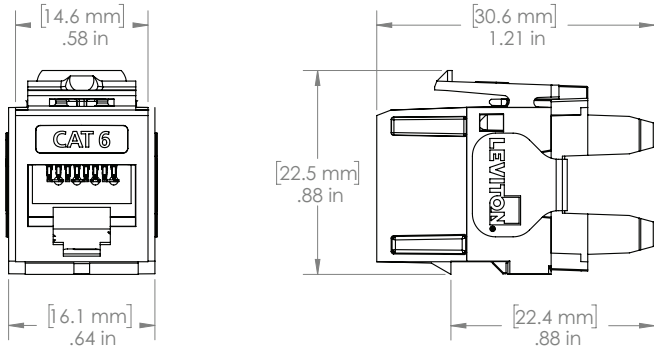
**Spring-Wire Contacts:** High-quality, copper-based alloy, plated with 50 microinches of gold over 100 microinches of nickel for lowest contact resistance, maximum life.

Temperature (Storage): -40 °C to +70 °C  
 Temperature (Installation): Refer to cable installation temperature  
 Temperature (Operating): -10 °C to +60 °C

### WARRANTY INFORMATION

For Leviton product warranties, go to [leviton.com/ns/warranty](http://leviton.com/ns/warranty)

61110-xx6



### PART NUMBERS

Description	Jack	QuickPack™ 25/Bag	150/Bag with JackRapid™ Tool	200/Bag
EXTREME™ Cat 6 Component-Rated UTP QUICKPORT™ Jack, white	61110-RW6	61110-BW6	61110-JW6	61110-2W6
EXTREME Cat 6 Component-Rated UTP QUICKPORT Jack, ivory	61110-RI6	61110-BI6	61110-JI6	—
EXTREME Cat 6 Component-Rated UTP QUICKPORT Jack, orange	61110-RO6	61110-BO6	61110-JO6	—
EXTREME Cat 6 Component-Rated UTP QUICKPORT Jack, blue	61110-RL6	61110-BL6	61110-JL6	—
EXTREME Cat 6 Component-Rated UTP QUICKPORT Jack, black	61110-RE6	61110-BE6	61110-JE6	61110-2E6
EXTREME Cat 6 Component-Rated UTP QUICKPORT Jack, light almond	61110-RT6	61110-BT6	61110-JT6	—
EXTREME Cat 6 Component-Rated UTP QUICKPORT Jack, gray	61110-RG6	61110-BG6	61110-JG6	—
EXTREME Cat 6 Component-Rated UTP QUICKPORT Jack, crimson	61110-RC6	61110-BC6	61110-JC6	—
EXTREME Cat 6 Component-Rated UTP QUICKPORT Jack, yellow	61110-RY6	61110-BY6	61110-JY6	—
EXTREME Cat 6 Component-Rated UTP QUICKPORT Jack, green	61110-RV6	61110-BV6	61110-JV6	—
EXTREME Cat 6 Component-Rated UTP QUICKPORT Jack, purple	61110-RP6	61110-BP6	61110-JP6	—
EXTREME Cat 6 Component-Rated UTP QUICKPORT Jack, brown	61110-RB6	61110-BB6	61110-JB6	—
EXTREME Cat 6 Component-Rated UTP QUICKPORT Jack, dark red	61110-RR6	61110-BR6	61110-JR6	—

For further support information, visit [leviton.com/ns/support](http://leviton.com/ns/support)