

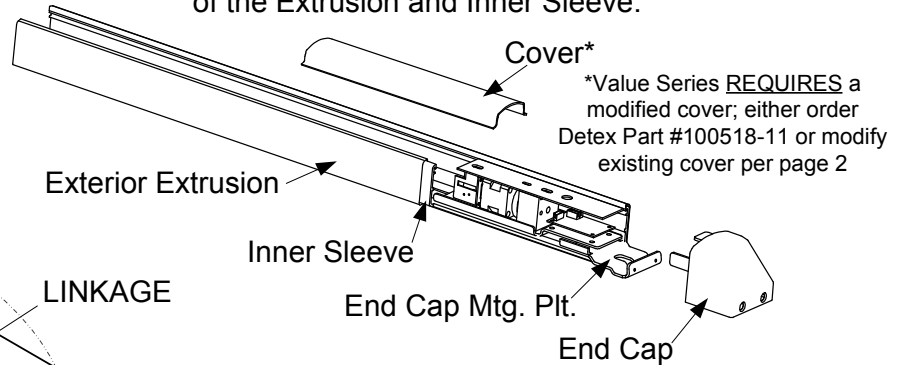
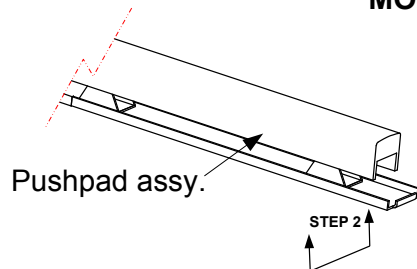
SDC Security Door Controls

801 Avenida Acaso, Camarillo, Ca. 93012 • (805) 494-0622 •
www.sdcsecurity.com • E-mail: service@sdsecurity.com

INSTALLATION INSTRUCTIONS LR100DXK DETEX ELECTRIC LATCH RETRACTION DEVICE KIT MODELS: 10, 20, 40, 50, 60 & 80 SERIES

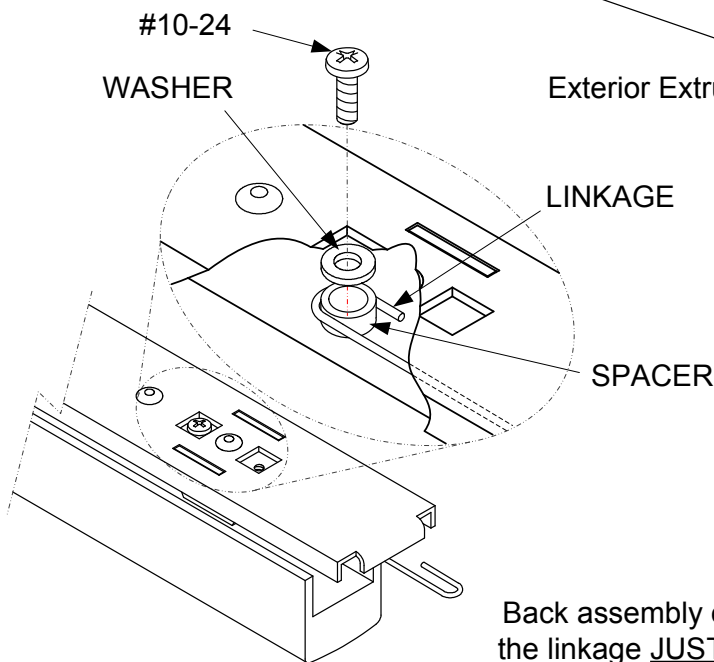
STEP 1

Carefully remove the Cover, End Cap and End Cap Mounting Plate. If present, remove existing Dogging. Slide Pushpad assy. out of the Extrusion and Inner Sleeve.

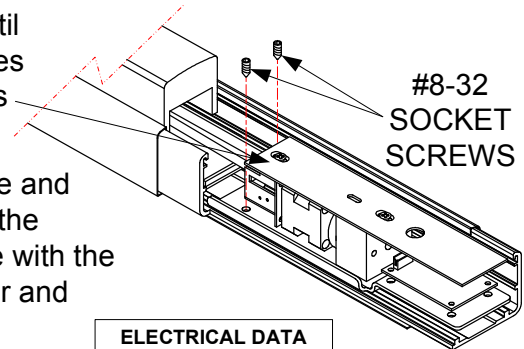


STEP 2

Install the linkage from the bottom of the linkage from the bottom of the Pushpad assy. Place the spacer over the existing tapped hole inside the base where shown. Carefully place the screw and washer over the linkage and spacer and tighten into the Pushpad base.



Back assembly out until the linkage JUST makes contact with the clevis



STEP 3

Re-install Pushpad assy. Slide the LR100DXK into the device and attach the linkage to the clevis. Back the assembly out until the linkage JUST makes contact with the clevis. Secure in place with the two #8-32 socket set screws supplied. Wire the unit to power and replace the Cover, End Cap Mounting Plate and End Cap.

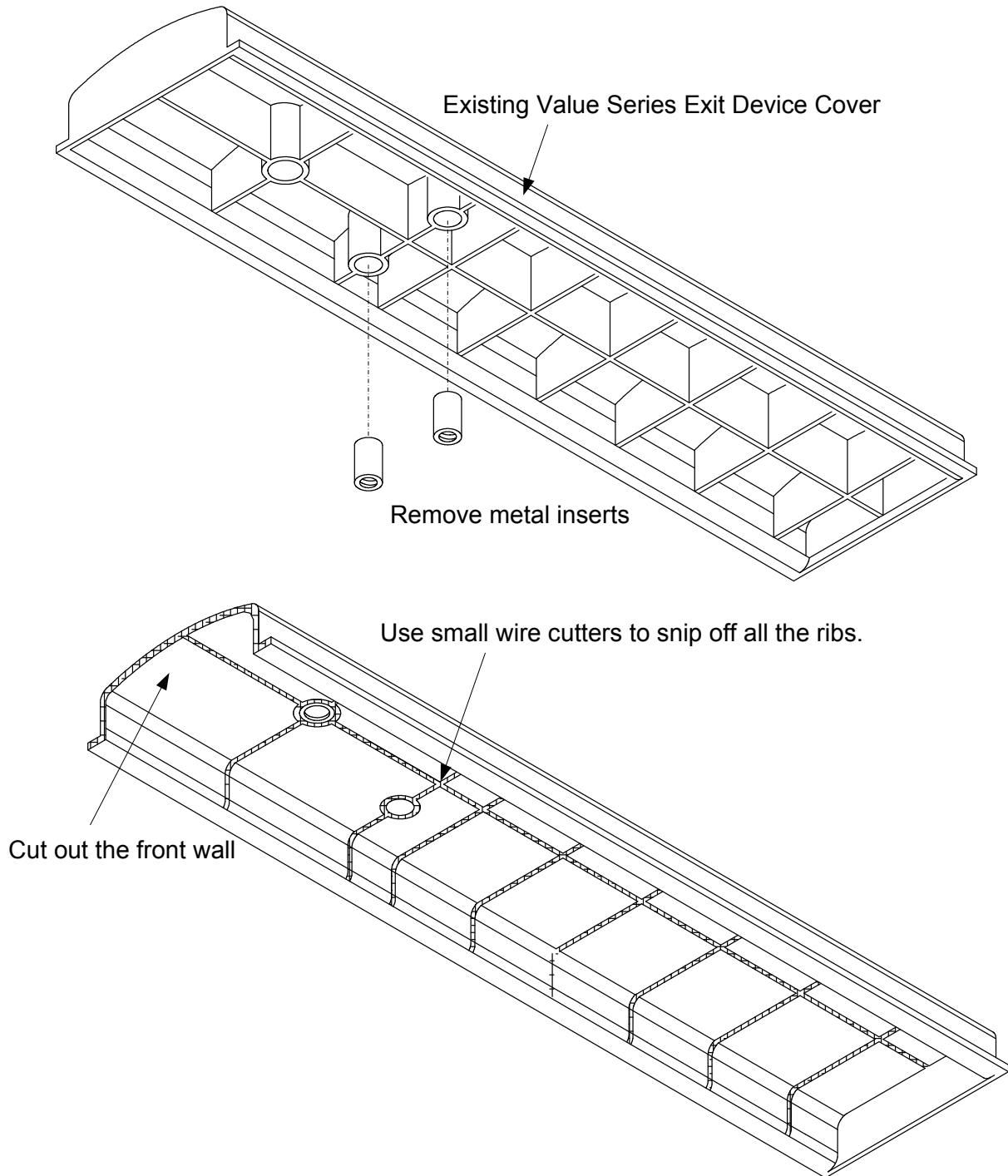
ELECTRICAL DATA
24VDC @ 700/200mA
RED (+) BLK (-)
PATENT #8,851,530

NOTE Retro-Fitting Vertical Rod Devices:

Before retro-fitting an electric latch assembly into a vertical device, the following must be done to ensure proper alignment. Disconnect the vertical rods from the device head. Install the electric latch assembly as shown above. Once the ELR is properly installed energize it so that the push pad is dogged down, by doing so it will allow for proper alignment for the vertical rods. Finally reconnect the vertical rods to the device and make the proper adjustments.

Any suggestions or comments to this instruction or product are welcome. Please contact us through our website or email engineer@sdsecurity.com

Value Series Existing Cover Modification



Retrofit Installation Note: 42" or 48" exit devices that have been modified to fit a 36" or smaller opening, may not have the required space to fit the standard E. L. R. assembly. Always verify the distance from the end of the touchpad to the end rail, and if necessary, consult with the factory for appropriate selection.