

CMHD3553DN-ZF 5 MP 4-in-1 Dome Camera

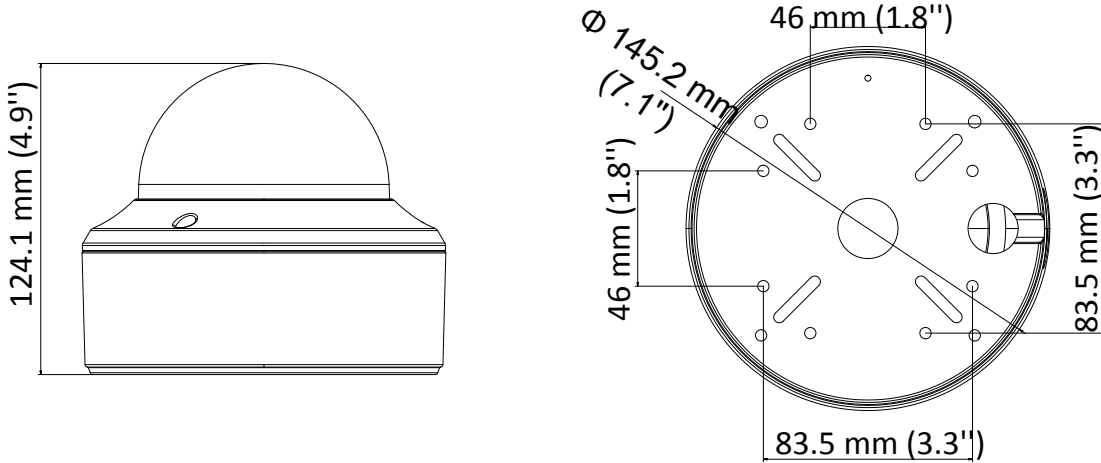


Key Features

- 5 MP high performance CMOS
- 2560 × 1944 resolution
- 2.7 mm to 13.5 mm motorized vari-focal lens
- Matrix IR 2.0, smart IR, up to 131ft(40 m) IR distance
- 2D DNR, DWDR
- 4 in 1 video output (switchable TVI/AHD/CVI/CVBS)
- IP67, IK10
- OSD Menu via UTC technology with Platinum DVR

Camera	
Image Sensor	5 MP CMOS image sensor
Resolution	2560 (H) × 1944 (V)
Min. Illumination	Color: 0.01 Lux @ (F1.2, AGC ON), 0 Lux with IR
Shutter Time	PAL: 1/25 s to 1/50, 000 s NTSC: 1/30 s to 1/50, 000 s
Lens	2.7 mm to 13.5 mm motorized vari-focal lens
Horizontal Field of View	95.7° to 29.1°
Lens Mount	Φ 14
Day & Night	IR cut filter
Angle Adjustment	Pan: 0° to 355°; Tilt: 0° to 75°; Rotate: 0° to 355°
Synchronization	Internal synchronization
Frame Rate	PAL: 5 MP@20fps, 4 MP@25fps, 1080p@25fps NTSC: 5 MP@20fps, 4 MP@30fps, 1080p@30fps
Menu	
AGC	Support
D/N Mode	Auto/Color/BW (Black and White)
White Balance	ATW/MWB
BLC	Support
DWDR (Digital Wide Dynamic Range)	Support
Functions	Brightness, Sharpness, DNR, Mirror, Smart IR
Interface	
Video Output	1 HD analog output
Switch Button	TVI/AHD/CVI/CVBS
General	
Operating Conditions	-40 °C to 60 °C (-40 °F to 140 °F), humidity: 90% or less (non-condensation)
Power Supply	12 VDC ±15%, 24 VAC ±15%
Power Consumption	Max. 6.0 W
Protection Level	IP67, IK10
Material	Metal
IR Range	Up to 131ft(40 m)
Communication	Up the coax, TVI output
Dimensions	∅ 145.2 mm × 124.1 mm (∅ 7.1" × 4.9")
Weight	Approx. 655 g (1.44 lb.)

Dimension



Accessory



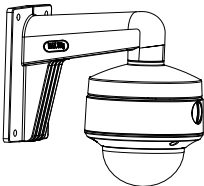
LTB342-140
Wall Mount



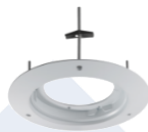
LTB378
Vertical Pole Mount



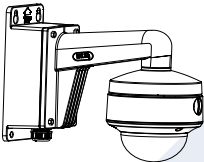
LTB379
Corner Mount



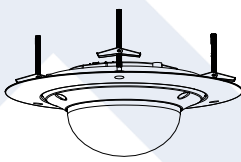
LTB342-140B
Wall Mount



LTB340
In-ceiling Mount



LTB342-140B
Wall Mount



LTB340
In-ceiling Mount