

# CMHR6452N-28F / CMHR6452N-F

## Platinum 5 MP Bullet 4-in- 1 HD-TVI Camera



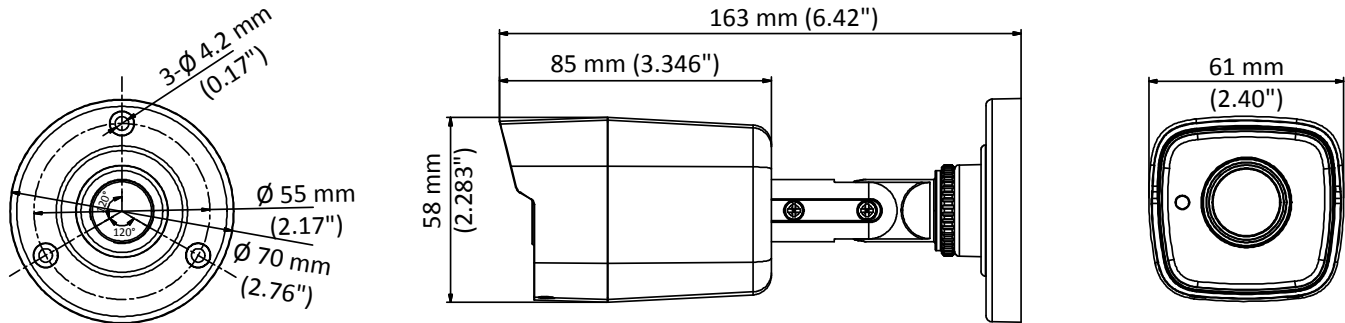
### Key Features

- 5 MP high performance CMOS
- 2560 × 1944 resolution
- 2.8 mm, 3.6 mm, 6 mm fixed lens
- Matrix IR 2.0, smart IR, up to 65 ft (20 m) IR distance
- 2D DNR, DWDR
- 4-in-1 video output options: TVI / AHD / CVI / CVBS)
- IP67
- OSD Menu via UTC technology with Platinum DVR

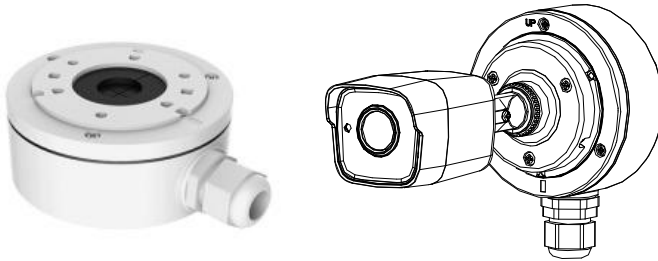
## Specifications

<b>Camera</b>	
Image Sensor	5 MP CMOS image sensor
Resolution	2560 (H) × 1944 (V)
Min. Illumination	Color: 0.01 Lux @ f 1.2, AGC on, 0 Lux with IR
Shutter Speed	PAL: 1/25 to 1/50, 000 sec. NTSC: 1/30 to 1/50, 000 sec.
Lens	2.8 mm, 3.6 mm fixed focal lens
Horizontal Field of View	85.5° (2.8 mm), 80.1° (3.6 mm)
Lens Mount	M12
Day & Night	IR cut filter
Angle Adjustment	Pan: 0° to 360°; Tilt: 0° to 180°; Rotate: 0° to 360°
Synchronization	Internal synchronization
Frame Rate	PAL: 5 MP @ 20 fps, 4 MP @ 25 fps, 1080p @ 25 fps NTSC: 5 MP @ 20 fps, 4 MP @ 30 fps, 1080p @ 30 fps
<b>Menu</b>	
AGC	Supported
D/N Mode	Auto / Color / Black and White
White Balance	ATW / MWB
BLC	Supported
Digital Wide Dynamic Range (DWDR)	Supported
Language	English
Functions	Brightness, Sharpness, DNR , Mirror, Smart IR
<b>Interface</b>	
Video Output	1 x HD analog output
Signal Options	TVI / AHD / CVI / CVBS
<b>General</b>	
Operating Conditions	-40° to 140° F (-40° to 60° C), humidity: 90% or less (non-condensation)
Power Supply	12 VDC ±25%
Power Consumption	Max. 4.3 W
Protection Levels	IP67
Materials	Metal
IR Range	Up to 65 ft (20 m)
Communication	Up the coax, TVI output
Dimensions	2.28 × 2.40 × 6.42" (58 × 61 × 163 mm)
Weight	Approx. 0.77 lb (350 g)

## Dimensions



## Accessories



LTB345 Junction Box