

CMHR9252WE-28F

Platinum 5 MP Ultra-low-light Bullet HD-TVI Camera



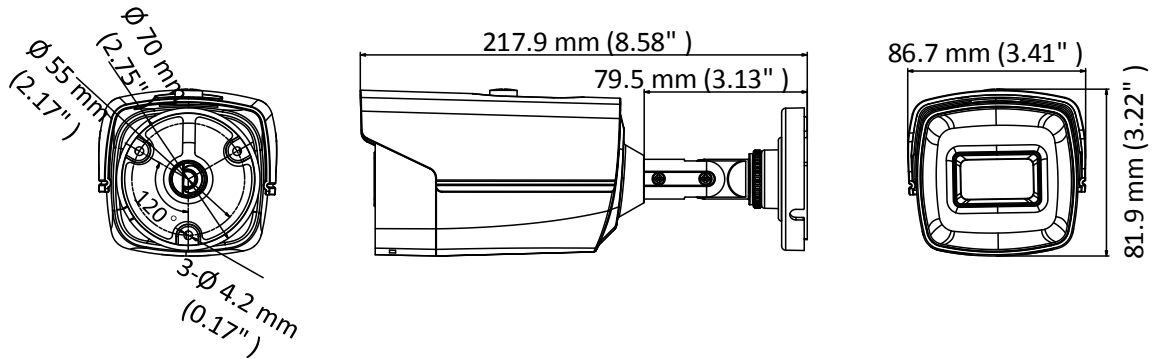
Key Features

- 5 MP high performance CMOS
- 2560 × 1944 resolution
- 2.8 mm fixed lens
- Matrix IR 2.0, smart IR with up to 197 ft (60 m) IR range
- 3D DNR, 130 dB true WDR
- 4-in-1 switchable video output
- IP67 protection rating
- OSD Menu via UTC technology with Platinum DVR

Specifications

Camera	
Image Sensor	5 MP progressive scan CMOS
Signal System	PAL / NTSC
Resolution	2560 (H) × 1944 (V)
Min. Illumination	Color: 0.003 Lux @ (F1.2, AGC on), 0 Lux with IR
Frame Rate	TVI: 2 MP @ 25 fps, 2 MP @ 30 fps, 4 MP @ 25 fps, 4 MP @ 30 fps, 5 MP @ 20 fps AHD: 4 MP @ 25 fps, 4 MP @ 30 fps, 5 MP @ 20 fps CVI: 4 MP @ 25 fps, 4 MP @ 30 fps CVBS: PAL, NTSC
Shutter Speed	PAL: 1/25 to 1/50,000 sec. NTSC: 1/30 to 1/50,000 sec.
Lens	2.8 mm fixed lens
Horizontal Field of View	98° (2.8 mm)
Lens Mount	M12
Day & Night	IR cut filter
Angle Adjustment (Bracket)	Pan: 0° to 360°, Tilt: 0° to 180°, Rotate: 0° to 360°
Synchronization	Internal synchronization
Wide Dynamic Range (WDR)	≥ 130 dB
Menu	
AGC	Yes
Day / Night Mode	Auto / Color / B & W
White Balance	Auto / Manual
Backlight Compensation (BLC)	Yes
WDR	Yes
3D DNR	Level 1 to 9
Privacy Mask	4 programmable privacy masks
Motion Detection	4 programmable areas
Language	English
Functions	Brightness, Sharpness, 3D DNR, Mirror, Smart IR
Interface	
Video Output	1 HD analog output
Switch Button	TVI / AHD / CVI / CVBS
General	
Operating Conditions	-40° to 140° F (-40° to 60° C); humidity: 90% or less (non-condensation)
Power Supply	12 VDC ± 25%
Power Consumption	Max. 5.8 W
Protection Levels	IP67
Materials	Metal
IR Range	Up to 197 ft (60 m)
Communication	Up the coax, TVI output
Dimensions	3.22 × 3.41 × 8.58 in. (81.9 × 86.7 × 217.9 mm)
Weight	Approx. 1.26 lbs (570 g)

Dimensions



Accessories



LTB345
Junction Box

