

CMHR9422N-F

Platinum 2 MP Bullet Fixed Lens HD-TVI Camera

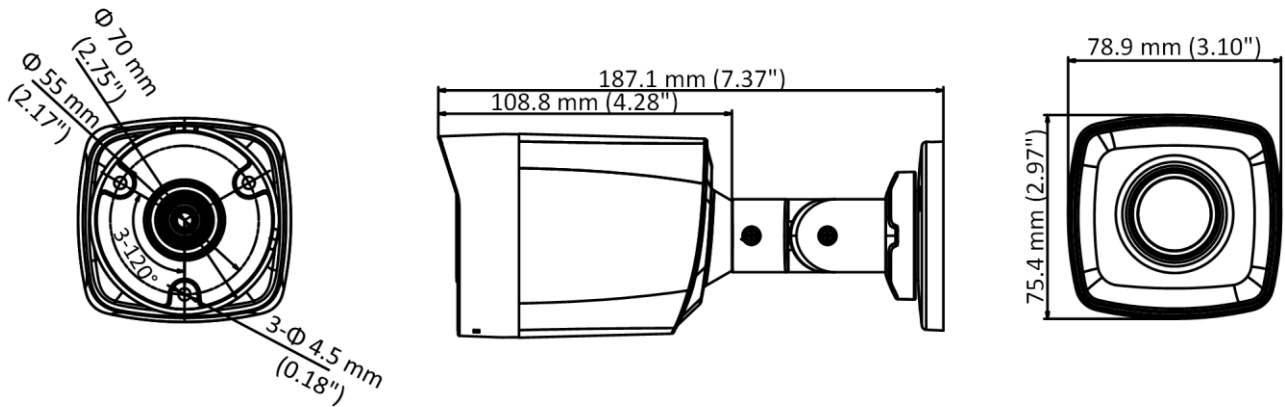


- 2 MP, 1920 × 1080 resolution
- 3.6 mm fixed lens
- 4-in-1 switchable video output
- Smart IR with up to 131 ft (40 m) of range
- IP67 protection rating

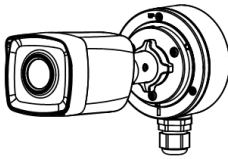
Specifications

Camera	
Image Sensor	2 MP CMOS
Signal System	PAL/NTSC
Resolution	1920 (H) × 1080 (V)
Frame Rates	TVI: 1080p @ 30 fps, 1080p @ 25 fps CVI: 1080p @ 30 fps, 1080p @ 25 fps AHD: 1080p @ 30 fps, 1080p @ 25 fps CVBS: PAL / NTSC
Min. illumination	0.01 Lux@(F1.2, AGC ON), 0 Lux with IR
Shutter Speed	PAL: 1/25 to 1/50, 000 sec. NTSC: 1/30 to 1/50, 000 sec.
Lens	3.6 mm fixed lens
Field of View	Horizontal: 79.6°, vertical: 43.5°, diagonal: 93.7°
Lens Mount	M12
Day & Night	ICR
Wide Dynamic Range (WDR)	Digital WDR
Angle Adjustment	Pan: 0 to 360°, Tilt: 0 to 180°, Rotation: 0 to 360°
Menu	
Image Mode	STD / HIGH-SAT
AGC	Yes
Day / Night Mode	Auto / Color / B & W
White Balance	Auto / Manual
Auto Exposure (AE) Mode	DWDR / BLC / HLC / Global
Noise Reduction	2D DNR
Language	English
Function	Brightness, Sharpness, Smart IR
Interface	
Video Output	Switchable TVI / AHD / CVI / CVBS
General	
Operating Conditions	-40° to 140° F (-40° to 60° C); humidity 90% or less (non-condensing)
Power Supply	12 VDC ± 25%
Power Consumption	Max. 3.9 W
Protection Levels	IP67
Materials	Front Cover: Metal Main Body: Plastic
IR Range	Up to 131 ft (40 m)
Dimensions	2.97 × 3.10 × 7.37 in. (75.4 × 78.9 × 187.1 mm)
Weight	Approx. 0.67 lbs (305 g)

Dimensions



Accessories



LTB345
Junction Box