

CMHR9623DWE-ZF Platinum 2 MP Ultra-Low Light Bullet Camera



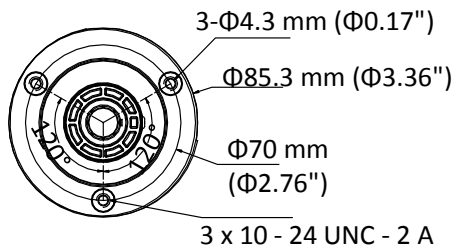
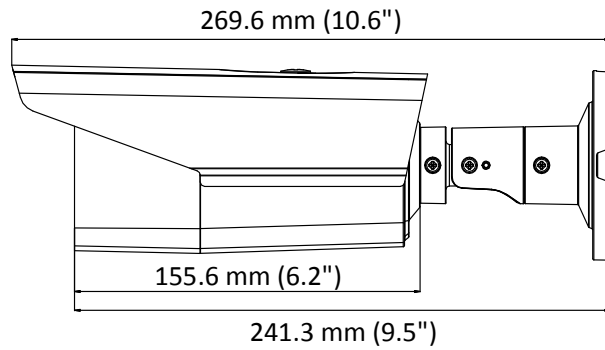
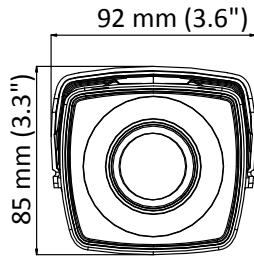
Key Features

- 2 MP high performance CMOS
- Ultra-low light
- 1920 × 1080 resolution
- 2.7 to 13.5 mm varifocal lens, auto focus
- 130 dB true WDR, 3D DNR
- Smart IR, up to 263 ft (80 m) IR distance
- 4-in-1 video output -- switches among TVI / AHD / CVI / CVBS
- IP67
- OSD Menu via UTC technology with Platinum DVR

Specifications

Camera	
Image Sensor	2 MP CMOS
Signal System	PAL / NTSC
Resolution	1920 (H) × 1080 (V)
Frame Rate	PAL: 1080p @ 25 fps NTSC: 1080p @ 30 fps
Min. Illumination	Color: 0.003 Lux @ (F1.2, AGC ON), 0 Lux with IR
Shutter Time	PAL: 1/25 sec. to 1/50, 000 sec. NTSC: 1/30 sec. to 1/50, 000 sec.
Slow Shutter	Max. 16 times
Lens	2.7 to 13.5 mm motorized, auto focus
Horizontal Field of View	103° to 32.1°
Lens Mount	Φ 14
Day & Night	ICR
WDR (Wide Dynamic Range)	≥ 130 dB
Angle Adjustment	Pan: 0° to 360°, Tilt: 0° to 90°, Rotate: 0° to 360°
Menu	
Image Mode	STD / HIGH-SAT
AGC	Yes
Day / Night Mode	Auto / Color / Black & White
White Balance	Auto / Manual
AE (Auto Exposure) Mode	WDR / BLC / HLC / Global
Privacy	4 programmable privacy masks
Motion Detection	4 programmable motion areas
NR (Noise Reduction)	3D DNR / 2D DNR
Language	English
Functions	Brightness, Sharpness, Mirror, Smart IR
Interface	
Video Output	Switchable TVI / AHD / CVI / CVBS
General	
Operating Conditions	-40° to 140° F (-40° to 60° C), humidity: 90% or less (non-condensing)
Power Supply	12 VDC ±25%, 24 VAC ±25% <i>*LTS recommends using one power source per camera.</i>
Power Consumption	Max. 9 W
Ingress Protection	IP67
Material	Metal
IR Range	Up to 263 ft (80 m)
Dimensions	3.3 × 3.6 × 10.6 in. (85 × 92 × 269.6 mm)
Weight	Approx. 2.07 lbs (940 g)

Dimensions



Accessories



LTB346
Junction Box



LTB378
Vertical Pole Mount



LTB379
Corner Mount

