

CMIP3263NW-SZ 6 MP IR Varifocal Turret Network Camera



Key Features

- 1/2.9" Progressive Scan CMOS
- 3072 × 2048@20fps
- 2.8 to 12 mm varifocal lens
- Color: 0.018 Lux @ (F1.6, AGC ON), 0 Lux with IR
- H.265+, H.265, H.264+, H.264
- Three streams
- 2 Behavior analyses
- 120dB WDR
- BLC/3D DNR/ROI/HLC
- IP67, IK10
- Built-in micro SD/SDHC/SDXC card slot, up to 128 GB
- 3-Axis adjustment
- IR range: Up to 98ft(30 m)
- Anti-IR reflection

Specifications

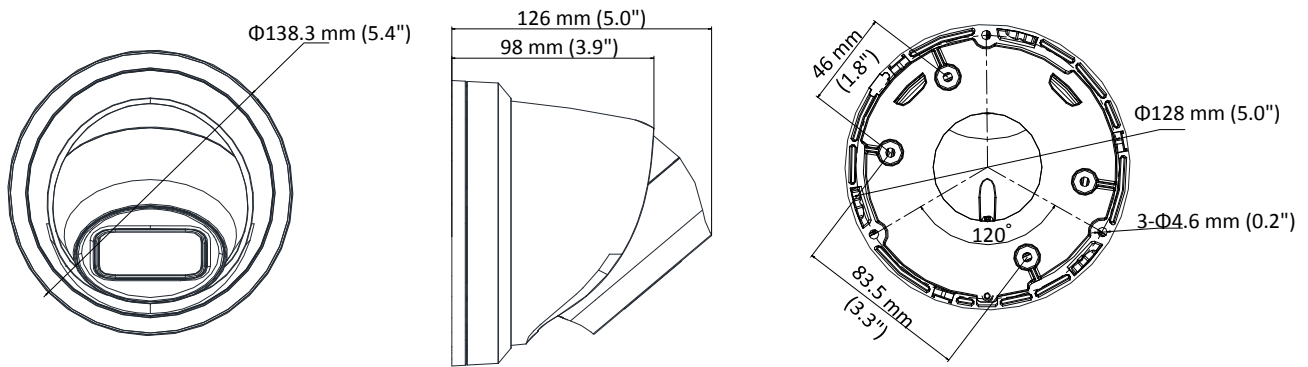
Camera	
Image Sensor	1/2.9" Progressive Scan CMOS
Min. Illumination	Color: 0.018 Lux @ (F1.6, AGC ON), 0 Lux with IR
Shutter Speed	1/3 s to 1/100,000 s
Slow Shutter	Yes
Day & Night	IR Cut Filter
WDR	120dB
Angle Adjustment	Pan: 0° to 355°, tilt: 0° to 75°, rotate: 0° to 355°
Lens	
Lens Type	Varifocal lens, motorized lens , 2.8 to 12 mm
Auto-Iris	No
Aperture	F1.6
FOV	Horizontal FOV: 88° to 27°, vertical FOV: 56° to 18°, diagonal FOV: 110° to 33°
Lens Mount	Ø14
Illuminator	
IR Range	Up to 98ft(30 m)
Wavelength	850nm
Video	
Max. Resolution	3072 × 2048
Main Stream	50Hz: 20fps (3072 × 2048, 3072 × 1728, 2944 × 1656), 25fps (2560 × 1440, 1920 × 1080, 1280 × 720) 60Hz: 20fps (3072 × 2048, 3072 × 1728, 2944 × 1656), 30fps (2560 × 1440, 1920 × 1080, 1280 × 720)
Sub-Stream	50Hz: 25fps (640 × 480, 640 × 360, 320 × 240) 60Hz: 30fps (640 × 480, 640 × 360, 320 × 240)
Third Stream	50Hz: 25fps (1280 × 720, 640 × 360, 352 × 288) 60Hz: 30fps (1280 × 720, 640 × 360, 352 × 240)
Video Compression	Main stream/third stream: H.265/H.264 Sub-stream: H.265/H.264/MJPEG
H.264 Type	Main Profile/High Profile
H.264+	Main stream supports
H.265 Type	Main Profile
H.265+	Main stream supports
Video Bit Rate	32 Kbps to 16 Mbps
Scalable Video Coding (SVC)	H.264 and H.265 encoding
* Note: When the main stream resolution is 2944 × 1656 and above, max frame rate is 20 fps for all streams.	
Audio	
Audio Compression	G.711/G.722.1/G.726/MP2L2/PCM
Audio Bit Rate	64Kbps(G.711)/16Kbps(G.722.1)/16Kbps(G.726)/32-192Kbps(MP2L2)
Environment Noise Filtering	Yes
Audio Sampling Rate	8 kHz/16 kHz/32 kHz/44.1 kHz/48 kHz

Smart Feature-set	
Smart Event	Line crossing detection, intrusion detection
Basic Event	Motion detection, video tampering alarm, exception (network disconnected, IP address conflict, illegal login, HDD full, HDD error)
Face Detection	Yes
Linkage Method	Upload to FTP/NAS/memory card, notify surveillance center, send email, trigger alarm output, trigger recording, trigger capture
Region of Interest	1 fixed region for main stream and sub-stream
Image	
Image Enhancement	BLC/3D DNR/HLC
Image Settings	Saturation, brightness, contrast, sharpness and white balance adjustable by client software or web browser
Day/Night Switch	Day/Night/Auto/Schedule/Triggered by Alarm In
Network	
Network Storage	microSD/SDHC/SDXC card (128 G), local storage and NAS (NFS, SMB/CIFS), ANR
Protocols	TCP/IP, ICMP, HTTP, HTTPS, FTP, DHCP, DNS, DDNS, RTP, RTSP, RTCP, PPPoE, NTP, UPnP™, SMTP, SNMP, IGMP, 802.1X, QoS, IPv6, UDP, Bonjour, TLS, SSL
API	ONVIF (PROFILE S, PROFILE G), ISAPI, SDK
Security	Password protection, HTTPS encryption, 802.1X authentication (EAP-MD5), watermark, IP address filter, basic and digest authentication for HTTP/HTTPS, WSSE and digest authentication for ONVIF, RTP/RTSP over HTTPS, complicated password, anti-crack password protection
Simultaneous Live View	Up to 6 channels
User/Host	Up to 32 users, 3 levels: Administrator, Operator and User
Web Browser	Plug-in required live view: IE8+, Chrome 41.0-44, Firefox 30.0-51, Safari 8.0-11 Plug-in free live view: Chrome 45.0+, Firefox 52.0+
Interface	
Communication Interface	1 RJ45 10M/100M self-adaptive Ethernet port
Audio	1 input (line in), 1 output (line out), four-core terminal block, mono sound
Alarm	1 input, 1 output
Video Output	No
Interface Style	Pigtail style interface
On-board storage	Built-in Micro SD/SDHC/SDXC slot, up to 128 GB
General	
Web Client Language	32 languages English, Russian, Estonian, Bulgarian, Hungarian, Greek, German, Italian, Czech, Slovak, French, Polish, Dutch, Portuguese, Spanish, Romanian, Danish, Swedish, Norwegian, Finnish, Croatian, Slovenian, Serbian, Turkish, Korean, Traditional Chinese, Thai, Vietnamese, Japanese, Latvian, Lithuanian, Portuguese (Brazil)
General Function	Anti-flicker, three streams, heartbeat, mirror, regions of privacy mask, flash log, password reset via e-mail
Reset	Reset via reset button on camera body, web browser and client software

Startup and Operating Conditions	-30 °C to +60 °C (-22 °F to +140 °F), Humidity 95% or less (non-condensing)
Storage Conditions	-30 °C to +60 °C (-22 °F to +140 °F), Humidity 95% or less (non-condensing)
Power Supply	12 VDC ± 25%, Ø 5.5 mm coaxial power plug PoE (802.3af, class 3)
Power Consumption and Current	12 VDC, 0.92 A, max. 11 W PoE (802.3af, 36 V to 57 V), 0.35 A to 0.22 A, max. 12.5 W
Material	Metal
Dimensions	Camera: Ø 138.3 × 126 mm (Ø 5.4" × 5.0") With Package: 170 × 170 × 150 mm (6.7" × 6.7" × 5.9")
Weight	Camera: Approx. 1.20 kg (2.65 lb.) With Package: Approx. 1.42 kg (3.13 lb.)
Approval	
EMC	47 CFR Part 15, Subpart B; EN 55032: 2015, EN 61000-3-2: 2014, EN 61000-3-3: 2013, EN 50130-4: 2011 +A1: 2014; AS/NZS CISPR 32: 2015; ICES-003: Issue 6, 2016; KN 32: 2015, KN 35: 2015
Safety	UL 60950-1, IEC 60950-1:2005 + Am 1:2009 + Am 2:2013, EN 60950-1:2005 + Am 1:2009 + Am 2:2013, IS 13252(Part 1):2010+A1:2013+A2:2015
Chemistry	2011/65/EU, 2012/19/EU, Regulation (EC) No 1907/2006
Protection	Ingress protection: IK10 (IEC 62262:2002), IP67 (IEC 60529-2013)

Note: Listed resolutions are only selectable options. It does not mean that all streams can work at their maximum resolution at the same time.

Dimension



Accessory



LTB342-140
Wall Mount



LTB341
Pendant Mount



LTB721
Junction Box