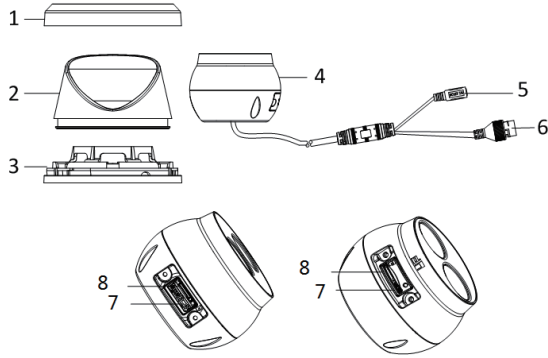


## Turret Type II Network Camera

### Quick Installation Guide

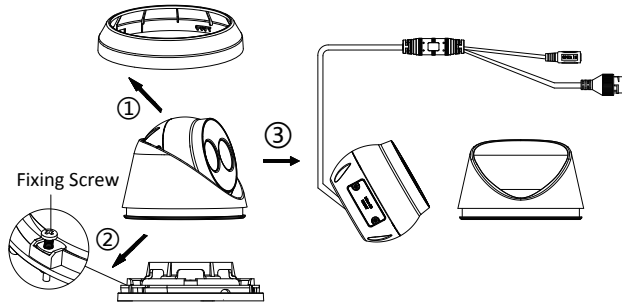


No.	Description	No.	Description
1	Trim Ring	5	Power Cord
2	Enclosure	6	10M/100M self-adaptive Ethernet interface (PoE)
3	Mounting Base	7	RST (Reset) Button(Different Models)
4	Camera	8	Memory Card Slot(Different Models)

#### Installation Steps:

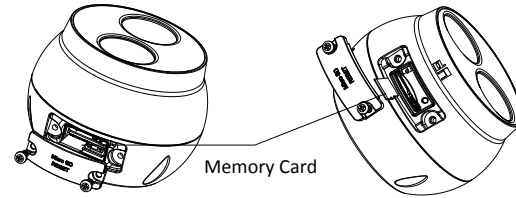
##### 1. Disassemble the camera

- 1) Rotate the trim ring anticlockwise to take it off from the camera
- 2) Loosen the fixing screw. Take the mounting base off from the camera and the enclosure
- 3) Separate the camera and the enclosure



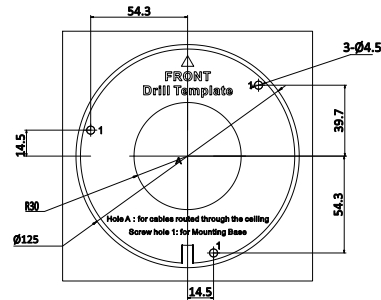
##### 2. Install memory card

- 1) Unscrew the memory card slot cover
- 2) Insert the memory card
- 3) (Optional) to unmount the memory card, push to get it ejected
- 4) Screw the memory card slot cover back

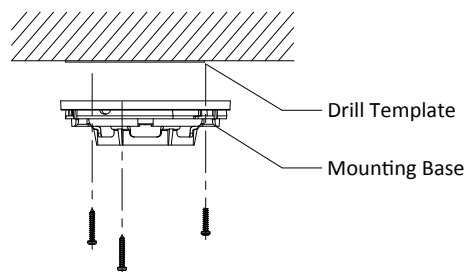


##### 3. Paste the drill template to desired mounting place

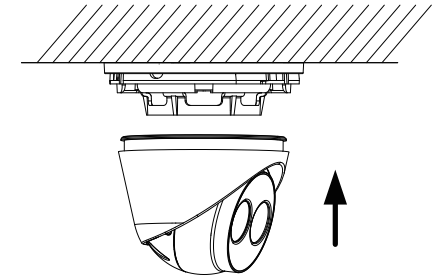
##### 4. Drill the screw holes (for expansion screws) and the cable hole on the ceiling according to the drill template



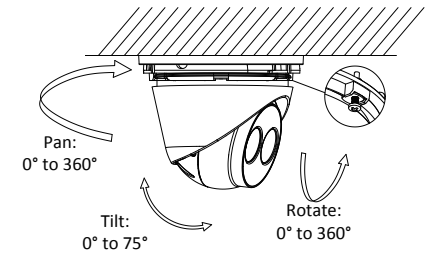
##### 5. Fix the mounting base to the ceiling with two supplied screws



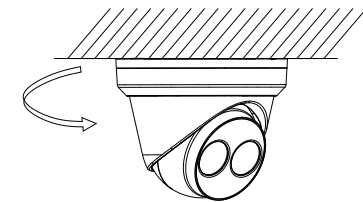
6. Connect the corresponding power/network cable
7. Install the camera along with the enclosure to the mounting base



##### 8. Adjust the surveillance angle of the camera. Secure the fixing screw after adjustment



##### 9. Attach the trim ring to the camera and rotate the trim ring clockwise to get it secured



For detailed instructions of further configuration, please refer to the user manual of network camera.