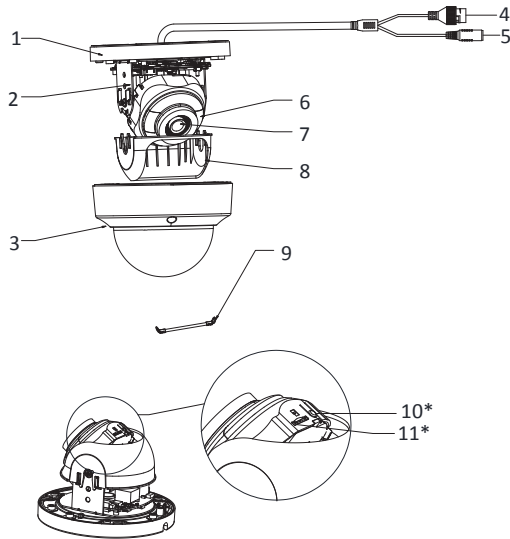


# CMIP70x2-M Dome Network Camera

## Quick Installation Guide



No.	Description	No.	Description
1	Mounting Base	7	Lens
2	Pan Adjusting Screw	8	Black Liner
3	Bubble	9	Safety Rope
4	Network Interface	10*	Reset button
5	Power Interface	11*	Memory card slot
6	IR Cover		

### Note:

The item marked with the "\*" is only supported by certain camera models.

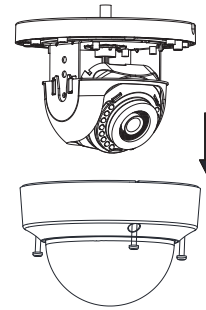
### Installation Steps:

#### 1. Install the Memory Card

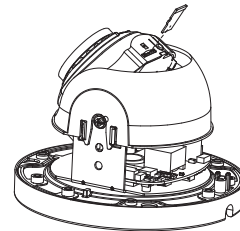
1.1. Loosen the screws on the bubble. Remove the bubble to expose the memory card slot.

#### Notes:

- In case of losing, screws on bubble cannot be screwed out thoroughly.
- The bubble is fastened to the camera with a safety rope, do not force to remove the bubble, otherwise the camera will be damaged.



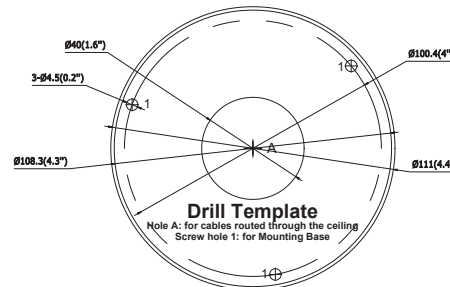
1.2. Find the memory card slot to insert the memory card



## 2. Ceiling Mounting

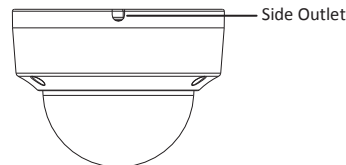
2.1. Paste the drill template to desired mounting place.

2.2. Drill the screw holes on the ceiling according to the drill template.

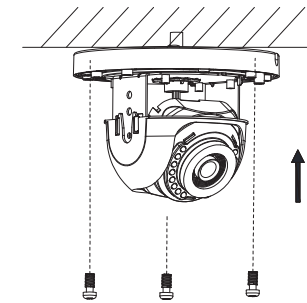


#### Notes:

- If you choose to route cable through the ceiling, cut a cable hole according to Hole A on drill template.
- You can also route cable from the side outlet.
- If you install the camera for outdoor scenes, install the waterproof jacket to the network cable.

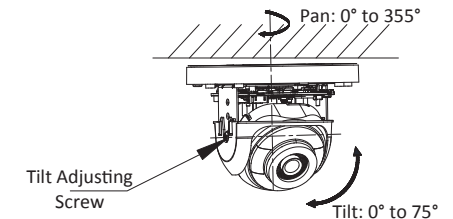


2.3. Route the cables and fix the mounting base on the ceiling with three screws.

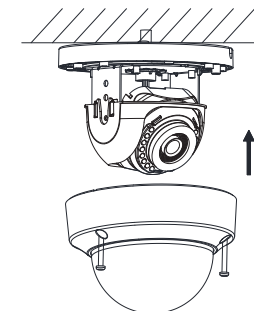


2.4. Adjust surveillance angle.

- 1). Loosen one tilting adjust screw to adjust the tilting position. Tighten the screw after adjustment.
- 2). Hold the black liner to adjust the panning position.
- 3). Hold the lens to adjust the rotating position\*.



2.5. Install the bubble back to the camera.



**Press Reset button for about 10s when the camera is powering on or rebooting to restore the default settings, including the user name, password, IP address, port No., etc.**

For detailed instructions of further configuration, please refer to the user manual of network camera.