

CMIP7562NF-SE 6 MP IR Network Fisheye Camera



CMIP7562NF-SE is a fisheye network camera capable of providing a 360-degree panoramic image of its surveillance scene.

The progressive scan CMOS sensor provides high-resolution images of up to 3072 × 2048.

Up to 18 live view display modes, designed for 3 mount types, meet various user preference.

Three independently controlled IR lights offer a range of 50ft and provide good vision in low or even zero-light environment.

- 1/1.8" Progressive Scan CMOS
- Max. 3072 × 2048 @30fps
- Up to 18 live view display modes
- Digital WDR
- Up to 50ft(15m) IR range
- Built-in microphone and speaker
- Smart features
6 behavior analyses, and 3 exception detections

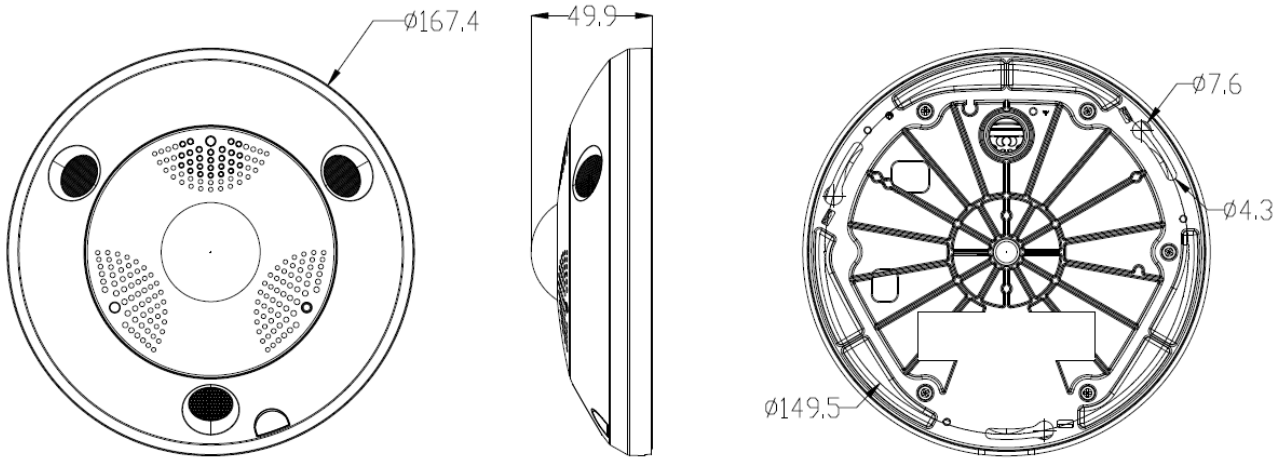
Specifications

Camera	
Image Sensor	1/1.8" Progressive Scan CMOS
Min. Illumination	Color: 0.047 Lux @ (F2.6, AGC ON), B/W: 0.0047 Lux @ (F2.6, AGC ON), 0 Lux with IR
Shutter Speed	1 s to 1/100,000 s
Slow Shutter	Yes
Day & Night	IR Cut Filter
Digital Noise Reduction	3D DNR
WDR	Digital WDR
Lens	
Focal Length	1.27 mm
Aperture	F2.6
FOV	Horizontal FOV 180° (wall mount), 360°(ceiling mount), 360°(table mount)
Lens Mount	M12
IR	
IR Range	Up to 50ft(15 m) IR range, 3 LEDs. Each LED is independently controlled.
Wavelength	850 nm
Compression Standard	
Video Compression	Main stream: H.265+/H.265/H.264+/H.264 Sub stream: H.265/H.264/MJPEG
H.264 Type	Baseline Profile/ Main Profile /High Profile
H.264+	Main stream supports
H.265 Type	Main Profile
H.265+	Main stream supports
Video Bit Rate	32 Kbps to 16 Mbps
SVC	H.265 and H.264 support
Smart Feature-set	
Behavior Analysis	Line crossing detection, intrusion detection, region entrance detection, region exiting detection, unattended baggage detection, object removal detection
Exception Detection	Audio exception detection
Region of Interest	4 fixed regions for main stream and sub-stream
Image	
Max. Resolution	3072 × 2048
Main Stream Max. Frame Rate	50Hz: 25fps (3072 × 2048, 2048 × 2048, 1280 × 1280) 60Hz: 30fps (3072 × 2048, 2048 × 2048, 1280 × 1280)
Sub Stream Max. Frame Rate	50Hz: 25fps (720 × 720, 720 × 480) 60Hz: 30fps (720 × 720, 720 × 480)
Image Enhancement	BLC, HLC, defog, 3D DNR
Image Setting	Saturation, brightness, contrast, sharpness, AGC and white balance are adjustable by client software or web browser
Day/Night Switch	Day/Night/Auto/Schedule/Triggered by Alarm In (-S)
Picture Overlay	LOGO picture can be overlaid on video with 128 × 128 24bit bmp format
Live View Display	
Mount Type	Support table, wall, and ceiling mounting

Decoding Mode	Support hardware decoding and software decoding
Display Mode	<p>18 display modes in total</p> <p>Software decoding:</p> <p>Ceiling mount: fisheye view, 180 panorama view, 360 panorama view, 360 panorama + PTZ, 360 panorama + 3PTZ, 360 panorama + 6PTZ, 360 panorama + 8PTZ, 2PTZ, 4PTZ, fisheye + 3PTZ, fisheye +8 PTZ, half sphere, cylinder</p> <p>Wall mount: fisheye view, panorama view, panorama + 3PTZ, panorama + 8PTZ, 4PTZ, fisheye + 3PTZ, fisheye +8 PTZ</p> <p>Table mount: fisheye view, 180 panorama view, 360 panorama view, 360 panorama + PTZ, 360 panorama + 3PTZ, 360 panorama + 6PTZ, 360 panorama + 8PTZ, 4PTZ, fisheye + 3PTZ, fisheye +8 PTZ, cylinder</p> <p>Hardware decoding:</p> <p>Ceiling mount: fisheye view, 180 panorama view, panorama view, 4PTZ, fisheye + 3PTZ, 4PTZ fusion</p> <p>Wall mount: fisheye view, 180 panorama view, panorama view, 4PTZ, fisheye + 3PTZ, 4PTZ fusion</p> <p>Table mount: fisheye view, 180 panorama view, panorama view, 4PTZ, fisheye + 3PTZ, 4PTZ fusion</p>
Audio	
Environment Noise Filtering	Yes
Audio Sampling Rate	8 kHz/16 kHz
Audio Compression	G.711/G.722.1/G.726/MP2L2/PCM
Audio Bit Rate	64Kbps(G.711)/16Kbps(G.722.1)/16Kbps(G.726)/32-160Kbps(MP2L2)
Network	
Network Storage	Support microSD/SDHC/SDXC card (256 G), local storage and NAS (NFS,SMB/CIFS), ANR
Alarm Trigger	Motion detection, video tampering alarm, network disconnected, IP address conflicted, illegal login, HDD full, HDD error
Protocols	TCP/IP, ICMP, HTTP, HTTPS, FTP, DHCP, DNS, DDNS, RTP, RTSP, RTCP, PPPoE, NTP, UPnP, SMTP, SNMP, IGMP, 802.1X, QoS, IPv6, UDP, Bonjour
Security Measure	Password protection, HTTPS encryption, IEEE 802.1x port-based network access control, IP address filter, basic and digest authentication for HTTP/HTTPS, WSSE and digest authentication for ONVIF
General Function	One-key reset, anti-flicker, heartbeat, mirror, password protection, privacy mask, watermark, IP address filter
API	ONVIF (PROFILE S, PROFILE G), ISAPI
Simultaneous Live View	Up to 20 channels
User/Host	Up to 32 users. 3 user levels, administrator, operator and user
Web Browser	IE8+, Chrome31.0-44, Firefox 30.0-51, Safari8.0+
Interface	
Communication Interface	1 RJ45 10M/100M/1000M self-adaptive Ethernet port
Audio	1 Audio input (line in, 3.5 mm), 1 audio output (line out, 3.5 mm); 2 built-in microphone, 1 built-in speaker, mono sound
Alarm	1-ch alarm input, max. 12 V; 1-ch alarm output, max 24 VDC, 1 A
On-board storage	Built-in micro SD/SDHC/SDXC slot, up to 256 GB
Reset Button	Yes
General	
Operating Conditions	-40 °C to +60 °C (-40 °F to +140 °F), Humidity 95% or less (non-condensing)
Power Supply	12 VDC±20%, PoE (802.3af, class 0), two-core terminal block
Power Consumption	12 VDC, 0.9 A, max. 11 W PoE (802.3af, 36 to 57 V), 0.3 A to 0.2 A, max. 12 W
Protection Level (-V)	IP67, IK10
Material	Metal

Dimensions	φ 167.4 × 49.9 mm (φ 6.6" × 2.0")
Weight	Approx. 1347 g (2.97 lbs)

Dimensions



Unit: mm