

## CMIP8C42W-28M

### 4 MP Full Color Fixed Bullet Network Camera



- 1/1.8" Progressive Scan CMOS
- 2560 × 1440 @ 25fps
- F1.0 aperture, 2.8/4/6 mm fixed lens
- 120dB WDR
- H.265+, H.265, H.264+, H.264
- IP67
- Built-in micro SD/SDHC/SDXC slot, up to 256 GB
- 24/7 full time color

## Specifications

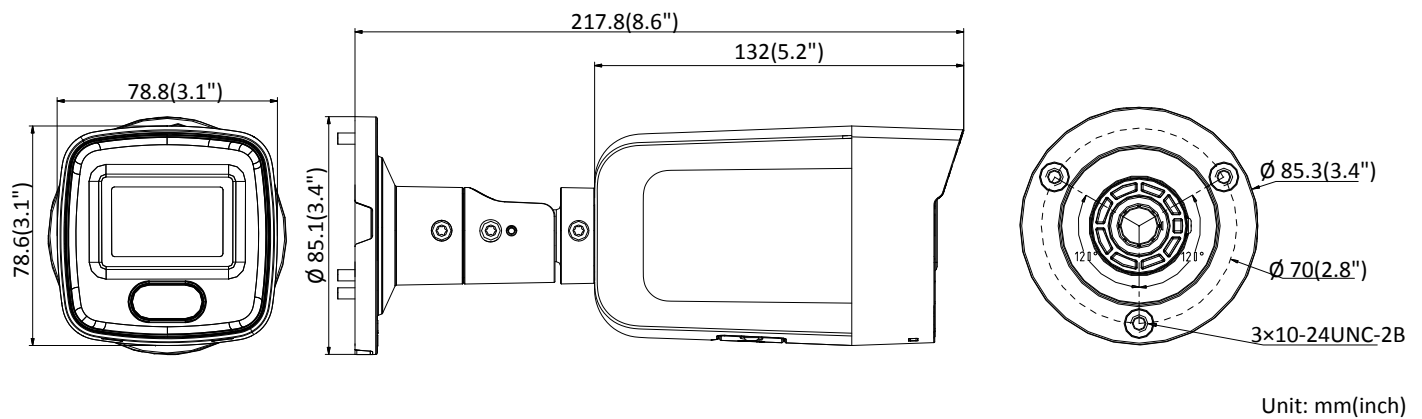
Camera	
Image Sensor	1/1.8" progressive scan CMOS
Min. Illumination	Color: 0.0014Lux @ (F1.0, AGC ON), 0 Lux with white light
Shutter Speed	1/3s to 1/100,000s
Slow Shutter	Yes
Wide Dynamic Range	120dB
Angle Adjustment	Pan: 0 to 360°, tilt: 0 to 90°, rotation: 0 to 360°
Lens	
Lens Type	2.8 mm, fixed lens
FOV	2.8 mm, horizontal FOV: 102°, vertical FOV: 51°, diagonal FOV: 125°
Aperture	F1.0
Lens Mount	M16
Illuminator	
White Light Range	98ft(30 m)
Video	
Max. Resolution	2560 × 1440
Main Stream	50Hz: 25fps (2560 × 1440, 2304 × 1296, 1920 × 1080, 1280 × 720) 60Hz: 24fps (2560 × 1440), 30fps(2304 × 1296, 1920 × 1080, 1280 × 720)
Sub Stream	50Hz: 25fps (640 × 480, 640 × 360, 320 × 240) 60Hz: 30fps (640 × 480, 640 × 360, 320 × 240)
Video Compression	Main stream: H.265+/H.264+/H.265/H.264 Sub-stream: H.265/H.264/MJPEG
Video Bit Rate	32 Kbps to 8 Mbps
H.264 Type	Baseline Profile, Main Profile, High Profile
H.265 Type	Main Profile
Stream Type	Main stream/Sub-stream/third stream
Simultaneous Live View	Up to 6 channels
Scalable Video Coding (SVC)	Yes
Region of Interest (ROI)	1 fixed region for each stream
Network	
API	ONVIF (PROFILE S, PROFILE G), ISAPI, SDK
Protocols	TCP/IP, ICMP, HTTP, HTTPS, FTP, DHCP, DNS, DDNS, RTP, RTSP, NTP, UPnP, SMTP, IGMP, 802.1X, QoS, IPv6, UDP, Bonjour, SSL/TLS
User/Host	Up to 32 users. 3 user levels: administrator, operator and user
Security	Password protection, complicated password, HTTPS encryption, watermark, IP address filter, basic and digest authentication for HTTP/HTTPS, WSSE and digest authentication for ONVIF, RTP/RTSP OVER HTTPS, Control Timeout Settings, Security Audit Log, TLS 1.2
Network Storage	microSD/SDHC/SDXC card (256 GB), local storage and NAS (NFS,SMB/CIFS), ANR
Web Browser	IE8+, Chrome41.0-44, Firefox30.0-51, Safari8.0-11

<b>Image</b>	
Day/Night Switch	Day/Night
Image Enhancement	BLC, HLC, 3D DNR
Image Settings	Saturation, brightness, contrast, sharpness, AGC, and white balance are adjustable by client software or web browser
S/N Ratio	>50dB
<b>Interface</b>	
RS-232	RS-232 serial port control
On-board Storage	Built-in micro SD/SDHC/SDXC slot, up to 256 GB
Hardware Reset	Yes
Communication Interface	1 RJ45 10M/100M self-adaptive Ethernet port
<b>Smart Feature-Set</b>	
Basic Event	Motion detection, video tampering alarm, exception (IP address conflict, illegal login, HDD full, HDD error)
Premier Protection	Intrusion detection, line crossing detection
<b>General</b>	
Web Client Language	English, Russian, Italian, French, Polish, Portuguese, Spanish, Turkish
General Function	One-key reset, anti-flicker, heartbeat, mirror, password protection, privacy masks, IP address conflict, flash log
Software Reset	Yes
Linkage Method	Upload to FTP/NAS/memory card, notify surveillance center, send email, trigger capture
Storage Conditions	-30 °C to 60 °C (-22 °F to 140 °F)
Startup and Operating Conditions	-30 °C to 60 °C (-22 °F to 140 °F)
Power Supply	12 VDC ± 20%, PoE: 802.3af
Power Consumption and Current	12VDC, 0.5 A, max. 6 W; PoE:(802.3af, 36V to 57V), 0.2 A to 0.1 A, max. 7.5 W
Power Interface	Ø5.5 mm coaxial power plug
Material	Metal
Camera Dimension	85 × 85 × 218 mm (3.3" × 3.3" × 8.6")
Package Dimension	315 × 137 × 141 mm (12.4" × 5.4" × 5.6")
Camera Weight	0.710 kg (1.6 lb.)
With Package Weight	1.035 kg (2.3 lb.)
<b>Approval</b>	
Protection	Ingress protection: IP67 (IEC 60529-2013)
EMC	CE-EMC (EN 55032: 2015, EN 61000-3-2: 2014, EN 61000-3-3: 2013, EN 50130-4: 2011 +A1: 2014); RCM (AS/NZS CISPR 32: 2015); IC (ICES-003: Issue 6, 2016); KC (KN 32: 2015, KN 35: 2015)

Safety	UL (UL 60950-1); CB (IEC 60950-1:2005 + Am 1:2009 + Am 2:2013); CE-LVD (EN 60950-1:2005 + Am 1:2009 + Am 2:2013); BIS (IS 13252(Part 1):2010+A1:2013+A2:2015); LOA (IEC/EN 60950-1)
Environment	CE-RoHS (2011/65/EU); WEEE (2012/19/EU); Reach (Regulation (EC) No 1907/2006)

\* Listed resolutions are only selectable options. It does not mean that all streams can work at their maximum resolution at the same time.

## Dimension



## Accessory



**LTB379**  
Corner Mount



**LTB378**  
Vertical pole mount