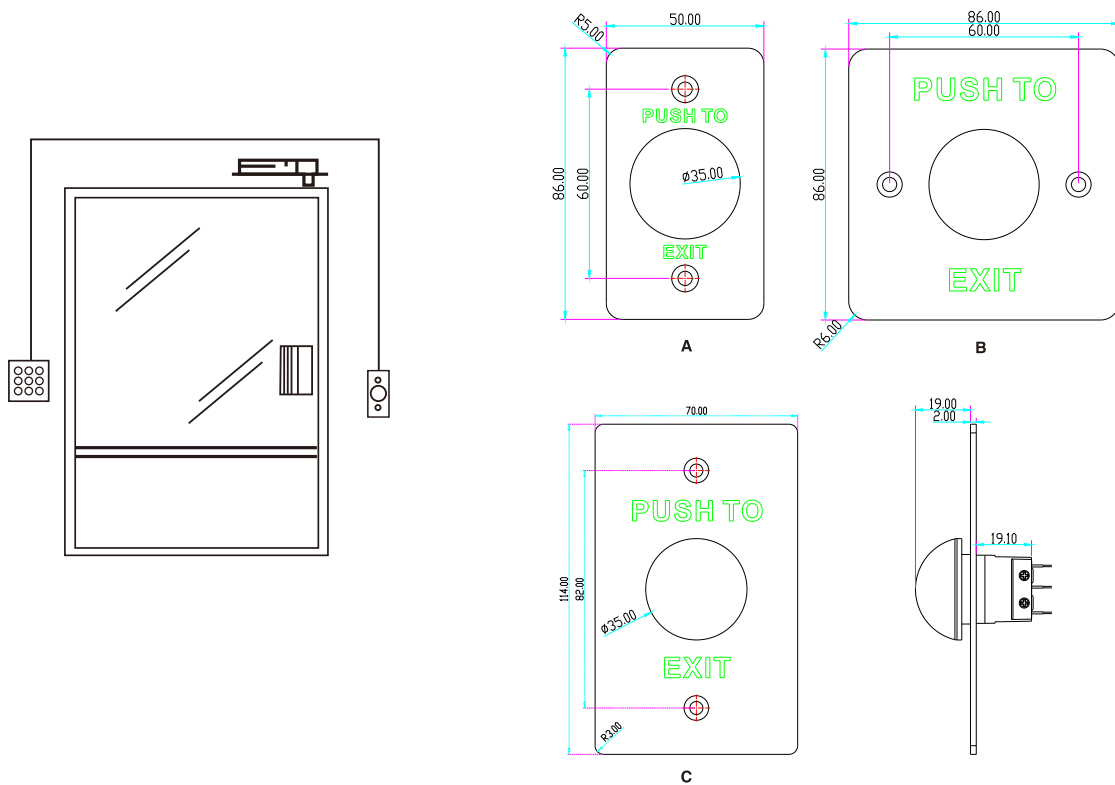


Door Release Button

Specification

- Size: 86Lx50Wx40.1H(mm) A
- 86Lx86xW40.1(mm) B
- 114Lx70xW40.1(mm) C
- Standard Structure: Stainless steel
- Current Rating: 3A@36VDC Max
- Output Contact: NO/NC/COM
- Mechanical Life: 500000 tested
- Suitable for Door: Hollow Door
- Operating temp: 10~+55°C(14-131F)
- Operating Humidity: 0-95%(relative humidity)
- Panel Material: 304 stainless steel panel with wire drawing finish
- Weight: 0.18kg/0.2kg/0.2kg

Installation & size



Illustration

