

SensingEdge

Applications

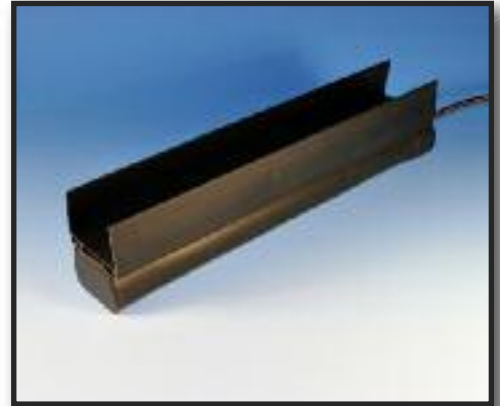
- **Sectional Doors**
- **Scissors Lifts**
- **Sliding Gates**
- **Conveyors**
- **Presses**

About the ME123...

This pressure sensitive electric edge can be adapted to suit a wide variety of applications. When touch activated, the ME123 sends an immediate electrical signal to controls to stop and/or reverse operations. The ME123 SensingEdge has been designed to fit most sectional doors.

OPTIONS:

- Color: Caution yellow (ME123Y)
- 4 wire fail-safe configuration (highly recommended)
- Soft ends
- Coil Cord attached
- Retracting Reel
- 4 wire fail-safe Control Panel (MFSC-100)
- 4 wire fail-safe intrinsically safe Control Panel (FSIS-35-4)
- Air-Wave (MAW123) Pneumatic (MEP123)
- Left, Right, End, or Universal wire outlet



TECHNICAL SPECIFICATIONS:

Color:	Black
Length:	per specification to nearest 1/4
Lead Wire:	SJTO, 18 gauge, 2ft. length or 22 gauge universal
Sensitivity:	nominal 6-8 psi
Electrical Diagram:	2 wire N.O. configuration
Electrical Requirements:	24 volt AC or DC, 1/2 amp
Mechanical Diagram:	See drawings on reverse side
Contact Element:	Alumaglas®
Materials:	Extruded Flexible PVC
Mounting Channel:	High - Density PVC
Temperature Range:	-30°F to +155°F
Wire Outlet Location:	Right side, Left side or End

FUNCTIONAL BENEFITS:

- Touch Sensitive signalling
- Small profile
- Easy to Install
- Optional Safety Yellow color provide visual recognition of hazardous area
- Stock sizes available for same day shipment
- Mounts vertically or horizontally
- ANSI/UL325 Recognized Component



Model # ME123

SensingEdge

Installation

Slide ME123 SensingEdge into proper channel.
To attach mounting channel, place in desired location.
Drill 1/8" holes through channel and into mounting surface. Secure with screws.

Note: For safe operation, use a maximum 24 volt, 1/2 amp AC or DC power. For detailed installation and wiring instructions, contact MillerEdge, Inc.

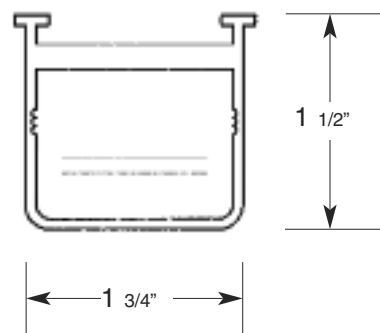
Care of the ME123. . .

Minimal care is required for the ME123 since it is manufactured with only the most durable materials and the highest quality control standards. However, SensingEdges must be examined once per month for cuts or punctures which could damage internal components. With the SensingEdge attached and the door open place a 1" thick wood block on the floor in the door's path at approximately the center of the door. Activate the opener. The door opener must reverse and open the door when it comes in contact with the wood. If it does not, a qualified technician must adjust, repair, or replace the necessary parts. Check wiring to be sure connections are secure. Check reversing mechanism often to assure integrity of operations. When properly maintained, the ME123 offers years of trouble free operations.

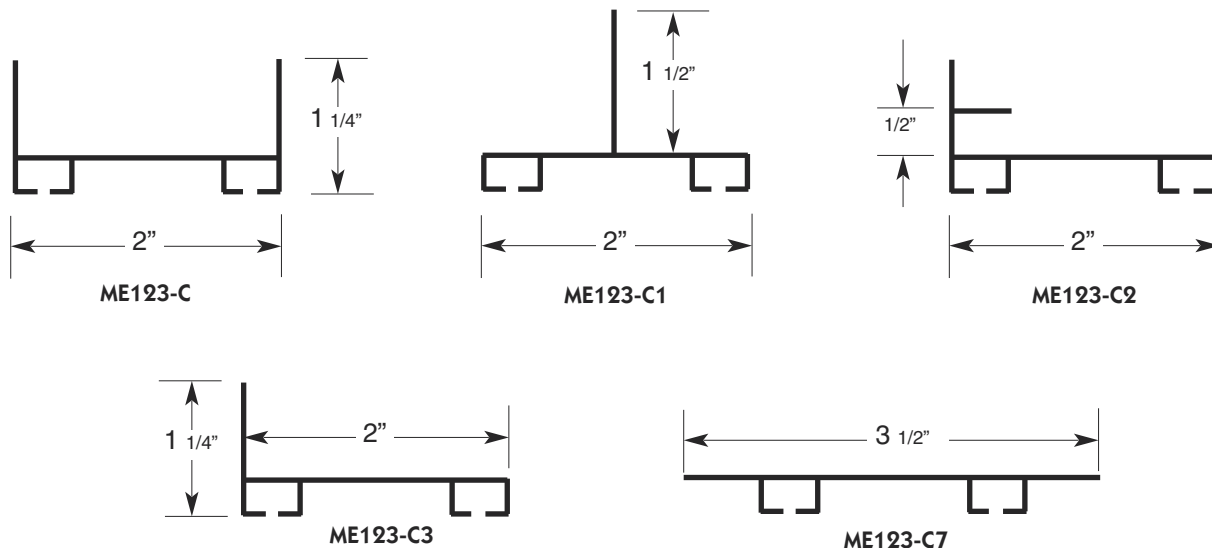
Warranty

We will replace within one year of shipment from our factory, any SensingEdge™ subject to normal use which is found to have defective materials or workmanship, as determined solely by our factory representative. Replacements will be shipped to you freight collect. This warranty is void where evidence of misuse or abuse is present.

Mechanical Diagrams:



Mounting Channels:



Contact MillerEdge to ensure compatibility with your operating controls. U.S. Patent #4,396,814
Canadian Patent #1,048,066. Other Patents apply.

ME123_Spec_20110711